

SR31

Flexible Stand Instructions

Anleitung zum flexiblen Stand

Instrucciones para base flexible

Instructions pour le support flexible

플렉시블 스탠드 지침

Instruções para a Base Flexível

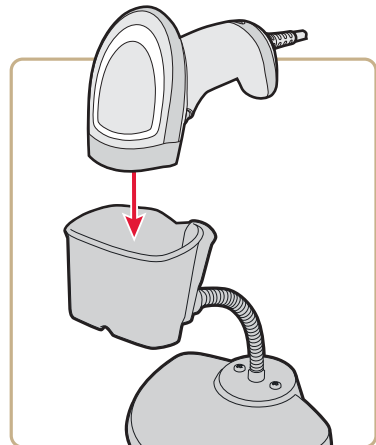
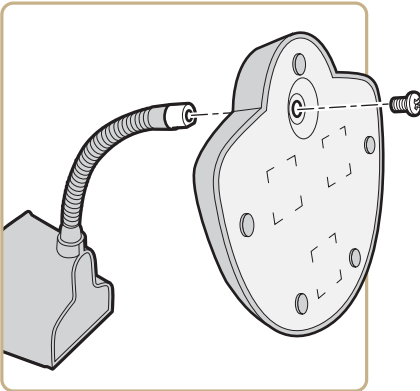
Инструкции к съемной подставке

คำแนะนำการใช้งานชนิดปรับได้

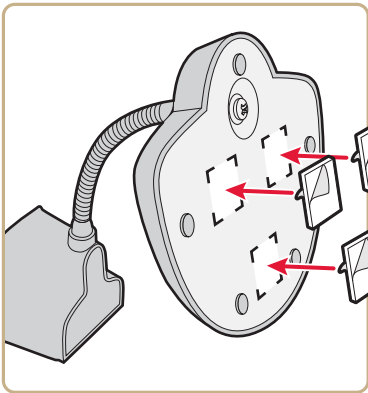
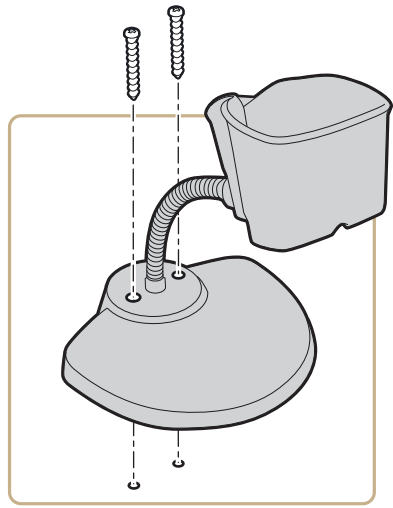
Esnek Stand Talimatları

灵活支架说明

彈性支架說明



Optional
 Optional
 Opcional
 Optionnel
 선택적
 Opcional
 Дополнительно
 อุปกรณ์เสริม
 isteğe bağlı
 可选
 選購



Worldwide Headquarters
 6001 36th Avenue West
 Everett, Washington 98203
 U.S.A.

tel 425.348.2600

fax 425.355.9551

www.intermec.com

© 2013 Intermec Technologies Corporation. All rights reserved.



SR31 Flexible Stand Instructions



P/N 943-402-001