

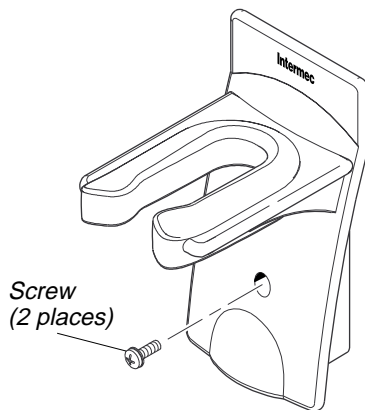
This quick reference guide describes how to assemble and use the wall-mount scanner holder with a 1550 series laser scanner.

1550 Series Wall-Mount Scanner Holder Quick Reference Guide

The 1550 series wall-mount scanner holder is a convenient way to store your scanner when it is not in use. The scanner holder comes with two screws. If your scanner holder is damaged or missing screws, please call your local Intermec representative.

Installing and Using the Scanner Holder

To use the scanner holder, attach it to a wall or vertical surface using the screws provided. Store your scanner by placing it window-first into the extending handles.



155XQ.001

Intermec
Technologies Corporation

6001 36th Avenue West
P.O. Box 4280
Everett, WA 98203-9280

© 1998 Intermec
All Rights Reserved

P/N 063811-002