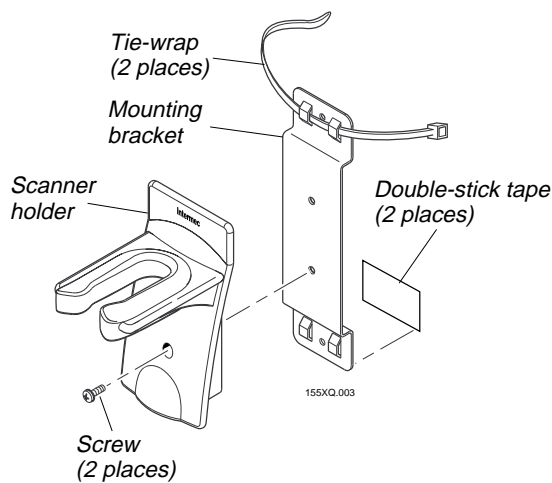


This quick reference guide describes how to assemble and use the vehicle-mount scanner holder with a 1550 series laser scanner.

1550 Series Vehicle-Mount Scanner Holder Quick Reference Guide

The 1550 series vehicle-mount holder is a convenient way to store your scanner when it is not in use. It is designed to securely hold your scanner on a moving vehicle. The vehicle mount holder is shipped with:

- Scanner holder
- Mounting bracket
- Double-stick tape (2)
- Tie-wrap (2)
- Screw (2)



If any items are damaged or missing, please call your local Intermec representative.

Assembling the Vehicle-Mount Scanner Holder

The vehicle-mount scanner holder comes in two pieces: the mounting bracket that attaches to the vehicle and the scanner holder that holds the scanner.

Attaching the Mounting Bracket

Attach the mounting bracket to one of the vehicle posts using double-stick tape and tie-wraps.

1. Position the double-stick tape on the back side of the top and bottom portion of the mounting bracket and press onto the vehicle post.
2. Slide the tie-wraps through the two slots on the top and bottom portions of the mounting bracket and around the post. Tighten the tie-wraps and cut the excess.

Attaching the Scanner Holder

After you have secured the mounting bracket to the vehicle, attach the scanner holder.

1. Insert the two screws through the vehicle mount holder into the mounting bracket.
2. Tighten the screws to secure the vehicle mount holder to the mounting bracket.

Using the Scanner Holder

To use the scanner holder, place the scanner window-first into the extending handles.

Intermec
Technologies Corporation

6001 36th Avenue West
P.O. Box 4280
Everett, WA 98203-9280

© 1998 Intermec
All Rights Reserved

P/N 063940-002