



M90 Series Portable Data Entry Unit

USER'S GUIDE



P/N: M90901
Revision C
September 2001

► NOTICE

The information contained herein is proprietary and is provided solely for the purpose of allowing customers to operate and service Intermec manufactured equipment and is not to be released, reproduced, or used for any other purpose without written permission of Intermec.

Disclaimer of Warranties. The sample source code included in this document is presented for reference only. The code does not necessarily represent complete, tested programs. The code is provided **“AS IS WITH ALL FAULTS.” ALL WARRANTIES ARE EXPRESSLY DISCLAIMED, INCLUDING THE IMPLIED WARRANTIES OF MERCHANTABILITY AND FITNESS FOR A PARTICULAR PURPOSE.**

We welcome your comments concerning this publication. Although every effort has been made to keep it free of errors, some may occur. When reporting a specific problem, please describe it briefly and include the book title and part number, as well as the paragraph or figure number and the page number.

Produced by:
Intermec International Inc.
Sovereign House
Vastern Road
Reading RG1 8BT
UK

ANTARES, INTERMEC, NORAND, NOR*WARE, PEN*KEY, ROUTEPOWER, TRAKKER, and TRAKKER ANTARES are registered trademarks and ENTERPRISE WIRELESS LAN, INCA, Mobile Framework, MobileLAN, TE 2000, UAP, and UNIVERSAL ACCESS POINT are trademarks of Intermec Technologies Corporation.

© INTERMEC INTERNATIONAL CORPORATION 1994

Acknowledgments

AS/400, *IBM*, *IBM PC*, *Micro Channel*, *PS/2*, and *OS/2* are registered trademarks and *AIX* and *Presentation Manager* are trademarks of International Business Machines Corporation.

CP/M-80 is a registered trademark of Digital Research, Inc.

Intermec International Inc. is a subsidiary of Intermec Technologies Corporation, U.S.A.

Microsoft, *MS*, and *MS-DOS*, and *Windows*, are registered trademarks and *Visual Basic for Windows*, and *Windows for Pen* are trademarks of Microsoft Corporation.

Turbo Pascal is a registered trademark and *Borland C* and *C++ for Windows* are trademarks of Borland International, Inc.

CONTENTS



M90 PDE Unit

Introduction	1
General	1
Customized Version	2
Technical Description	2
Customer Support	3
Factory Service	3
Web Site	3
Start Up of New M90 PDE Unit	4
Main Battery Replacement	5
Backup Battery Replacement	6
Downloading from Host Computer	7
Kermit Communications Program	7
Windows Hyper Terminal Method	7
Set up Host Computer	8
Set up Protocol via Hyper Terminal	11
Download the Program MYPROG.EXE to the M90 PDE Unit	12
Review Hyper Terminal Settings	14
Operation, General	15
On/Off	15
Keyboard	15
Ready Mode	15
User Mode	16
Special Keys	17
Enter Data	17
Key Entry	18
Bar Code Reader Entry	18
Downloading Data from Host Computer	18
Start Application Program	18

Battery Replacement	19
Replacing Main Battery	19
Replacing Backup Battery	19
Battery Life	20
Peripherals	21
Modem Cable	21
PC Cable	21
Bar Code Wands	21
Dock	21
Vehicle Dock	22
Battery Pack Charging	22
Regular Battery Charging	23
Quick Charging of Battery in M90 PDE Unit	24
Quick Charging of Battery Outside M90 PDE ...	25
Maintenance	26
Fault Finding and Error Codes	26
No Text in Display	26
M90 PDE Unit Locked in Position	26

FIGURES

Figure 1-1 Sliding Main Battery in M90	5
Figure 1-2 Backup Battery in M90 Without Cover	6
Figure 1-3 Connecting M90 to AC Wall Outlet Via DC Power Adapter	23
Figure 1-4 Connecting Dock to AC Wall Outlet	24
Figure 1-5 Dock Chamber and Pocket	25

TABLES

Table 1-1 Kermit Server Program Commands	7
--	---

INDEX

M90 PDE Unit



INTERMEC[®] hand-held terminals are used in a variety of applications throughout the world whenever data needs to be collected.

Introduction

The M90 Portable Data Entry (PDE) Unit is one of the most versatile and flexible data collection devices available today.

Your M90 PDE unit comes with sufficient memory for most data collection applications with added features to ensure data storage integrity, barcode scanning, and communication options.

Intermec International Inc. of Intermec Technologies Corporation hopes that this manual will help you get acquainted with the M90 features and allow you maximum productivity and satisfaction from using this unit.

General

The M90 PDE unit allows you to enter data with the keyboard or integrated barcode scanner. Pen and paper are now redundant. The stored data is later transferred to your host computer either directly via a cable or over the telephone network via a modem.

Customized Version

Your M90 PDE unit has more than likely been adapted to suit your specific requirements. This has been achieved by programming your unit with your special version of the M90 program. The functions described in this manual can therefore vary from your customized version. For details, refer to separate instructions supplied by your System Partner.

Technical Description

Keyboard	25 keys
Display	100x65 pixel LCD mono screen Text modes 4x12 or 8x16 characters
Backlighting	LED
Dimensions	Length: 176 mm Height: 27 mm Width: 52 mm
Weight	245g with batteries
Temperature	Operate: -10 to 50° C Storage: -20 to 70° C
Humidity	10 to 95% RH (noncondensing)
Memory	256 KB Flash ROM (for O/S and application) 2 MB internal SRAM The SRAM can be setup as RAM disk, program space, or any combination thereof.
Power Supply	1500 mAh NiMH rechargeable removable pack Battery caddy for two AA cells (<i>optional</i>) <i>Battery caddies are not available for units with CCD scanners</i> CR2032 backup battery
Operation Time	One bar code scan every five seconds 12 to 14 hours with laser scanner 7 to 8 hours with CCD scanner

Data Retention Time	11 weeks on main battery, two years on backup battery (<i>normal temperature</i>)
Data Transmission	Asynchronous RS-232 level serial port capable of speeds up to 57600 bps. (RJ-45 socket on unit or Office dock, Kermit as standard program download) RS-485 Local Area Network via depot dock
Real Time Clock	Built-in real time clock with calendar.
Software	MS-DOS emulation operating system, subset of version 3. Supported Program Languages are Microsoft C versions 6 and up, Borland C++ versions 3 and up, Borland Turbo Pascal versions 6 and up
Accessories	<ul style="list-style-type: none">• External Tethered scanning capability• Serial interface cable• Charger• Vehicle dock• Depot dock• Office dock• AA battery cell caddy <p style="text-align: center;"><i>Battery caddies are not available for units with CCD scanners</i></p>

Customer Support

Factory Service

If your unit is faulty, you can ship it to the nearest authorized Service Center for factory-quality service.

Web Site

Visit our Web site at <http://www.intermec.com> to download many of our current manuals in PDF format. To order printed versions of the Intermec manuals, contact your local Intermec representative or distributor.

Start Up of New M90 PDE Unit

Before you can use the M90 PDE unit after unpacking it, you must do two things:

1. Insert the main batteries and wait for the prompt to appear in the “Ready” mode.
2. Start the internal program by loading an application program from a host computer.

► **NOTE:**

It is only necessary to follow these steps once after taking delivery of the M90. If your M90 is delivered with inserted batteries and application program these procedures normally do not apply.

On the next two pages are instructions for replacing either the main battery or the backup battery. Have the M90 powered off and turned over to the back before starting either procedure.

Main Battery Replacement

1. Slide tab from right to left (see Figure 1-1).
2. Slide the main battery pack down and out from the battery compartment.
3. Insert the new main battery pack up into the battery compartment.
4. Slide the tab from left to right to secure the battery.

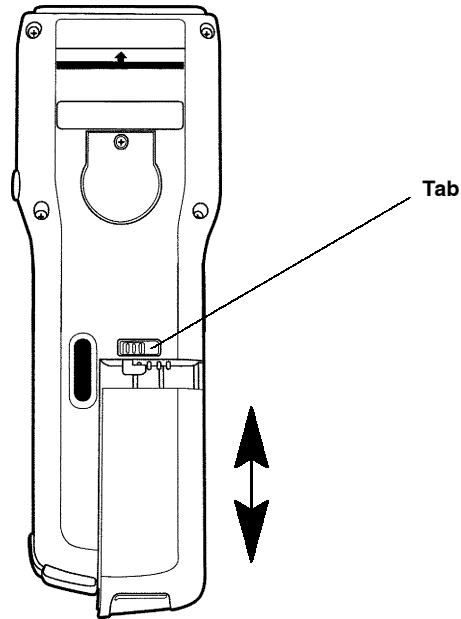


Figure 1-1
Sliding Main Battery in M90

Backup Battery Replacement

► **NOTE:**

The main battery must remain in place during replacement of the backup battery, otherwise the data in the RAM will be lost.

1. Unscrew and remove the backup battery cover with a Phillips screwdriver, then carefully remove the old lithium battery.
2. Insert a new lithium battery into the holder. Be sure to align the “+” symbol on the lithium battery with the screw hole in the M90 (see Figure 1-2).
3. Securely tighten the backup battery cover back onto the M90.

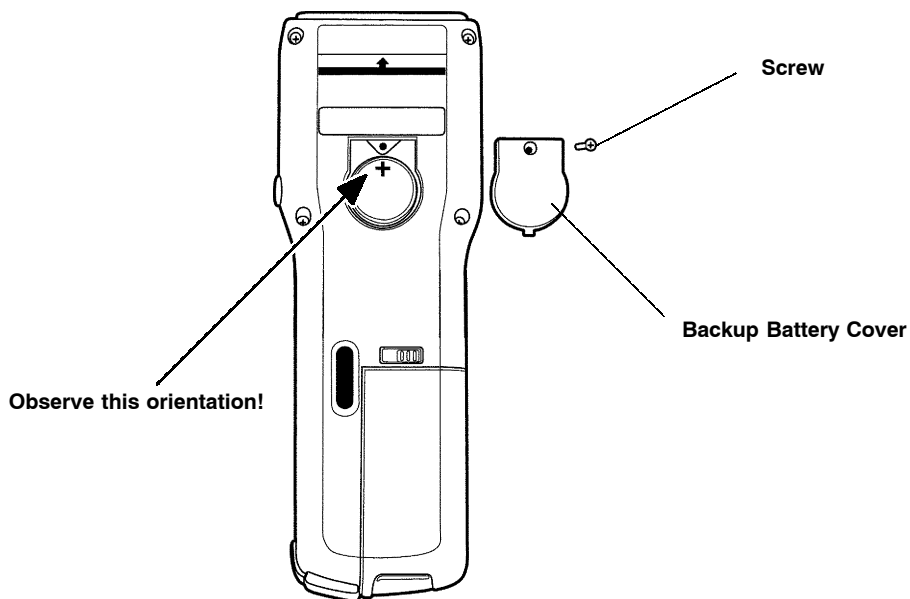


Figure 1-2
Backup Battery in M90 Without Cover

Downloading from Host Computer

Connect the host personal computer (PC) to the M90 PDE unit with a serial cable null modem. Select "COM" in the User mode and the M90 enters the Kermit server mode with default communication parameters 19200 bps, 8 bit, 1 stop, no parity, and no flow control. Table 1-1 lists commands understood by the M90.

Table 1-1
Kermit Server Program Commands

Command	Description
SEND program (download)	Send a program from the PC to the M90 PDE unit.
GET data	Send a collected data file from the M90 to the PC.
REMOTE DIR	Display the directory of files stored in the M90 RAM disc.
REMOTE DEL filename	Delete a program or data file in the M90.

Kermit Communications Program

To set up the PC to talk to the M90 PDE unit using a Kermit communications program, consult your manual for the Kermit communications program

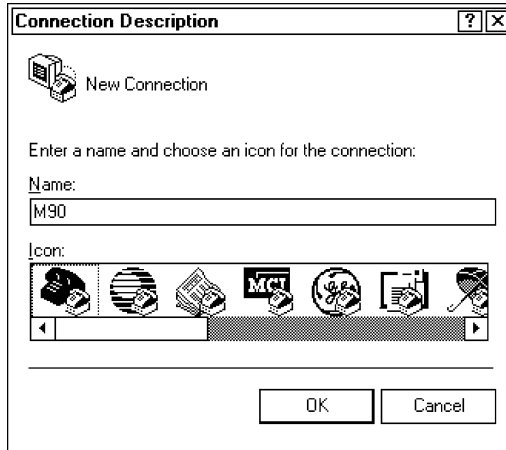
Windows Hyper Terminal Method

If you are using Hyper Terminal on a Windows 95 or 98 PC, do as follows to download a file to the M90. Hyper Terminal is not optimized for large files or for daily use in an application, but is an easier method of downloading files to the M90.

Set up Host Computer

Do the following to set up the host computer:

1. From the Windows desktop, select **Start** → **Programs** → **Accessories** → **Hyper Terminal** to access the contents of the Hyper Terminal directory.
2. Double-click the **Hypertrm.exe** icon (shown left) to access Connection Description to create a new connection icon.



3. Enter a descriptive title for this connection in **Name**, such as “M90,” and select an icon from **Icon** to illustrate this connection. Click **OK** to continue.

- 4. Select the applicable “Direct to Com” option from **Connect using**, then click **OK** to continue.

Phone Number [?] [X]

 M90

Enter details for the phone number that you want to dial:

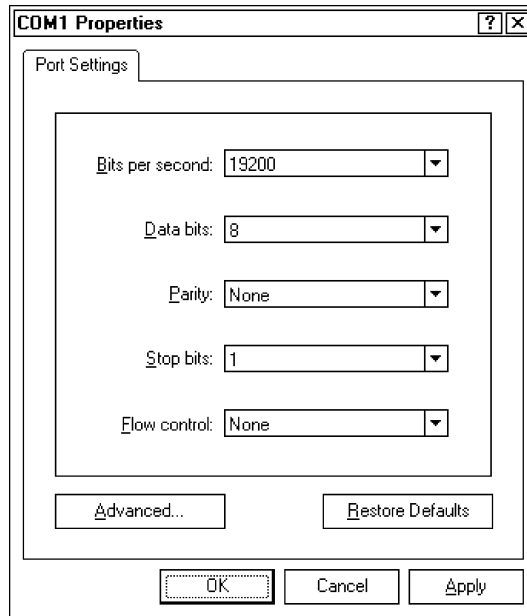
Country code:

Area code:

Phone number:

Connect using:

5. Use the applicable COM Properties to set up the proper port settings.



- ▶ Set **Bits per second** to “19200.”
- ▶ Set **Flow control** to “None.”

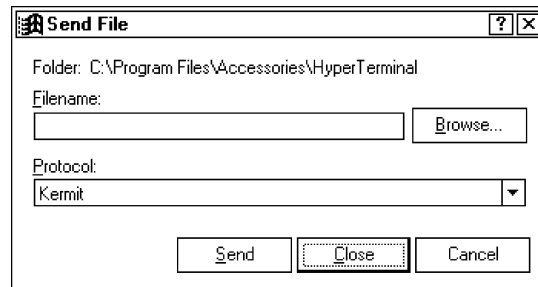


Click **Apply**, then click **OK**. A communications icon (like the one shown left) appears for this connection within the Hyper Terminal directory.

Set up Protocol via Hyper Terminal

Double-click the communications icon to access the Hyper Terminal.

1. From the Hyper Terminal title bar, select **Transfer** → **Send File** to access Send File.



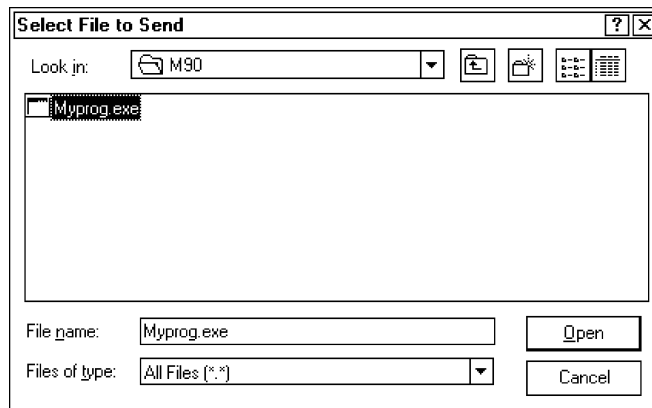
2. Select “Kermit” from **Protocol**, then click **Close** to exit.
3. From Hyper Terminal, select **File** → **Save** to exit.

The host computer is now ready to send and receive files. Your connection is saved, for later use, under the name and icon created.

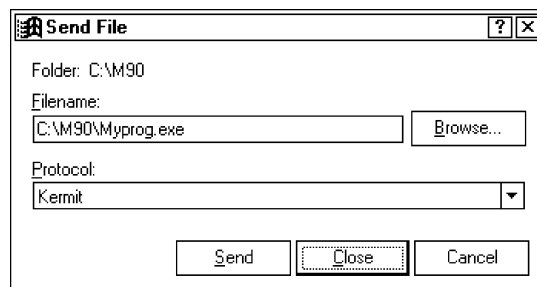
Download the Program MYPROG.EXE to the M90 PDE Unit

Do the following to download files from the host computer to the M90 PDE unit. Repeat these steps for each file to be downloaded:

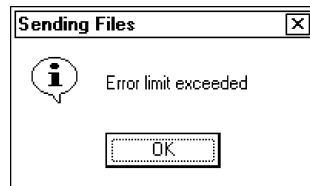
1. From Hyper Terminal, select **Transfer** → **Send File** to access Send File (shown on page 11).
2. Use **Browse** to access Select File to Send and locate the directory with files for the M90. Double-click the **MYPROG.EXE** file.



3. **MYPROG.EXE** should appear in **Filename**. If not, go back to Select File to Send and select MYPROG.EXE again.



4. Click **Send** to download MYPROG.EXE to the M90 PDE unit. File transmission progress is displayed.
 - ▶ If the file is sent successfully, the status screen disappears.
 - ▶ If the transmission fails, the following Sending Files message appears. Click **OK** to exit, then try to send MYPROG.EXE again. Likely problems could include faulty baud rate settings or cable connections.



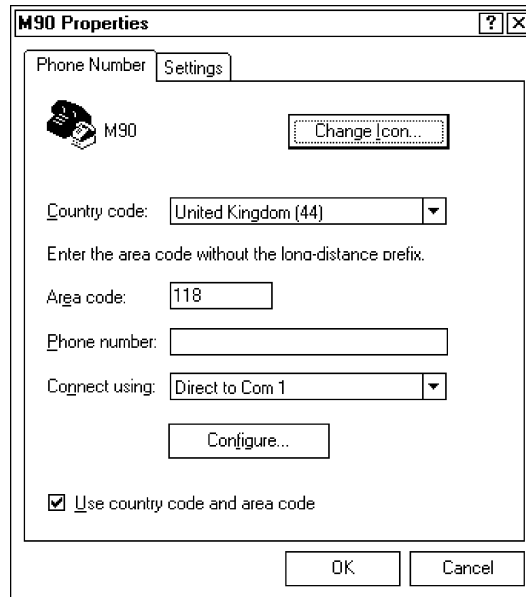
5. Press and release **[FN]** and press **▶** to exit Server Mode and return to Ready Mode.
6. Type "DIR" at the Ready Mode prompt, then press **[ENT SCAN]** for a list of files. Ensure that MYPROG.EXE is listed. If listed, go to the next page. If not, go to page 12 to download the program again.

Review Hyper Terminal Settings



Do the following to change or view Hyper Terminal settings:

1. Double-click the communications icon (like the one shown left) to access the Hyper Terminal.
2. From the Hyper Terminal, select **File** → **Properties** to access M90 Properties.



3. Change the COM port via **Connect using** and the icon with **Change Icon**. Click **Configure** to access the COMx Properties and change the communication port settings.

Click **OK** to save the changes or click **Cancel** to exit this screen without saving the changes.

Operation, General

Your M90 PDE unit has more than likely been adapted to suit your specific requirements by programming the M90 PDE unit with an adapted application program. Thus, you must follow the instructions supplied by your local dealer.

On/Off

The M90 PDE unit has no ON/OFF switch. Press the **[S1]** and **[FN]** keys simultaneously to turn the M90 PDE unit on. To turn the M90 PDE unit off, press the **[S1]** and the **[FN]** keys simultaneously again.

The M90 PDE unit has an automatic “auto off” feature to reduce power drain from the internal main batteries. This function will turn off the unit if no key has been pressed for one to nine minutes (five minutes is default). The automatic “Auto Off” feature can be disabled.

► **NOTE:**

Your terminal might be equipped with a customized keyboard and the keys may not correspond to this manual.

Keyboard

The keyboard consists of alphanumeric keys. Each key has several functions. By pressing **[S1]**, **[S2]**, or **[S3]** before pressing a key, the left character, the center character, or the right character above the keys are entered.

Ready Mode

After a warm or cold start, the Liquid Crystal Display (LCD) will indicate the following.

M90 VerX.XX	; Model code and version number
MEM XXXX KB	; Size of total installed RAM
>	; Prompt, shows M90 is in Ready mode

User Mode

Press and release the [FN] key, then press and release the ► key in Ready mode to invoke the User mode with the following screen displayed:

- | | |
|--------|--------|
| 1. RUN | 2. TER |
| 3. COM | 4. DIR |
| 5. ERA | 6. TYP |
| 7. CPY | 8. SET |

► **NOTE:**

For the "RUN," "ERA," and "TYP" commands, use ◀ and ▶ keys to scroll and select another file.

You can use the corresponding number, 1–8, or use the ▲, ▼, ◀, or ▶ keys to move the cursor, and then press the [ENT SCAN] key to select a function.

- RUN** Runs the highlighted executable program
TER Terminal mode operation
COM Communication function
DIR Display M90 disc directory
ERA Erase the highlighted file
TYP Type the highlighted file
CPY Allows you copy data from a source and transfer to a destination, valid combinations are:

<u>Source</u>	<u>Destination</u>	<u>Description</u>
file1	file2	Copy file1 to file2
file1	COM	Output content of file1 to serial port
file1	CON	Output content of file1 to LCD
COM	file1	Input data from serial port to file1
CON	file1	Input data from keyboard to file1, press the [FN] key, release it, then press and release the ► key to end the data input.

- SET** Set the parameters of the M90 PDE unit

To return to the Ready mode, you have to press the [FN] key, release it, then press and release the ► key.

Special Keys

S1, S2 and S3

The SHIFT keys allow you to reach the alternate functions above each key. [S1] enables the left function above the keys, [S2] the center, and [S3] the right function.

F1, F2, F3, F4, F5, F6, F7 and F8

These keys are application specific keys. Refer to the instructions supplied by your local dealer.



Move to the previous field.



Move to the previous record.



Move to the next record.

[S1] + ▲

Moves the cursor to the first record.

[S1] + ▼

Moves the cursor to the last record.

[DEL]

Moves the cursor one position left and clears that position.

[ENT SCAN]

Enters what you have just written to the M90 PDE unit.

Or, if in review mode, it moves to the next field, when in a bar code reading field it will activate the bar code scanner.

Enter Data

Enter data into the M90 PDE unit via any of the following:

- ▶ Pressing keys on the keyboard.
- ▶ Using the built-in bar code scanner or a bar code wand or scanner.
- ▶ Combining keyboard entry with bar code inputs.
- ▶ Downloading data from a host computer.

Key Entry

Enter data in response to the display prompts by pressing the appropriate keys. Conclude each data record by pressing the [ENT SCAN] key.

Bar Code Reader Entry

Enter the data in response to the display prompts by pressing the [ENT SCAN] key and point the scanner beam to the label.

- ▶ The LED above the display is *red* as long as the scanner beam is reading the bar code.
- ▶ When data is accepted, the LED turns *green* and the M90 PDE unit emits a short beep.

Downloading Data from Host Computer

See *Downloading from Host Computer* on page 7.

Start Application Program

To start the application program, either enter the file name in the Ready mode or use the **RUN** command in the User mode. The executable program has the extension **EXE**.

Battery Replacement

Replacing Main Battery

Replace *alkaline* batteries when the M90 PDE unit displays:

! WARNING !
MAIN BATTERY
VOLTAGE LOW

or if you see small battery icons to the right of the display. These indicate that the main battery should be replaced within approximately one hour, otherwise, the keyboard will be set in the “Off” position (see page 15). These warning will periodically repeat until the battery is replaced.

If the main battery is not replaced, the M90 will be Off and if the backup battery is at its full capacity, the data will be safe for two years. If, however, the backup battery is low on power, the data will remain safe for three weeks.

If you are using a rechargeable battery, the M90 will have to be charged for approximately half an hour after the battery low warning occurs. See page 22 for details.



WARNING:

Data will be lost if the main battery is exhausted and the backup battery is too low.

Replacing Backup Battery

Replace the lithium backup battery if the M90 displays the following message. See page 6 for details.

! WARNING !
BACKUP BATT.
VOLTAGE LOW

► **NOTE:**

The main battery must remain in place during replacement of the backup battery.

Battery Life

► **NOTE:**

These approximate time periods are estimated for general usage. Your machine and configuration may differ.

Continuous Operation:

When data is continuously entered and the display remains on (not communicating).

- ▶ Alkaline batteries (*see note*) Five hours
- ▶ Rechargeable batteries Five hours

Normal Daily Use:

When data is entered at a normal rate one barcode scan every five seconds.

- ▶ Alkaline batteries (*see note*) 12 to 14 hours
- ▶ Rechargeable batteries
 - Laser Scanner option 12 to 14 hours
 - CCD Scanner option 7 to 8 hours

No Active Use:

When the M90 PDE unit is not used or turned off.

- ▶ Main batteries:
 - Alkaline batteries (*see note*) Two months
 - Rechargeable batteries Two months
- ▶ Backup battery Two years

When the main battery is removed, the backup battery will preserve the program and data for two years.

► **NOTE:**

Alkaline batteries are not available for units with CCD scanners.

Peripherals

Modem Cable

Connects the M90 PDE unit directly to a MODEM or via Null Modem to a PC.

PC Cable

(P/N: M90402) Connects the M90 directly to a PC.

Bar Code Wands

Different tethered bar code wands and scanners can be adapted to the M90. Ask your System Partner.

Dock

A connection box that charges the M90 while connected to a modem or a host computer. Each dock holds one M90. The docks are powered by an external wall charger supplied with the unit. Each dock has a spare battery charger.

Using the Dock

To use the dock, connect the charger and the wall socket. Then, slide the M90 into the dock. The LED marked “Charge” should turn solid *RED*, if rechargeable batteries are being used. The Charge LED will turn solid *GREEN* when the batteries are over 80 percent full. The unit is now ready for use.

The spare battery will start charging only when the unit battery is fully-charged, or there is no unit in the dock. It will take four hours to fully charge the battery in the M90, and then an additional four hours to charge the spare battery.

Vehicle Dock

A connection box, in a vehicle, that charges the M90 PDE unit while connected to a modem or a host computer. Each vehicle dock holds one M90. The vehicle docks can be powered by the vehicle battery via a power cable.

Using the Dock

To put the M90 in the vehicle dock, enter it with the top section first so that the hooks of the vehicle dock grip around the rubber grommet at the top of the M90. Then, push the bottom end of the M90 forward so that it will slide into the vehicle dock. The dock provides power and regular charging.

Battery Pack Charging

When the M90 shows the “Main battery low” message or icons, the battery pack in the M90 needs to be recharged. There are two ways to charge the battery: regular and quick charging.

Regular Battery Charging

Plug one end of a 9-volt DC power adapter into the DC-jack of the M90 PC Cable (P/N: M90402) and the other end into an ac wall outlet. The battery pack will be fully recharged after 14–16 hours.

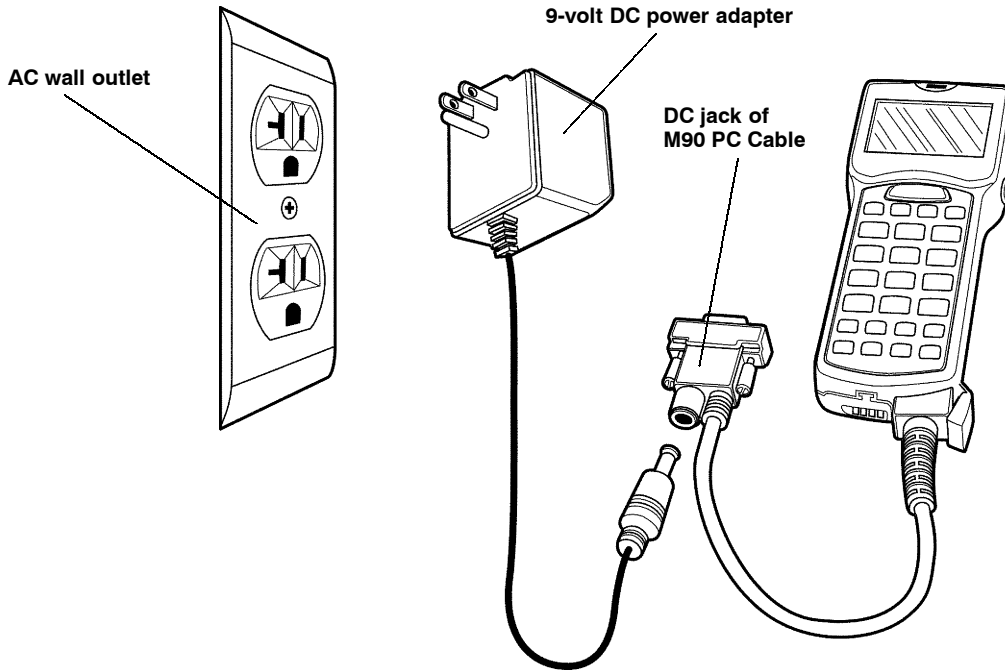


Figure 1-3
Connecting M90 to AC Wall Outlet Via DC Power Adapter

Quick Charging of Battery in M90 PDE Unit

Connect the power adapter to the dock and insert the M90 PDE unit into the chamber of the dock. The M90 battery can be fully charged in about four hours and the status of the battery charging is indicated by the LED on the front panel of the dock.

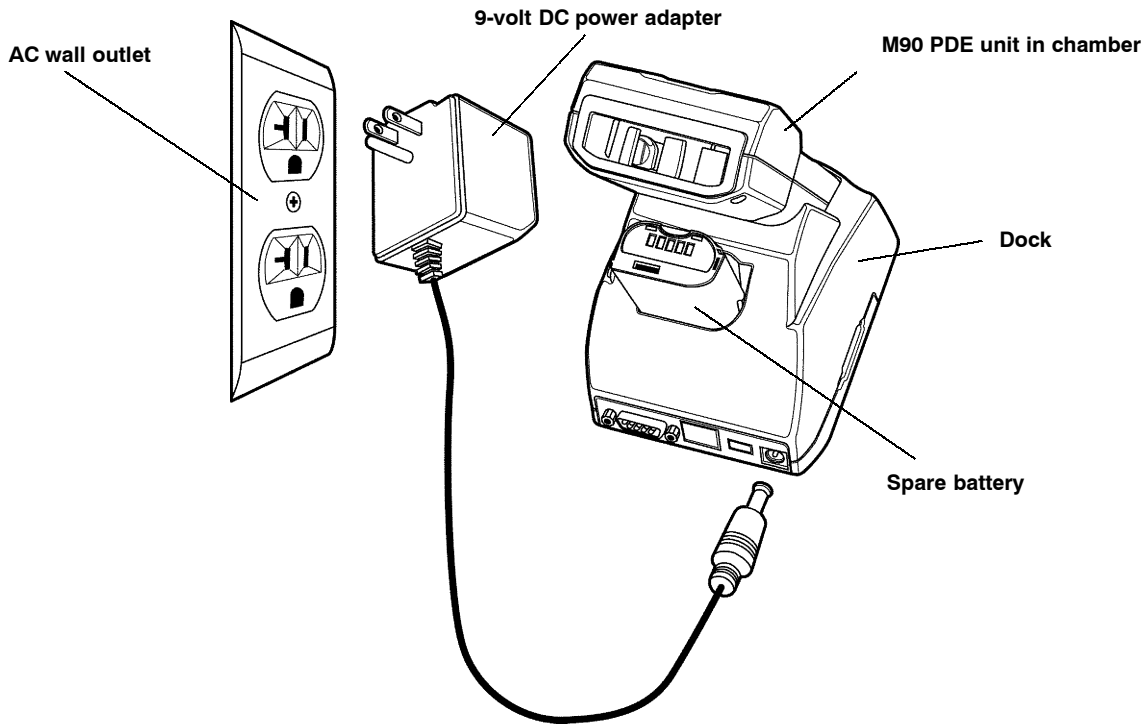


Figure 1-4
Connecting Dock to AC Wall Outlet

Quick Charging of Battery Outside M90 PDE

The dock also has a pocket for charging a spare battery pack. To charge a battery pack, put the spare battery in the battery pocket of the dock. The battery will be fully charged in four hours providing that there is no M90 PDE unit in the dock. If an M90 is in the dock, the spare battery does not start charging until the battery within the M90 is fully charged (as in Figure 1-4).

When the spare battery is waiting for the battery in the M90 to be charged, the charge LED for the spare battery flashes red. When charging starts, the LED changes to a solid red. The LED changes to a solid green when the spare battery is fully charged.

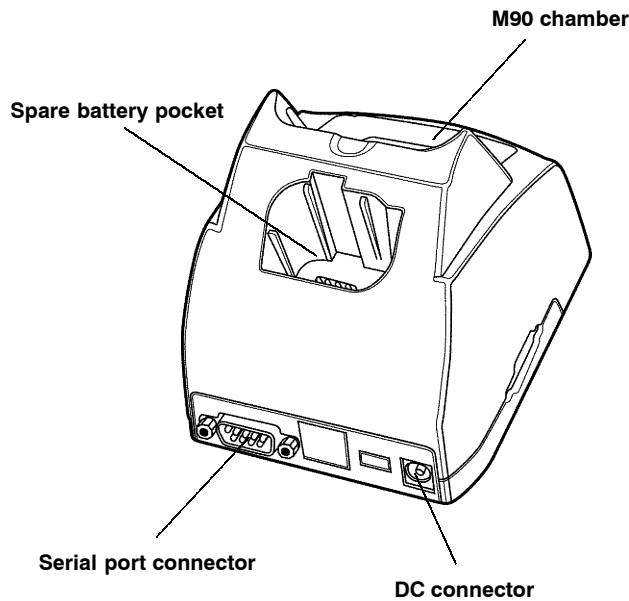


Figure 1-5
Dock Chamber and Pocket

Maintenance

No periodic maintenance is required, other than visual inspection and replacing the batteries. Keep the unit clean and dry with a damp cloth, but do not use solvents. Batteries are the only field-replaceable component.

Fault Finding and Error Codes

No Text in Display

1. Simultaneously press [S1] and [FN] to turn on the M90 PDE unit.
2. Replace the main battery according to page 5.
3. If the fault still remains, return the M90 to your System Partner for service.

M90 PDE Unit Locked in Position

Do a system reset. Turn off the M90, then simultaneously press [S1], [FN], and ►. The display will show:

START MENU

1. *Supervisor Mode*
2. *Warm Start*
3. *Cold Start*
4. *Cancel*

Supervisor Mode:

System enters Supervisor mode for system setup.

Warm Start:

System enters Ready mode without destroying data.

Cold Start:

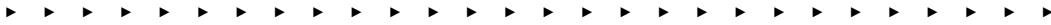
Cold start will continue.



WARNING:

This system reset is an emergency reset and should only be done when recommended by your System Partner.

Glossary



NOTE:

Within this manual, several words and expressions used have special meanings, some of which may be unfamiliar to you. This glossary provides an explanation of these words and expressions.

Application Program

The program adapting your M90 Portable Data Entry (PDE) unit to your specific application.

Cold Start

The procedure which resets or restarts the M90. All data in the RAM or the RAM disc will be *deleted*.

Field

A field is one piece of information, such as a name, date, quantity, article number.

Host Computer

The computer to which you want to transfer your data, after you have input the data to the M90.

Null Modem

A special cable or adapter to connect two items of Data Terminal Equipment (DTE). The signal lines are crossed.

Prompt

A prompt is a displayed character (usually a line) that instructs you to enter a character in that position.

RAM

A memory which loses its contents when it has no power.

Record

A record is one complete set of entered data, it is formed from two or more fields, such as article number *and* quantity *and* date.

Transfer

The act of moving data records from the M90 PDE unit to a host computer or printer. During transfer, the M90 sends the entered data via a communication link to the host computer. After transfer, the entered data is retained unaltered by the M90. This is to allow a second transfer to take place if the first was unsuccessful.

Warm Start

The procedure which resets or restarts the M90. All data in the RAM or RAM disc are not destroyed.