

AP-105 Mounting Kit

Installation Guide

Introduction

The AP-105 Wall Mounting kit provides two options, with built-in security features, for mounting your AP-105 to a wall. Use the Box Mount Bracket to install the AP over wall box and use the Wall Mount Bracket to install the AP directly on a wall.



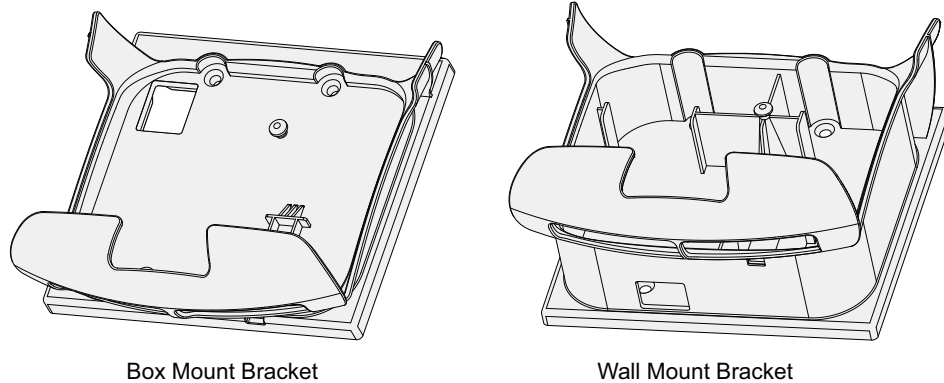
NOTE

This installation guide pertains to both the AP-105-MNT and AP-105-MNT-DC. The AP-105-MNT can only be used with an AP that is powered by Power Over Ethernet (PoE), while the AP-105-MNT-DC allows the use of a DC power source.

The kit includes the following:

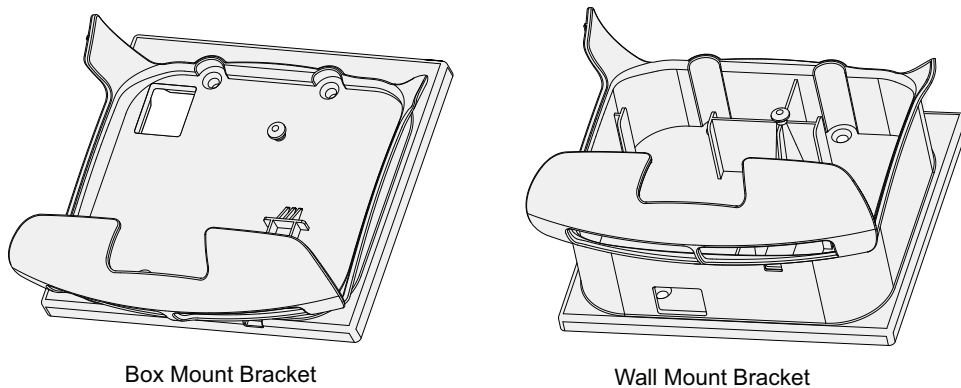
- 1x plastic Box Mount Bracket
- 1x plastic Wall Mount Bracket

Figure 1 AP-105-MNT



AP105_008

Figure 2 AP-105-MNT-DC



AP105_008

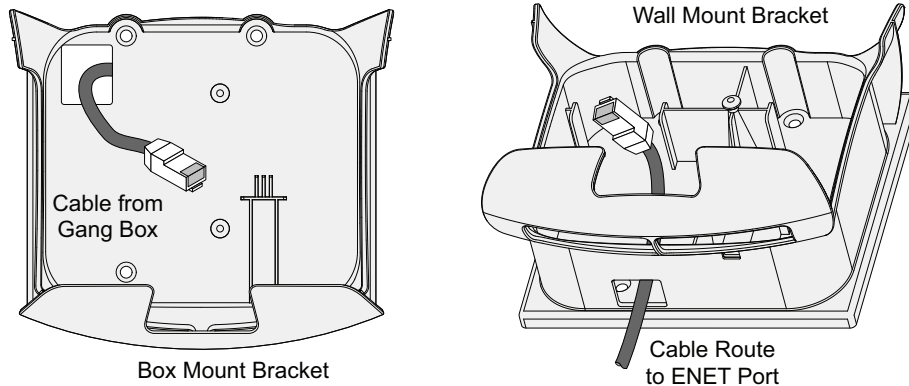
Required Tools

- A screwdriver that matches the screws used for mounting your brackets.
- An M5 (Metric) or 3/16" (Standard) hex key.

Installation

1. Before securing your mount to a double-gang box or directly to the wall, route the ethernet cable through the openings show in [Figure 3](#).

Figure 3 Cable Routing

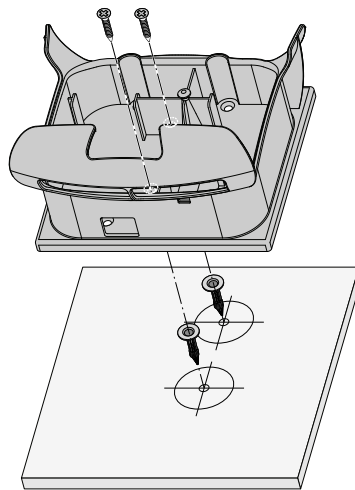


2. Install your mounting bracket.

For the Wall Mount Bracket ([Figure 4](#)):

- a. Before installing your Wall Mount Bracket, install the appropriate wall anchors. Screws and wall anchors are not included.
- b. Align the screw holes in the mount with the holes or anchors on the wall.
- c. Insert the screws and tighten them to secure your Wall Mount Bracket.

Figure 4 Wall Mount Bracket Installation



For the Box Mount Bracket:



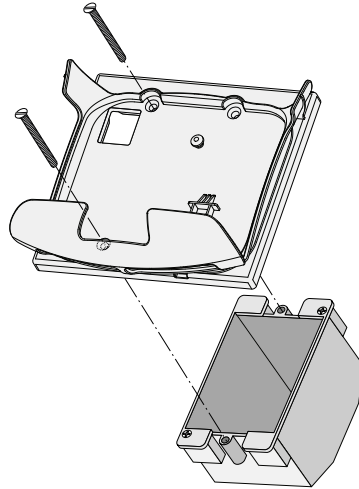
NOTE

If you plan to permanently connect a serial console cable to the AP installed over a gang-box, you must use the Wall Mount Bracket instead of the Box Mount Bracket. This provides the necessary space behind the AP to run both cables.

- a. Align the screw holes in the mount with the those in the gang box, as shown in [Figure 5](#).
- b. Insert the screws and tighten them to secure your Box Mount Bracket.

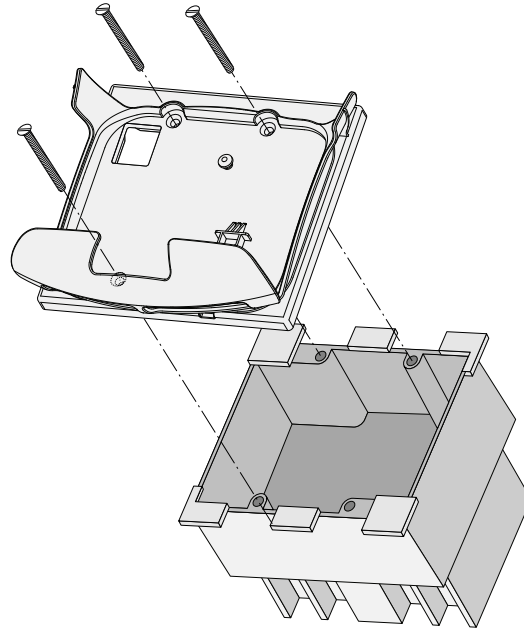
The box mount bracket can also be installed over a double-gang wall box. Use the same steps as above to install it over a double-gang wall box, however the installation requires a third screw. For more details, see [Figure 6](#).

Figure 5 *Box Mount Bracket Installation (Single-gang Box)*



AP105_011

Figure 6 *Box Mount Bracket Installation (Double-gang Box)*



AP105_011

3. Connect the ethernet cable to the ethernet port (ENET) on the back of the AP.
4. Secure the AP to the mounting bracket by aligning the mounting holes on the back the AP with the mounting post on the bracket.
5. Push the AP against the posts and downward until the posts engage the slots at the top of the mounting holes. See [Figure 7](#) and [Figure 8](#) for more details.

Figure 7 *Completing the Installation (Wall Mount Bracket)*

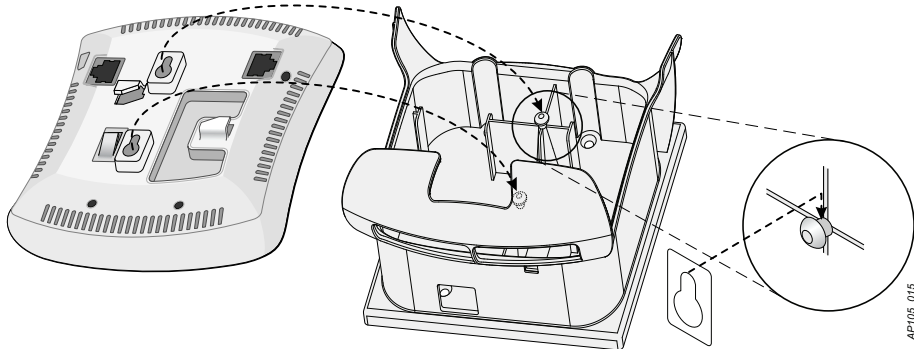


Figure 8 *Completing the Installation (Box Mount Bracket)*

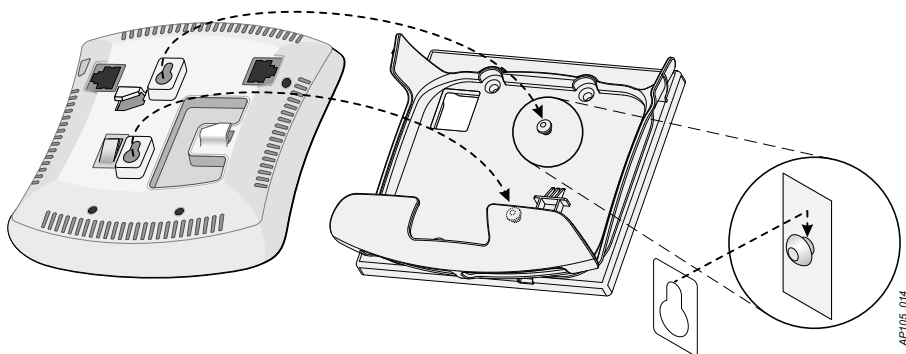
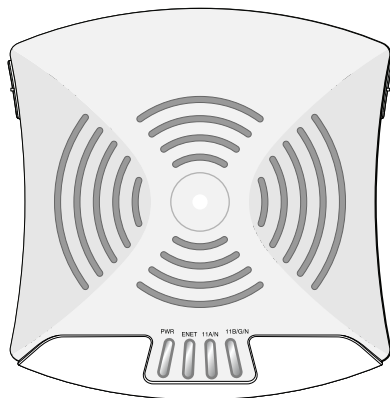
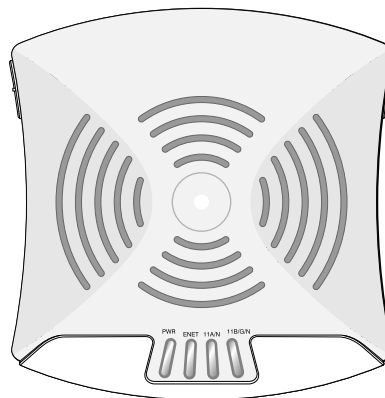


Figure 9 *Completed Installation*



AP in Box Mount Bracket

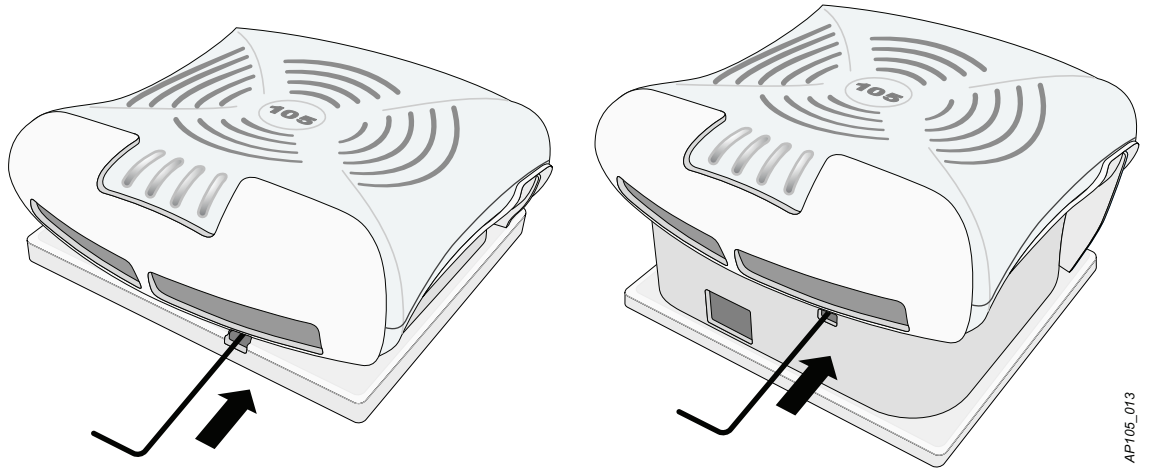


AP in Wall Mount Bracket

AP105_009

6. To remove the AP from the mounting bracket, begin by inserting an M5 or 3/16" hex key into the hole shown in [Figure 10](#).
7. Use the hex key to depress the tab on the AP and push the AP up, releasing the AP from the mounting post on the bracket.

Figure 10 *Removing the AP*



AP105_013

