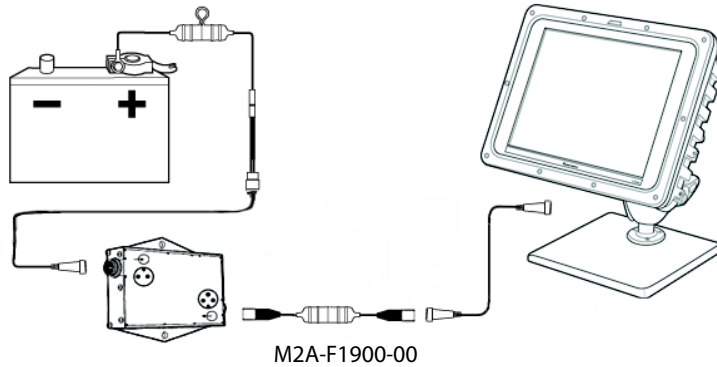


Please Read !

Important Setup Information!

Install this cable if you experience problems (reset or dropout) due to excessive electrical loads that may disrupt power to the CV60 during operation.

The M2A-F1900 cable can be installed with the standard power cable you already use. This cable installs in series with the cable that connects to the DC-DC converter.



Note: Use cable ties to secure M2A-F1900-00 cable to vehicle frame.

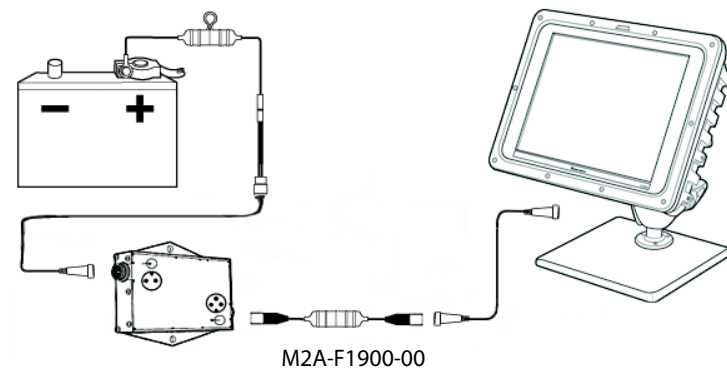
For questions, contact support personnel at 1-800-755-5505 (US and Canada).

Please Read !

Important Setup Information!

Install this cable if you experience problems (reset or dropout) due to excessive electrical loads that may disrupt power to the CV60 during operation.

The M2A-F1900 cable can be installed with the standard power cable you already use. This cable installs in series with the cable that connects to the DC-DC converter.



Note: Use cable ties to secure M2A-F1900-00 cable to vehicle frame.

For questions, contact support personnel at 1-800-755-5505 (US and Canada).

Intermec

Corporate Headquarters
6001 36th Avenue West
Everett, Washington 98203
tel 425.348.2600
fax 425.355.9551
www.intermec.com
CV60 Power Cable April 2004



962054097A Rev A

Intermec

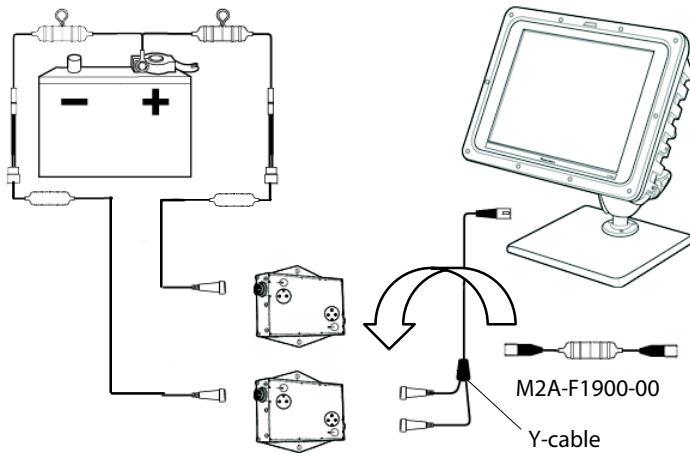
Corporate Headquarters
6001 36th Avenue West
Everett, Washington 98203
tel 425.348.2600
fax 425.355.9551
www.intermec.com
CV60 Power Cable April 2004



962054097A Rev A

For Dual Power Supplies:

You have two DC-DC converters for the CV60. You need to know which one powers the device so you can insert the M2A-F1900-00 cable between it and the Y-cable.



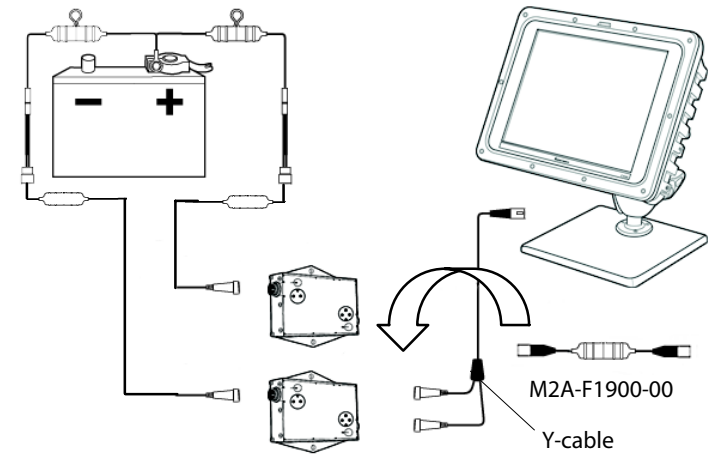
Insert the M2A-F1900-00 cable between the Y-cable and the DC-DC converter.

Note: Use cable ties to secure M2A-F1900-00 cable to vehicle frame.

- 1 Power up the CV60. Remove one of the Y-cable connectors.
- 2 If the CV60 display goes blank, insert the cable between *that* Y-cable connector and the DC-DC converter. If the display does not go blank, re-attach the connector and remove the *other* Y-cable connector and insert the cable there.

For Dual Power Supplies:

You have two DC-DC converters for the CV60. You need to know which one powers the device so you can insert the cable between them.



Insert the M2A-F1900-00 cable between the Y-cable and the DC-DC converter.

Note: Use cable ties to secure M2A-F1900-00 cable to vehicle frame.

- 1 Power up the CV60. Remove one of the Y-cable connectors.
- 2 If the CV60 display goes blank, insert the cable between *that* Y-cable connector and the DC-DC converter. If the display does not go blank, re-attach the connector and remove the *other* Y-cable connector and insert the cable there.