



**Important**  
Label Placement  
Instructions

**700 Color Series**  
**Labeling**  
**Requirements**  
**For Operating**  
**System Upgrades**

**This document contains important Service Notification Labeling Instructions. If these instructions are not followed, a device sent to the service center will be returned with the original purchased operating system.**

## **Upgrade Kit Content**

This Upgrade License Kit authorizes you to upgrade 700 Color Series Mobile Computer(s) to the specific version of system software that you purchased.

Included in this upgrade kit:

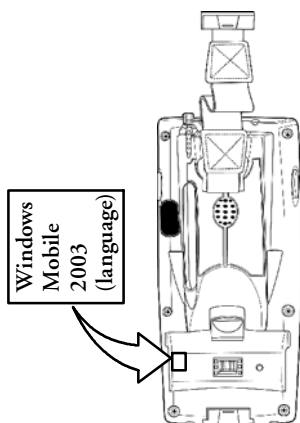
- Microsoft Certificate of Authenticity (COA) stickers attached to the Windows Mobile Operating System Upgrade Certificate p/n: 942-001-001.
- Quick Start Guide
- Companion CD
- Set of Service Notification Labels
- Distribution of the 700 Color Windows Mobile Operating System options are available at <http://www.intermec.com/swdownloads>, then select Pen Notepad. To get downloads for the 700 Color, select the link for 700 Color.

## Service Notification Labeling Procedures

- 1 To properly notify the service centers of your operating system purchase, choose the appropriate label (i.e. language) from the set of Service Notification Labels.
- 2 Place the label on your mobile computer as illustrated below. The label must be put in the specified location on your mobile computer. If the appropriate label is not applied to your mobile computer, a device sent to the service center will be returned with the original purchased operating system.



**Note:** One set of Service Notification labels is provided for each upgraded mobile computer.



700 Color Series Mobile Computer label placement goes inside the battery compartment.

- 3 Discard the remaining labels in the set.

# Upgrade Instructions

- 1 Detailed installation instructions are included with the software upgrade downloaded from [www.intermec.com/swdownloads](http://www.intermec.com/swdownloads).
- 2 Familiarize yourself with the operation system by reviewing the enclosed Quick Start Guide. To familiarize yourself with the operating system changes, refer to the *700 Series Color Mobile Computer User's Manual* p/n 961-054-031 (available in PDF format at <http://www.intermec.com>).



**Corporate Headquarters**  
6001 36th Avenue West  
Everett, Washington 98203  
U.S.A.

**tel** 425.348.2600

**fax** 425.355.9551

[www.intermec.com](http://www.intermec.com)

© 2003-2005 by Intermec Technologies Corporation. All rights reserved.

700 Color Service Notification Labeling Requirements



PN 962054074B