



Intermec



Quick Start Guide



**IP3 Intellitag
Portable
Reader (UHF)**

Packing List

Check to ensure that you receive these items:

- Intermec® IP3UA1104 Intellitag Portable Reader (UHF)
- Battery Pack (p/n: 318-014-001)
- Compliance Statement
- Warranty Card

Setting up Your 700 Color Mobile Computer

Before using your Portable Reader with the 700 Color Mobile Computer you need to load the Portable Reader CAB files onto your mobile computer. Do that by going to either of these two sources:

- 700 Series Color Software Tools CD-ROM (p/n: 235-099-001)
- Intellitag Developer's CD (p/n: ITD001)

Connecting the Portable Reader to the 700 Color Mobile Computer

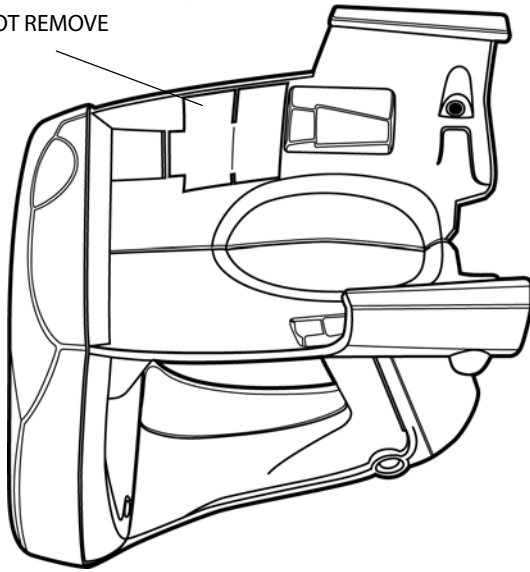


RF Exposure regulations limit exposure to radiofrequency (RF) radiation. To comply with these regulations, operators of this device must maintain a distance of at least 20 cm. (8 inches) from the cover on the antenna assembly (The cover on the antenna is the dome shaped surface). While the device is on, the operator's body and parts of the body such as eyes, hands, or head, must be 20 cm. (8 inches) or farther from the cover of the antenna assembly.



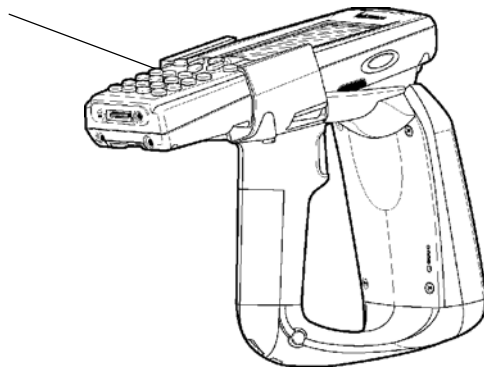
Note: DO NOT remove the IR reflector from the inside of the Portable Reader. This IR reflector aids in the communication of the IrDA signal between the Portable Reader and your Mobile Computer

Gold IR Reflector DO NOT REMOVE

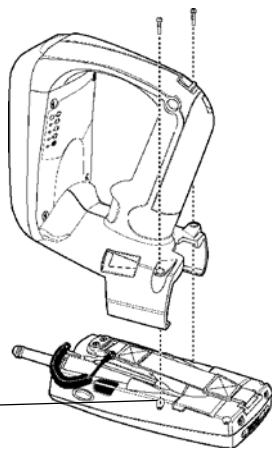


- 1 Slide your Mobile Computer into your Portable Reader.
- 2 Ensure it slides in all the way. Your Mobile Computer communicates with the Reader via the IrDA. Therefore, the IrDA signal passing from the Portable Reader must have a good IrDA acceptance on the side of the Mobile Computer. You will hear a click when you have the Mobile Computer completely inserted into the Portable Reader.

Mobile Computer fully engaged into Portable Reader



- 3 Attach the two retaining screws. Ensure that they go straight into the mobile computer openings.

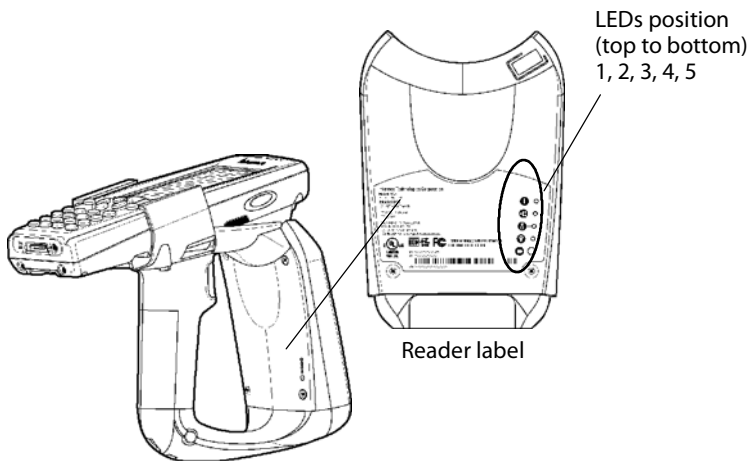


Ensure retaining screws go straight into the slots on your mobile computer

Removing the 700 Color Mobile Computer from Portable Reader

- 4 Remove the two retaining screws.
- 5 Grasp the 700 Color Mobile Computer at the display end, and simultaneously lift up (away from the Reader), then pull forward.

Portable Reader LED Location and Explanation



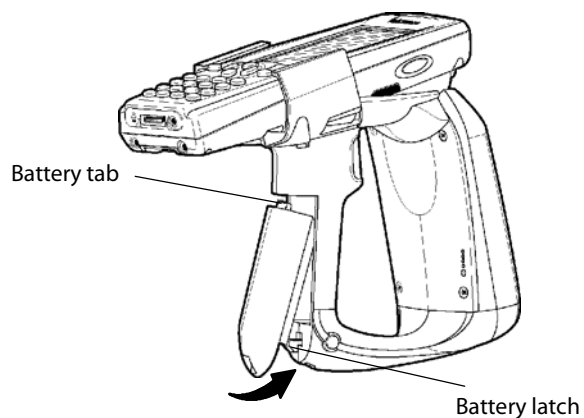
Portable Reader LED Explanation

LED	Indicates	Meaning
1	PWR	+5 Power is On. Reader is ready.
2	HOST COMM	Data communication with Host is active.
3	RF ON	RF Power is On.
4	TAG COMM	Valid tag transaction.
5	BATT	Battery condition (Low RED, Full GREEN, more than 20% but less than 80% ORANGE).

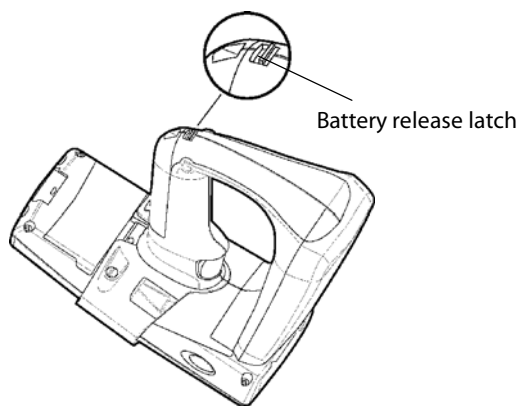
Battery Installation and Removal

To charge the battery contained in your Portable Reader, it is necessary to remove the battery from the handle and place it in the IP3U Dual Battery Pack Charger. This charging unit charges the battery in four hours.

- 1 To **install** the battery into the Portable Reader, insert the battery (tilt to fit into notch) into the compartment opening and press in until the latch on the bottom of the battery snaps closed. The battery tab on the top of the battery pack fits into the notch in the compartment.

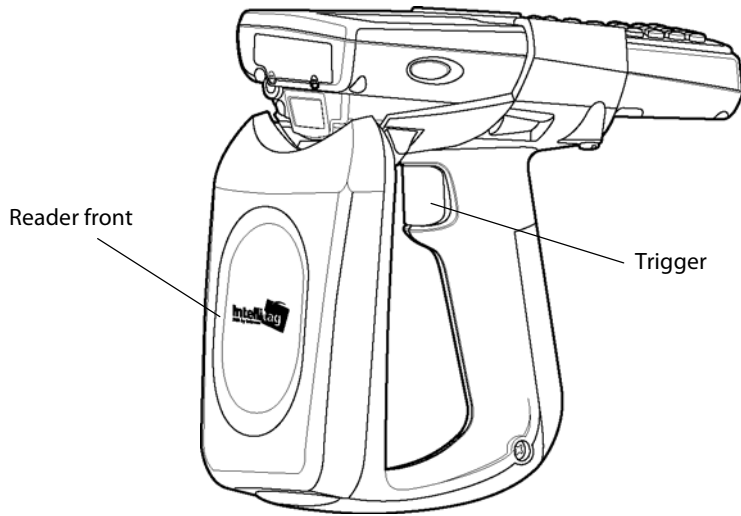


- 2 To **remove** the battery pack, push the battery release latch forward and remove the battery pack from the handle.



Using the Portable Reader

- 1 Charge battery four hours before using the first time.
- 2 Squeeze trigger on Reader to check capacity of battery (bottom LED).
- 3 Aim the Reader front at the ID Tag and squeeze the trigger. To obtain a good first time read, you need to be within three feet of the ID Tag.



Performance Specifications

You can expect to read at least six tags per second up to three feet. Attempting to read tags beyond these specifications produces poor results.

Sometimes using the Reader continuously reading tags may result in the unit overheating. This causes the Reader to stop reading tags. Allow the Reader to cool and get back within temperature range then the Reader will return to good tag reads.

915 MHz Specifications

Frequency reference Source	Spec Detail
Source type	Frequency hopper
Frequency band	902-928 MHz
Transmitter	Spec Detail
Output power 1 w maximum	minimum: 28.5 dBm typical: 29.5 dBm maximum: 30.0 dBm
Modulation	99%, 40 dB on/off
Data Rates	33 to 40 kbps

Environmental Specifications

Temperature	Spec Detail
Operating	-4°F to +131°F (-20°C to +55°C)
Non-Operating	-40°F to +158°F (-40°C to +70°C)
Humidity	Spec Detail
Operating	0-95% Relative, Non-Condensing

Overall Performance

Dispatch Rates	Spec Detail
RFID tag identification rate	At least six tags per second with one to ten tags per field, located at half the maximum read distance from the Reader front panel.
RFID tag read distance	36 inches
RFID tag data exchange rates	Read a tag containing 8 bytes of data within 50 mS. Perform a verified write to a tag at an average rate of 75 mS per byte per tag.

Regulatory

Safety and Regulatory Approvals	Spec Detail
Reader	cULus Listed Accessory CB Report for international product safety FCC OET Bulletin 65, Evaluating Compliance with FCC Guidelines for Human Exposure to Radio Frequency Electromagnetic Fields, for general population uncontrolled exposure. AS/NZS 2772.1 (INT): 1998 Radio Frequency Fields-Part 1: Maximum exposure levels - 3 kHz to 300 GHz, for non aware users. Part 15 of the FCC Rules and with Industry Canada Rules. AN/NZS 4268:2003 Radio Equipment and Systems - Short Range Devices - Limits and Methods of Measurement.
Electromagnetic Compatibility	Spec Detail
Reader	FCC Part 15/Industry Canada ICES-003/CISPR Class B digital emissions

Firmware Architecture

Firmware	Spec Detail
	Communicates in one mode: Application Peripheral Interface (API).
Protocol/Compatibility	ANSI NCITS 256.2000 for API, part 2, part 3-1.

Reader Configuration Access Summary

Function	Responsible Party	Control Mechanism
Change Country Code	Factory or Intermec Field Technician	Hardware key or configuration tag etc.
Download updated firmware	Remote or on-site field technician	Intermec-only password
Setup, system configuration not secured at higher level (i.e. change battery wake up default etc.)	Customer System Administrator	Configuration file, etc.

Global Services and Support

Warranty Information

To understand the warranty for your Intermec product, visit the Intermec web site at <http://www.intermec.com> and click **Service & Support**. The Intermec Global Sales & Service page appears. From the **Service & Support** menu, move your pointer over **Support**, and then click **Warranty**.

Disclaimer of warranties: The sample code included in this document is presented for reference only. The code does not necessarily represent complete, tested programs. The code is provided “as is with all faults.” All warranties are expressly disclaimed, including the implied warranties of merchantability and fitness for a particular purpose.

Web Support

Visit the Intermec web site at <http://www.intermec.com> to download our current manuals in PDF format. To order printed versions of the Intermec manuals, contact your local Intermec representative or distributor.

Visit the Intermec technical knowledge base (Knowledge Central) at <http://intermec.custhelp.com> to review technical information or to request technical support for your Intermec product.

Telephone Support

These services are available from Intermec Technologies Corporation.

Service	Description	In the U.S.A. and Canada call 1-800-755-5505 and choose this option
Factory Repair and On-site Repair	Request a return authorization number for authorized service center repair, or request an on-site repair technician.	1
Technical Support	Get technical support on your Intermec product.	2
Service Contract Status	Inquire about an existing contract, renew a contract, or ask invoicing questions.	3
Schedule Site Surveys or Installations	Schedule a site survey, or request a product or system installation.	4
Ordering Products	Talk to sales administration, place an order, or check the status of your order.	5

Outside the U.S.A. and Canada, contact your local Intermec representative. To search for your local representative, from the Intermec web site, click **Contact**.



Corporate Headquarters
6001 36th Avenue West
Everett, Washington 98203
U.S.A.

tel 425.348.2600

fax 425.355.9551

www.intermec.com

© 2003 by Intermec Technologies Corporation. All rights reserved.

IP3 Intellitag Portable Reader (UHF) Quick Start Guide August 2004



PN 962-054-065C