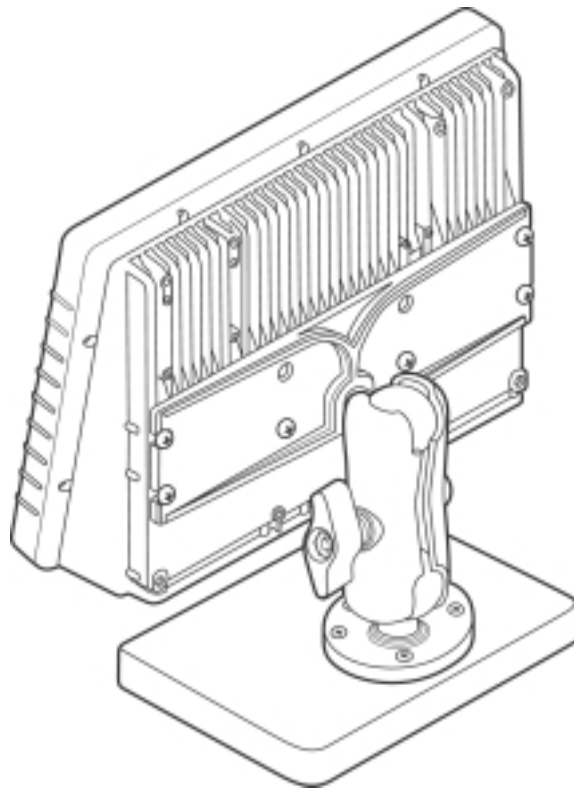


Installation Instructions

P/N 962-054-038
Revision A
January 2001



5055 Large RAM Mount

962054038



Intermec

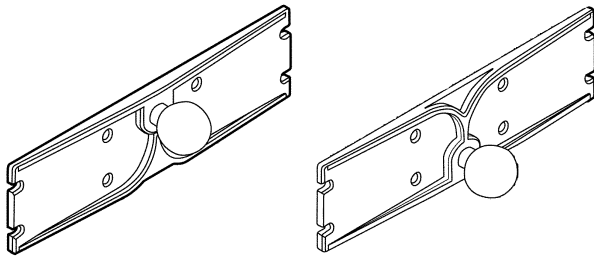
A **UNOVA** Company

Introduction

These instructions show you how to install the mounting bracket and the **large** RAM twin-ball pedestal adjustable mounting assembly for the 5055 Data Collection PC. You can mount the unit suspended from above, or upright from below. The machine screws furnished in this kit have pre-applied threadlocker. If your mounting situation requires that you use nuts and bolts for installing the mounting plate, you must obtain these locally. Lockwashers *are required* on any screws or bolts that are not supplied in this kit.

Mounting Bracket

If the unit will be suspended from above, attach the mounting bracket to the computer with the swivel ball in the *high* off-center position. For upright mounting, attach the bracket to the computer with the swivel ball in the *low* off-center position.

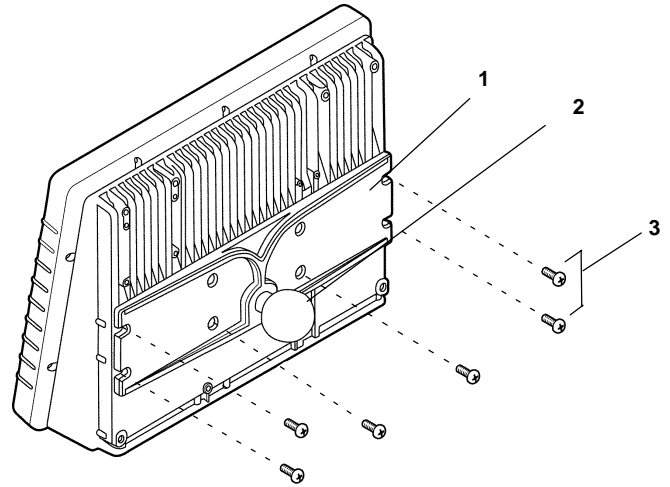


Swivel Ball Off-center

High

Swivel Ball Off-center

Low

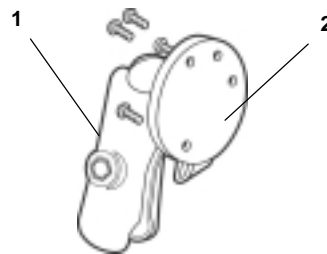


1. Mounting bracket
2. Swivel ball (shown off-center, *low*)
3. Machine screws

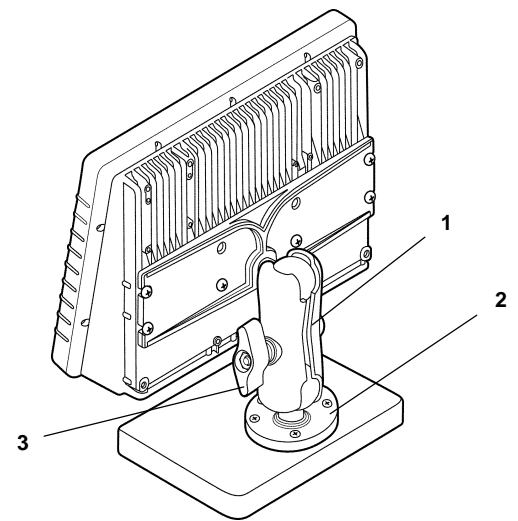
Attach the mounting bracket to the rear of the computer using the six (6) shorter 1/4-20 machine screws furnished in this kit.

Final Assembly

Fasten the mounting plate and the large (2.25 inch RAM) twin-ball pedestal to your mounting surface using the four (4) longer 1/4-20 flathead machine screws furnished in this kit OR you can use appropriate size nuts, bolts and lockwashers which you obtain locally.



Suspended Mounting
Orientation



Final Assembly
(show in upright mounting orientation)

Place the computer with mounting bracket attached into the twin-ball pedestal, orient computer as desired, and tighten the adjustment knob.

1. Twin-ball pedestal
2. Mounting plate
3. Adjustment knob