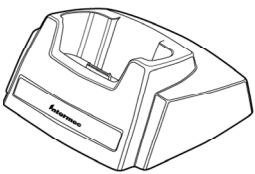




**Intermec**

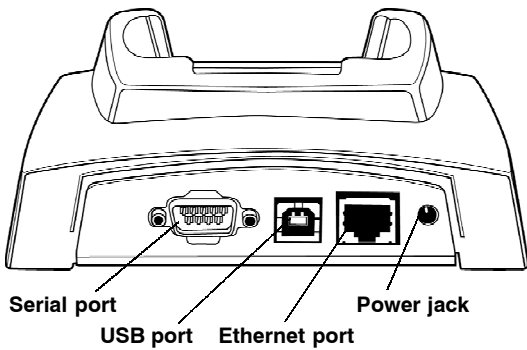
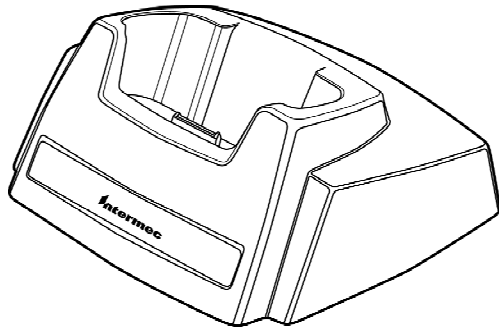


Quick  
Start Guide



**700 Series  
Mobile  
Computer  
Single Dock**

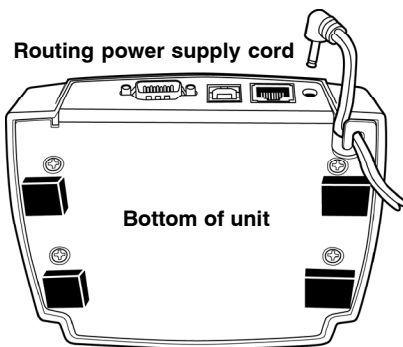
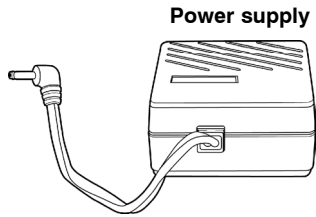
## Single Dock

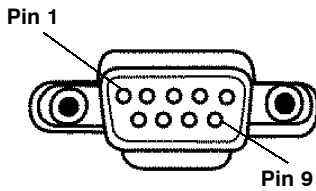


USB and Ethernet share common interface lines to the 700 Color Mobile Computer and cannot be used at the same time. Ethernet is the default port. If a USB cable is connected to a host computer then the port is switched to USB and Ethernet will be disabled. If a 700 Monochrome Mobile Computer is used with the dock then Ethernet is the only port that can be used as the 700 Monochrome Mobile Computer does not support USB.

## Power Supply Cord Routing

1. Remove adhesive dock feet from the box and place on bottom of dock.
2. Route power cord as shown in illustration.





**Serial Connector**

**Serial 9-Pin Connector  
Pin-outs for Single Dock**

Pin Number	Signal
1	DCD
2	RxD
3	TxD
4	DTR
5	Ground
6	DSR
7	RTS
8	CTS
9	Not used

## **Safety Warnings**

- ▶ Use this product only with Intermec 700 Series Mobile Computers.

## **Product Warranty**

We warrant that Intermec Technologies Corporation products will be free from defects in manufacturing materials and workmanship for one (1) year from date of shipment to you.

### **Conditions of warranty**

1. Purchaser must obtain a Return Authorization (RA) number from the Intermec Service Center (1-800-755-5505) within the warranty period.
2. Purchaser will provide a written, detailed description of the defect.

3. The product must be promptly returned to the designated Intermec Service Center, freight prepaid by Purchaser.
4. Upon examination of the product, Intermec must agree that the defect exists and is covered by this warranty. Warranty repairs will be completed at the Service Center and returned to the Purchaser by prepaid surface freight.

The foregoing is a summary of the standard warranty, which shall be purchaser's sole remedy. Complete warranty details can be found in your purchase agreement or obtained from your local Intermec sales office.

In no event shall Intermec Technologies Corporation nor its suppliers be liable for any special, consequential or incidental damages.



6001 36th Avenue West  
Everett, WA 98203  
[www.intermec.com](http://www.intermec.com)  
© 2002 Intermec Technologies Corp.  
All Rights Reserved

700 Series Mobile Computer Single Dock-Quick Start Guide-July, 2001



962040009 REV A