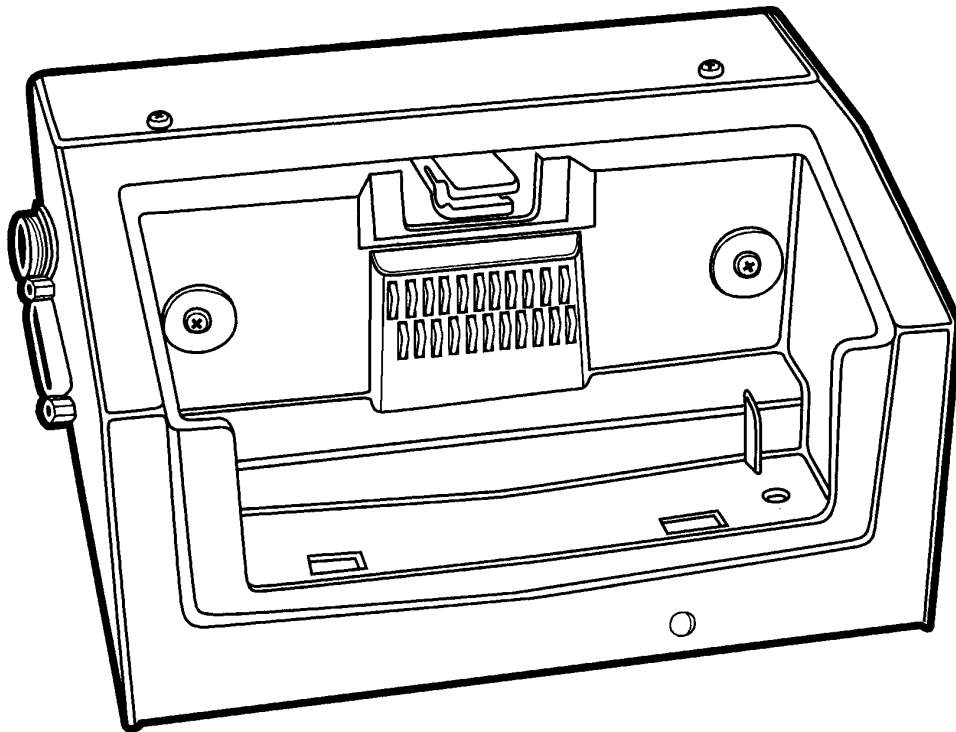


Installation Instructions

P/N 962-020-002
Revision A
April 1996



6300 Single Dock

P/N 962-020-002 Revision A



Intermec

A **UNOVA** Company

Installation Procedure Summary

1. Install single dock mounting plate or wall bracket (*if one was ordered*).
2. Connect any applicable RS232/485 communication cable(s) (e.g., pc, modem, printer, network controller, etc.).
3. Connect Ethernet cable *if that applies to your operation*.
4. Connect external keyboard *if that applies to your operation*.
5. Connect power supply to the single dock and plug the ac cord into wall.

Accessory List

Item#	Description	PN	Qty
1.	Power supply	851-029-001	ref.*
2.	cable, dock to PC-AT or laptop	216-787-00x	ref.*
3.	cable, dock to PC-XT or PS2	216-773-00x	ref.*
4.	cable, dock to modem	216-771-00x	ref.*
5.	cable, dock to printer (NORAND® printers only)	216-588-001	ref.*
6.	cable, dock to serial printers	216-772-00x	ref.
7.	kit, mounting plate and four 0.875" screws	203-349-001	ref.*
8.	bracket, wall mount	699-935-001	ref.*

**Reference items are not included in the kit and must be ordered separately.*

Introduction

General Information

The Single Dock holds one Hand-Held Computer (also called “terminal”) in an upright position for use on a desktop or counter. A wall-mount (basic) single dock is also available.

This manual describes the single dock connectors and shows where they are located on various models of the single dock. Mechanical instructions tell you how to: (a) attach a mounting bracket (plate) to a desk-mounted dock, or (b) install a wall-mounted dock.

Single Dock Connectors

Single docks can have connectors located on the rear of the unit (full-function dock) or on the side (basic dock). Some docks will have more connectors than others, depending upon customer needs and system configuration. Compare your dock with the illustrations in the back of this manual to identify connectors and their locations. Power and signal lines connect to the surface connectors in the dock, which then make contact with the mating connectors on the back side of the terminal.

Power Connector

Approximately 15 volts dc is provided to the power input connector from the external power supply. Inside the single dock, this voltage is regulated and filtered. It is then delivered to the external keyboard jack (DIN connector) and to the surface connectors to charge or power the terminal.

DIN Connector

This is a 5-pin, DIN connector that allows an external keyboard to operate the terminal via the surface connector communication interface.

RJ-45 Connector

This is a modular, 8-pin snap-in connector used to connect the single dock (and the terminal) to an Ethernet (LAN) network.

D-Sub Connectors (25-pin)

The 25-pin d-subminiature connectors provide RS-232 or RS-485 communications capability to peripheral devices such as a personal computer, a printer, a modem or a communication controller. Normally, the hand-held computer (terminal) defaults to COM 1 (communication port #1), while COM 2 is software-addressable.

Note

Do NOT connect to a parallel printer.

Accessories

Power Supply

A power supply provides 15 volts dc to the single dock. The voltage is regulated within the dock. It is then distributed to the external keyboard connector and to the surface connectors on the front of the dock.

Mounting Bracket

An optional mounting bracket (plate) is available to provide added mass to the single dock. This option will be useful to hold the dock in place if it tends to move around or if you frequently insert and remove the terminal.

Wall Mounting Kit

A special bracket is available for mounting the basic single dock on the wall. The full-function single dock *does not fit this bracket*.

Cables

Accessory cables are available for connecting a single dock to personal computers, serial printers, and to many modems.

Mounting Bracket (plate) Installation Kit

Installing the Bracket

This kit consists of a metal plate (mounting bracket) and four screws. Figure 1 shows how to attach the mounting bracket to the base of the dock. Remove the rubber feet (save these) from the single dock and discard the old screws. Insert the screws in the kit through the rubber feet, through the mounting bracket, and attach it to the bottom of the dock.

Wall Mounting Kit

Installing the Bracket

Figure 2 shows the wall mounting bracket. Fasten this bracket to a vertical wall surface using quarter-inch diameter hardware. Install the bracket, then align the single dock to the keyhole cut-outs in the bracket. Insert a screw through the bottom of the mounting bracket, into the dock.

Connections

Single Dock

Figures 3 (basic dock) and 4 (full-function dock) identify single docks and their respective connector locations. D-subminiature connectors (25-pin, COM 1 ["A"] and COM 2 ["B"]) are used for RS-232 or RS-485 communication. A snap-in telephone-type connector (RJ-45) is used for LAN (e.g., Ethernet) communications. The power cable has a round, keyed, three-prong connector with a screw-on collar.

When the mechanical installation is complete, do the following:

- **Connect all communication cables, as required.**
- **Connect the power supply cable to the single dock.**
- **Plug the ac cord into the power supply and then into a wall outlet.**

INSTRUCTIONS:

1. Position the wall mount bracket **(1)** on the wall at a convenient height. Make sure the bracket is level and that the keyholes **(2)** are positioned as shown.
2. Use a pencil to mark the location of the four bracket-mounting holes **(3)** when installing drywall mollies or other anchor devices (1/4-inch minimum diameter). Select and install wall anchor devices according to the manufacturer's instructions. Use four 1/4-inch diameter lag screws when installing the bracket on a board or other reinforced wall surface.
3. Remove the screw from the bottom of the dock, then align and lower the dock in the keyhole cutouts **(2)**.
4. Insert the screw removed in Step #3 through this hole **(4)** and into the dock to secure it in place.

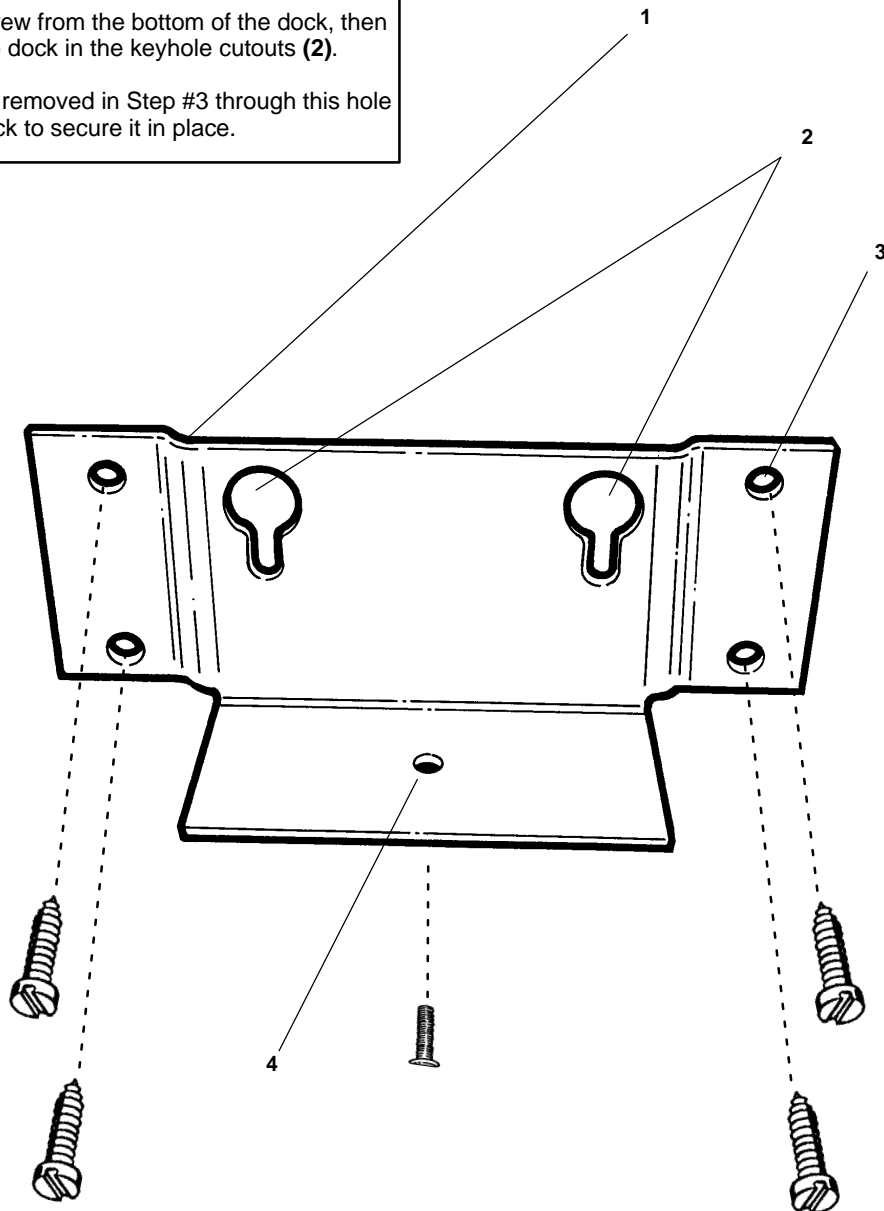


Figure 2
Install Wall Mount Bracket

INSTRUCTIONS

1. Positionner le support (1) pour installation murale à une hauteur convenable sur le mur. Bien vérifier que le support est horizontal et que les trous piriformes (2) sont placés selon l'illustration.
2. Pour la pose de boulons à coquille d'expansion de type Molly ou d'autres pièces de fixation (d'un diamètre minimum de 1/4 po), marquer au crayon l'emplacement des quatre trous de fixation (3) du support. Voir le mode d'emploi du fabricant pour le choix et la pose des dispositifs de fixation murale. Pour la pose du support sur un panneau ou une surface murale renforcée, utiliser quatre tire-fond de 1/4 po de diamètre.
3. Retirer la vis de la partie inférieure de la station multi-accueil, puis aligner la station sur les trous piriformes (2) et l'abaisser.
4. Insérer la vis retirée à l'étape 3 dans le trou (4) et dans la station multi-accueil pour bien fixer la station en place.

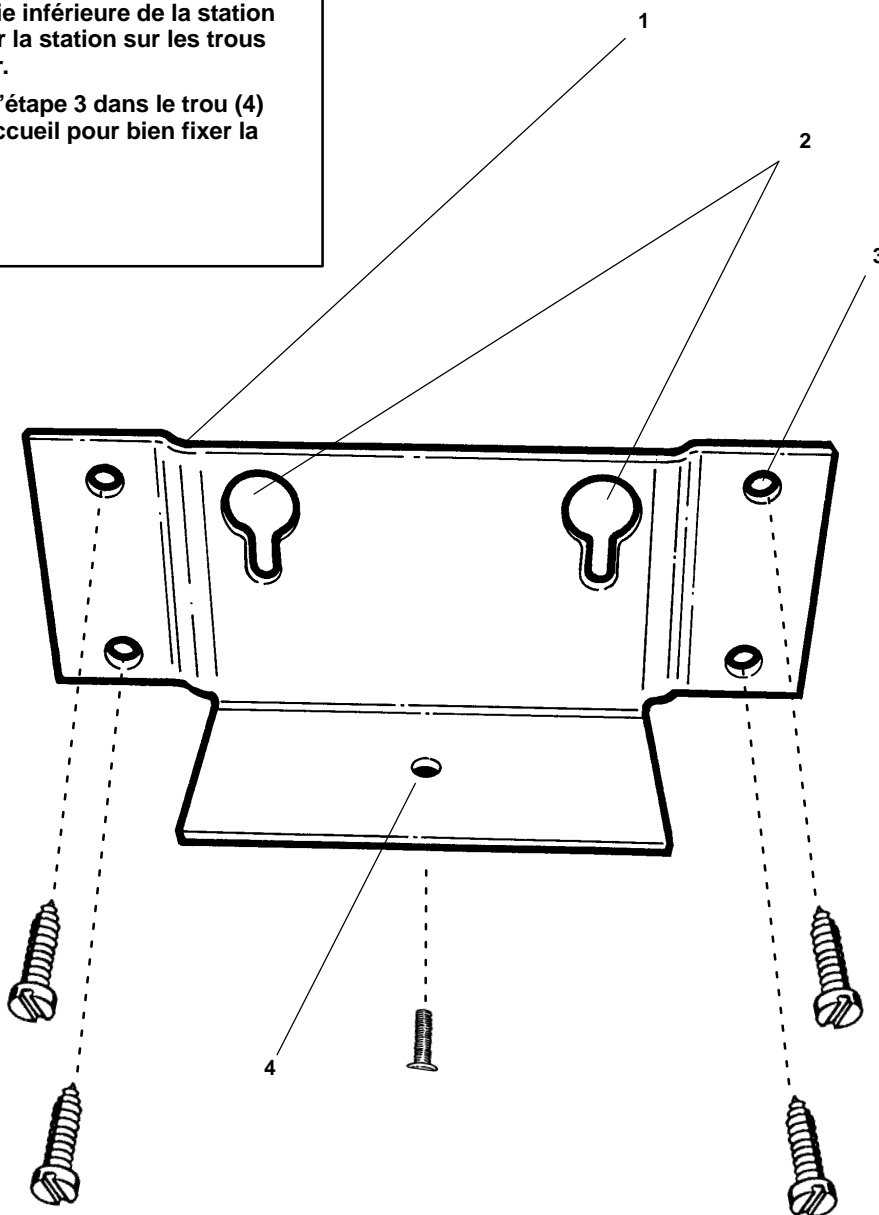
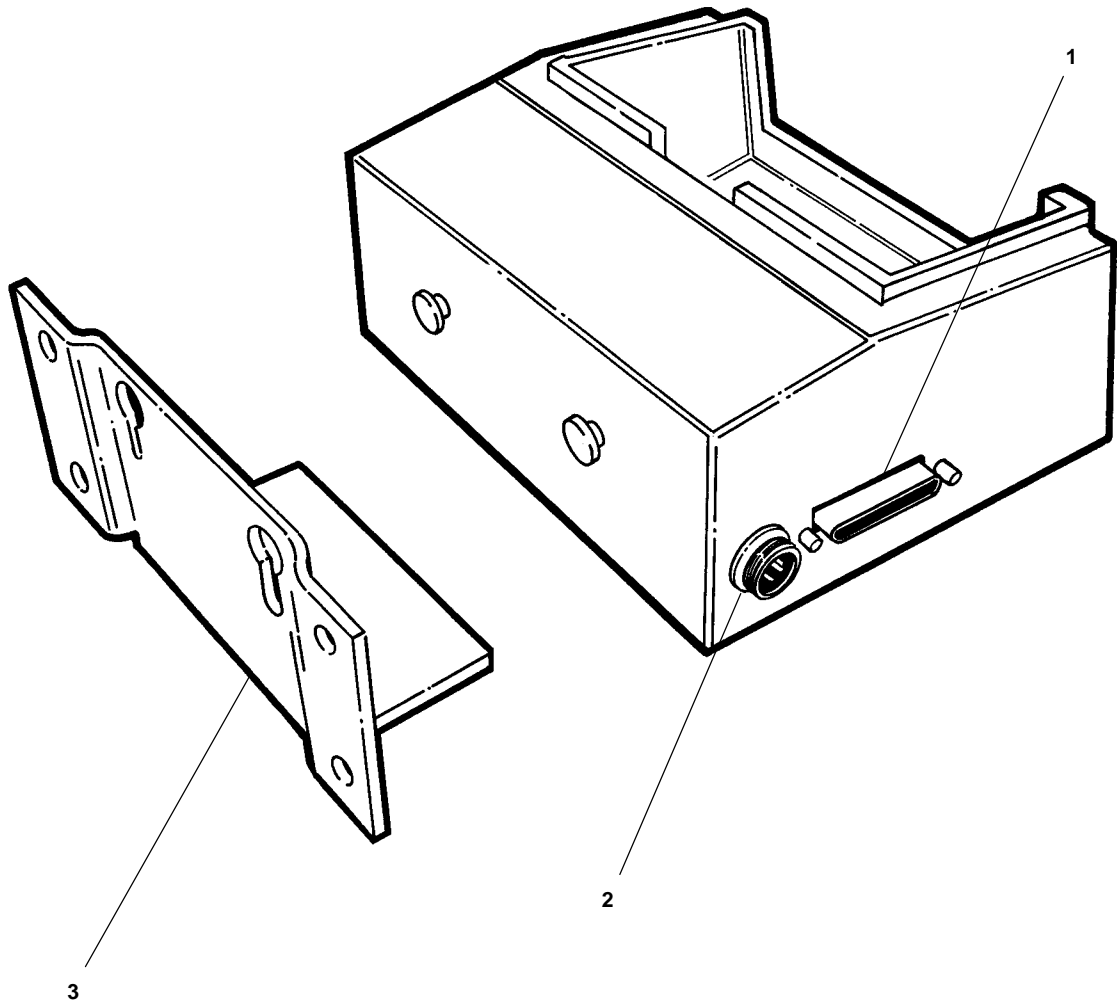


Figure 2
Pose du support pour installation murale

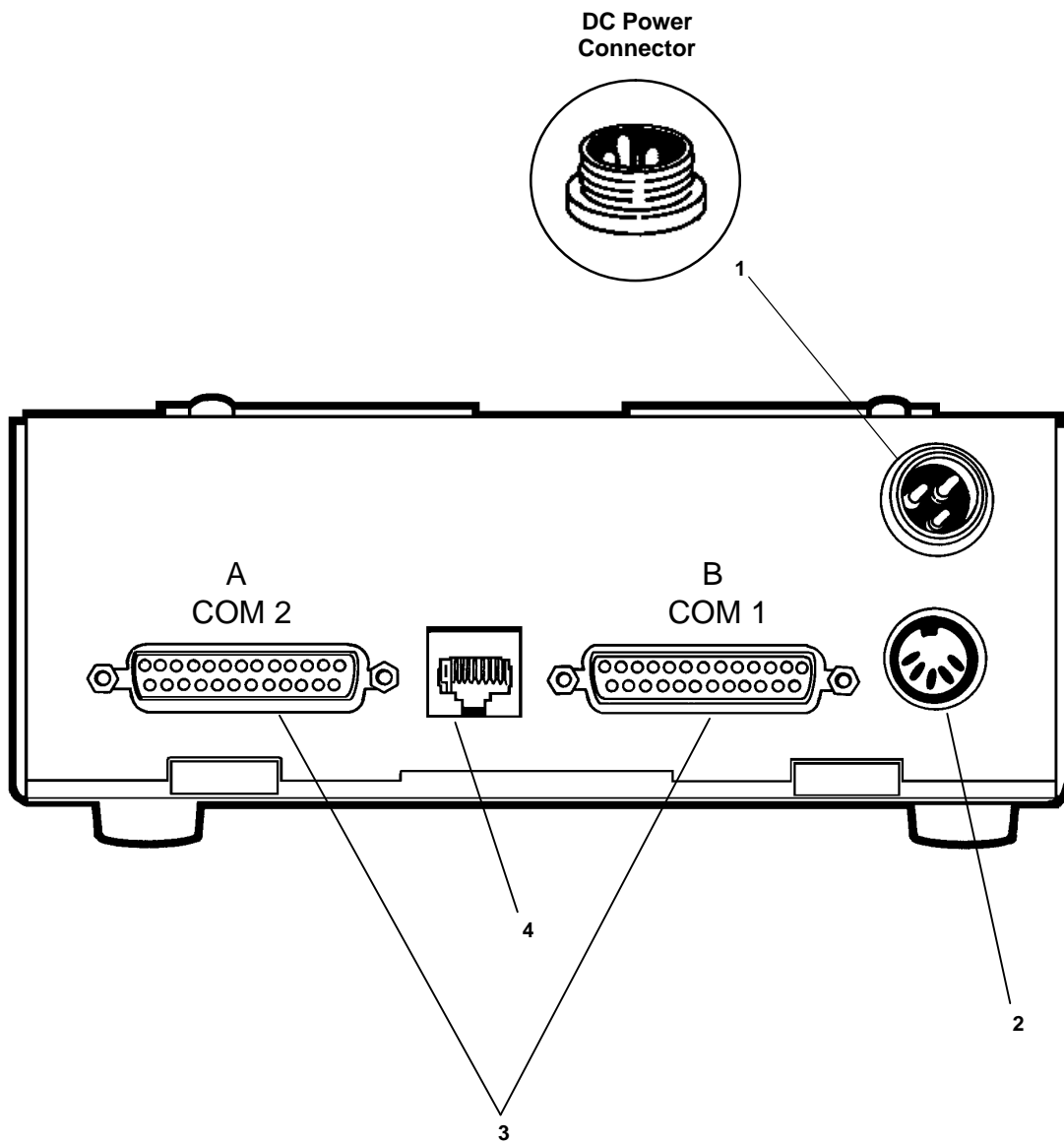
INSTRUCTIONS:

Once the dock is secure in the keyhole cutouts, be sure to install a screw up through the hole in the bottom of the bracket and into the Single Dock.



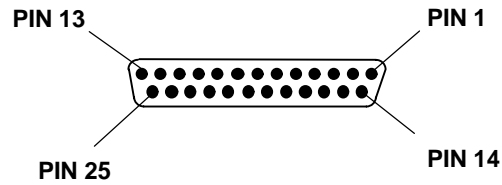
1. 25-pin **COMMUNICATION** connector
(RS232/RS485)
2. 3-pin **POWER** Connector
3. **Wall mounting bracket**

Figure 3
Wall Mount and Basic Single Dock
(connectors on side)



1. 3-pin POWER Connector
2. 5-pin DIN Connector (for external keyboard).
3. 25-pin COMMUNICATION connectors (RS232/RS485)
4. 8-pin RJ-45 LAN (Ethernet) Jack

Figure 4
**Full-Function Single Dock
 Connectors**
 (connectors on rear)

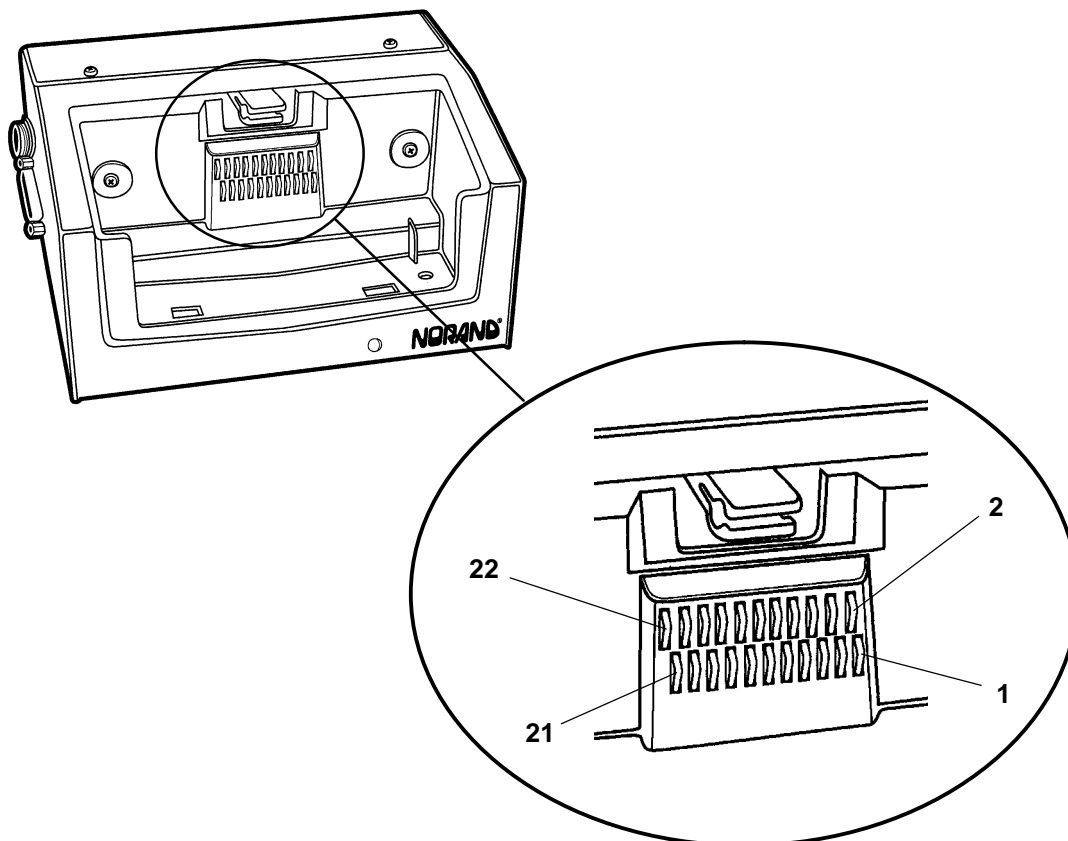


COM Port "A"

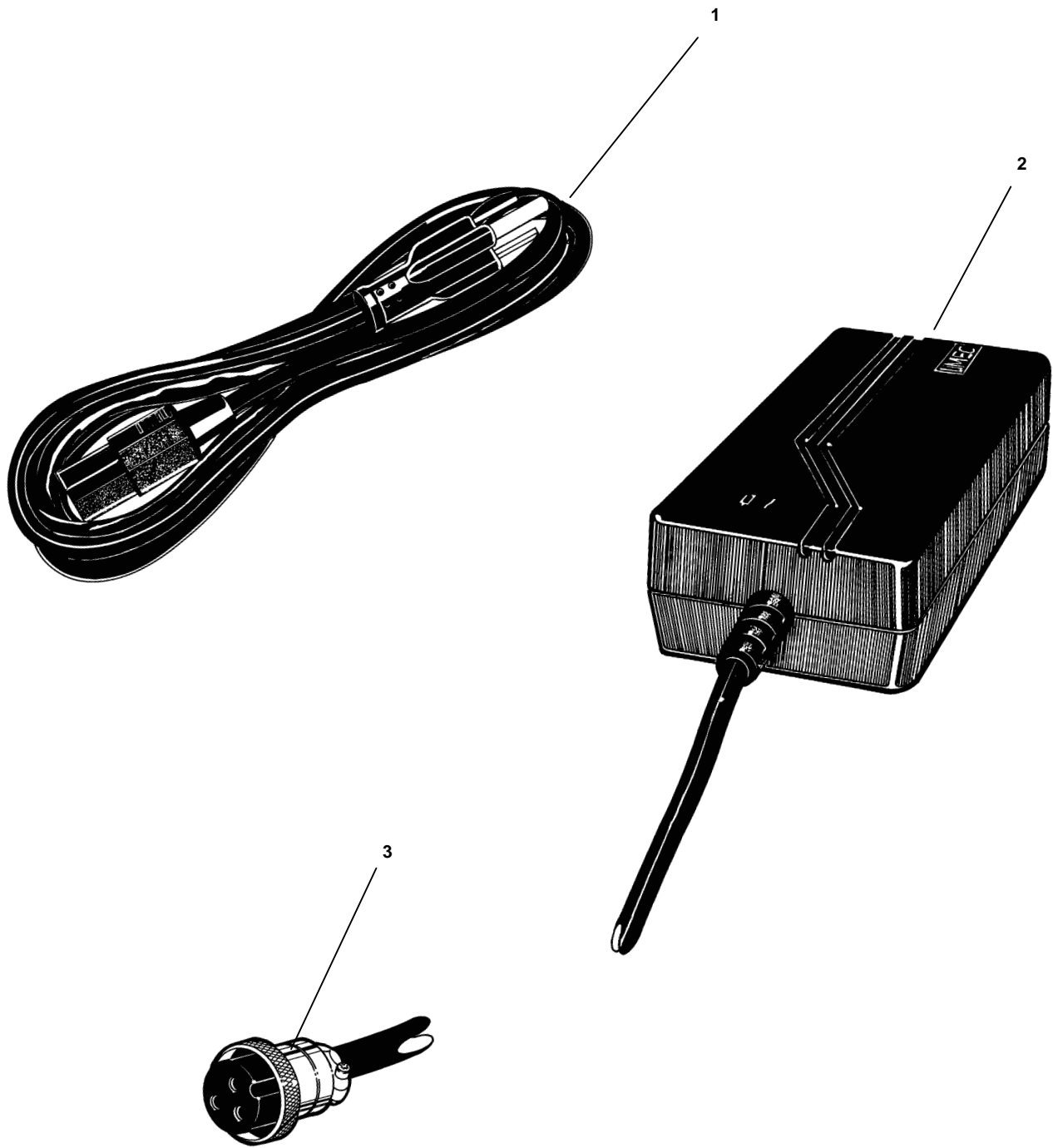
COM Port "B"

Pin	Purpose	Pin	Purpose
1	Chassis ground	1	Chassis ground
2	TXD	2	TXD
3	RXD	3	RXD
4	RTS	4	RTS
5	CTS	5	CTS
6	DSR	6	DSR
7	Ground	7	Ground
8	DCD	8	DCD
9	RS485	9	RS485
10	RS485	10	RS485
11-19	Not Used	11-17	Not Used
20	DTR	18	Dock control line for port B
21	Not Used	19	Not Used
22	RI	20	DTR
23-25	Not used	21	Not Used
		22	RI
		23-25	Not used

Surface Connectors



Contact #	Signal Name	In/Out	Use
1	RS485+	I/O	485 LAN +
2	KCLK	I/O	External Keyboard
3	RS485-	I/O	485 LAN -
4	KDAT	I	External Keyboard Data
5	TPIN	I	External Input Reset
6	EXT_KB_L	I	Sense for External Keyboard
7	TPIP	I	Ethernet Input Positive
8	RI	I	RS232 Ring Indicator
9	CHRG_EXT	I	External Charge Voltage
10	DCD	I	RS232 Data Carrier Detect
11	CHRG_EXT	I	External Charge Voltage
12	DSR	I	RS232 Data Set Ready
13	TPON	O	Ethernet Output Negative
14	CTS	I	RS232 Clear To Send
15	TPOP	O	Ethernet Output Positive
16	RXD	I	RS232 Receive Data
17	DOCK CNTRL	O	Dock Control Line
18	TXD	O	RS232 Transmit Data
19	GND	—	GROUND
20	RTS	O	RS232 Request To Send
21	GND	—	GROUND
22	DTR	O	RS232 Data Terminal Ready



- 1. AC power cord
- 2. Power Supply
- 3. 3-pin power connector

Figure 5
Power Supply Assembly
(PN: 851-029-001)

