

Installation Instructions

CV60 Keyboard Tray Mount



Corporate Headquarters
6001 36th Avenue West
Everett, Washington 98203
U.S.A.

tel 425.348.2600

fax 425.355.9551

www.intermec.com

CV60 Keyboard Tray Mount Installation Instructions – March 2004

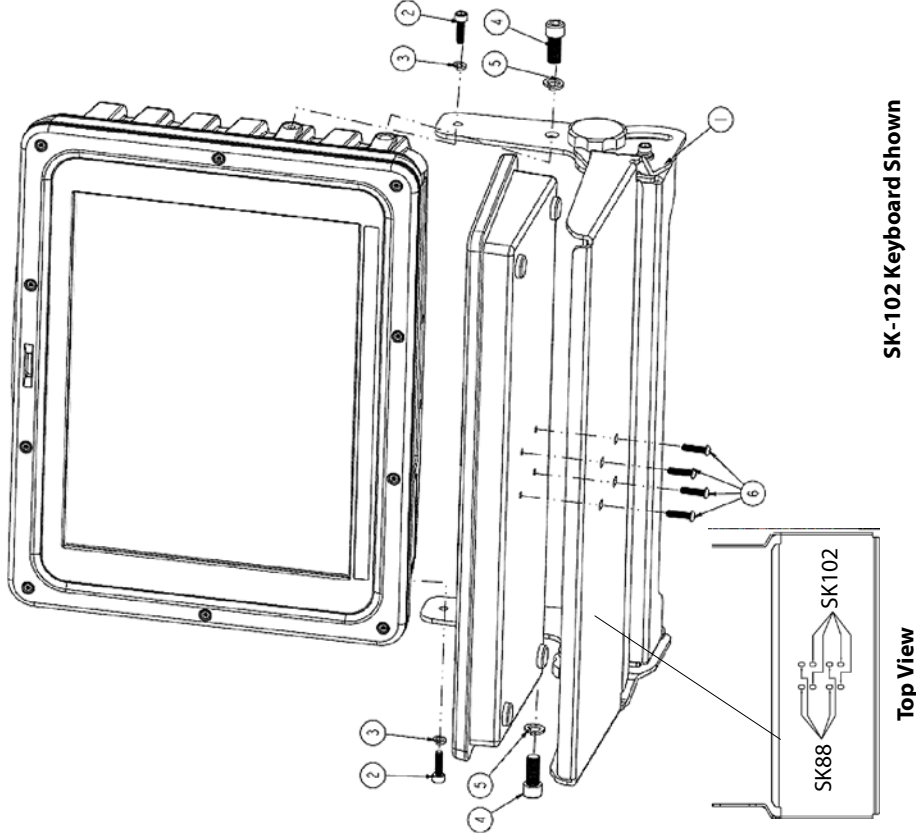


962-000-032B Rev B

Packing List

Check to make sure the items were included in your shipment. If any item appears to be missing or damaged, contact your Intermec Sales Representative.

Tools required: Philips screwdriver, hex wrenches.



SK-102 Keyboard Shown

Note: Order keyboard separately.

Note: The tray is shipped partially assembled.



Introduction

These instructions show you how to assemble the keyboard tray mount for the CV60.

- 1 Align the keyboard tray up to the screw holes located on each side of the CV60.
- 2 Insert the two hex screws (2) and two spring washers (3) into the top keyboard tray hole and tighten.
- 3 Insert the two hex screws (4) and two spring washers (5) into the bottom keyboard tray hole and tighten.
- 4 Place the keyboard onto the keyboard tray and route the keyboard cable behind the keyboard tray. Refer to the template for proper hole alignment for your keyboard.

For 88 key keyboards, use the back sets of holes.

For 102 key keyboards, use the front sets of holes.

- 5 Attach the keyboard to the keyboard tray using 4 screws (6). Tighten the screws. Adjust the keyboard and tray, then tighten the knobs. **DO NOT OVERTIGHTEN.**

Hardware List - Keyboard Tray Mount

Number	Description	Qty
1	Keyboard Tray	1
2	Socket Hex Screw, #10-32 x 1/2"	2
3	Spring Washer #10	2
4	Socket Hex Screw, #5/16-18 x 1/2"	2
5	Spring Washer #5/16	2
6	Screw, #8-32 x 5/8"	4