

The Intermec logo consists of the word "Intermec" in a bold, blue, sans-serif font. To the right of the text is a blue square containing a white stylized circular graphic that resembles a power symbol or a similar geometric design. The logo is positioned on the left side of the page, partially overlapping a large, light blue circular graphic that forms part of the background design.

**Intermec**

# Installation Guide

## **Mobile DC-DC Uninterruptible Power Supply**

## Intermec Technologies Corporation

Corporate Headquarters  
Department  
6001 36th Ave. W.  
Everett, WA 98203  
U.S.A.

Technical Communications  
550 Second Street SE  
Cedar Rapids, IA 52401  
U.S.A.

[www.intermec.com](http://www.intermec.com)

The information contained herein is proprietary and is provided solely for the purpose of allowing customers to operate and service Intermec-manufactured equipment and is not to be released, reproduced, or used for any other purpose without written permission of Intermec.

Information and specifications contained in this document are subject to change without prior notice and do not represent a commitment on the part of Intermec Technologies Corporation.

© 2003 by Intermec Technologies Corporation. All rights reserved.

The word Intermec, the Intermec logo, Norand, ArciTech, CrossBar, Data Collection Browser, dcBrowser, Duratherm, EasyCoder, EasyLAN, Enterprise Wireless LAN, EZBuilder, Fingerprint, i-gistics, INCA (under license), InterDriver, Intermec Printer Network Manager, IRL, JANUS, LabelShop, Mobile Framework, MobileLAN, Nor\*Ware, Pen\*Key, Precision Print, PrintSet, RoutePower, TE 2000, Trakker Antares, UAP, Universal Access Point, and Virtual Wedge are either trademarks or registered trademarks of Intermec Technologies Corporation.

Throughout this manual, trademarked names may be used. Rather than put a trademark (<sup>™</sup> or ®) symbol in every occurrence of a trademarked name, we state that we are using the names only in an editorial fashion, and to the benefit of the trademark owner, with no intention of infringement.

There are U.S. and foreign patents pending.

## Description

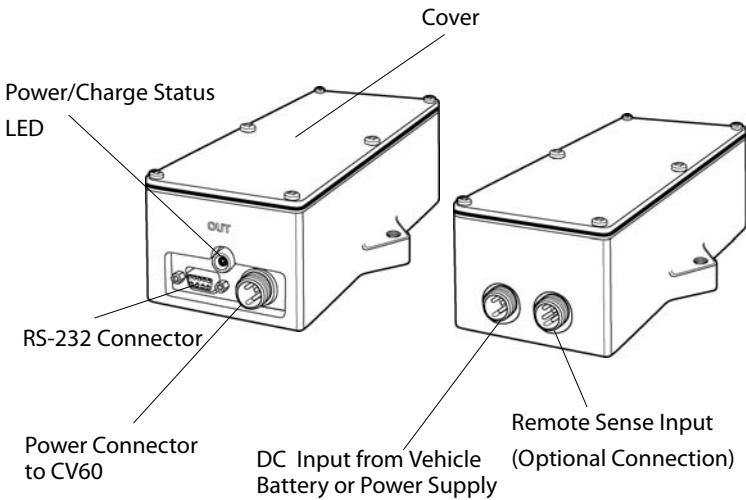
An uninterruptible power supply (UPS) is a battery-operated power supply connected to a computer to keep the system running during a power failure. The UPS service for Windows XP and Windows CE detects and warns users of power failures and manages a safe system shutdown when the backup power supply is about to fail.

## UPS Battery Information

The UPS battery (P/N 317-075-002) requires 3-4 hours to fully charge. Remove the six screws from the UPS cover for battery access.



**Note:** The battery is the only user-serviceable part. Use only Intermec-approved replacement batteries for the UPS, since they are UL-approved.



*Shown with dust covers removed*



**Note:** Visit the Intermec technical knowledge base (Knowledge Central) at <http://intermec.custhelp.com> to review technical information and support for battery care and use for your Intermec product.

## Connecting the UPS (Smart Mode)



**Note:** Remove the dust cover from the serial port before connecting the cable.

- 1 Attach the RS-232 cable (PN 321-593-001) to COM1 or COM2 on the CV60 and tighten the screws to the DB-9 connector.
- 2 Connect the other end of the RS-232 serial cable to the RS-232 connector on the UPS and tighten the screws.
- 3 Connect the cable from the UPS power OUT to the CV60 power input connector. Tighten the connector.
- 4 Connect the cable (PN 226-341-003, six foot cable or PN 226-341-004, three foot cable) from the vehicle battery or power supply to the dc input connector on the UPS.

## Connecting the UPS (Standard)

- 1 Connect the cable (PN 226-341-003, six foot cable or PN 226-341-004, three foot cable) from the vehicle battery or dc-dc converter to the dc input connector on the UPS.
- 2 Connect the cable from the UPS power OUT to the CV60 power input connector. Tighten the connector.

## Power/Charge Status LED

The LED lights when power is applied to the UPS.

- Amber: indicates UPS is charging
- Red: indicates UPS is discharging
- Green: indicates UPS is charged.



**Note:** Always have power to the UPS *before* booting the CV60. Failure to do so may cause the UPS to shut down.

## Remote Sense Input (Optional, CV60 only)

Use this input if you want the UPS to send a shutdown signal to the CV60 Vehicle Mount Computer.



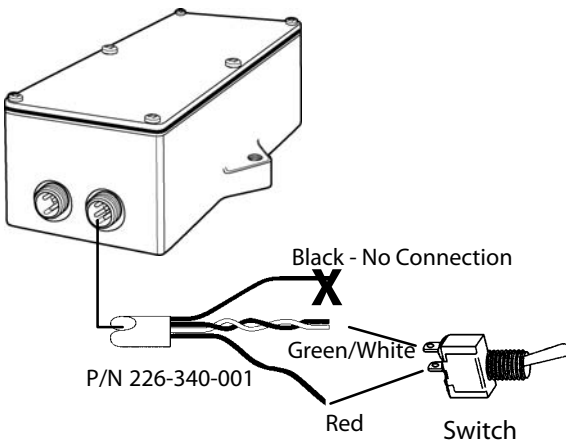
**Note:** Remove the dust cover from the circular connector *before* installing the cable.

### Installation:

- 1 Cut the 2 pin connector end from the cable (P/N 226-340-001) and wire the toggle switch as shown.
- 2 Install the cable into the 4 pin connector.

### Operation:

- 1 Close the switch (ON) to have the CV60 shutdown (*after* configuring the UPS service in software.)
- 2 To remove the shutdown signal to the CV60, move the toggle switch back to the OFF position.
- 3 When the battery is low, there are two thresholds that are reached:
  - the UPS will signal the CV60 to shut down via the low battery line
  - the UPS itself will shut down to conserve battery power. (The LED turns off).
- 4 The UPS will awaken when external power is applied and the battery is charged to a minimum level.



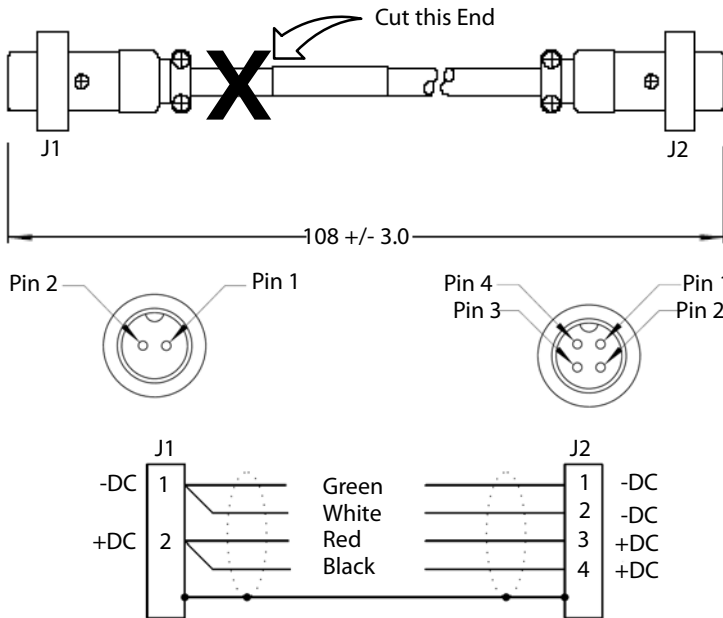
Switch Wiring Diagram



**Note:** The toggle switch for remote sense operation is not Intermec supplied. We recommend an SPST switch (single pole single throw) rated at 24VDC at 1mA or less for the remote sense option.



**Note:** Use a sealed switch for high humidity and dusty environments. Follow customary electrical wiring practices when wiring the switch.



Remote Sense Cable P/N 226-340-001



**Note:** New cables may not adhere to the Intermec current wiring scheme. Verify individual wire colors and their equivalent connection before proceeding with the UPS installation.

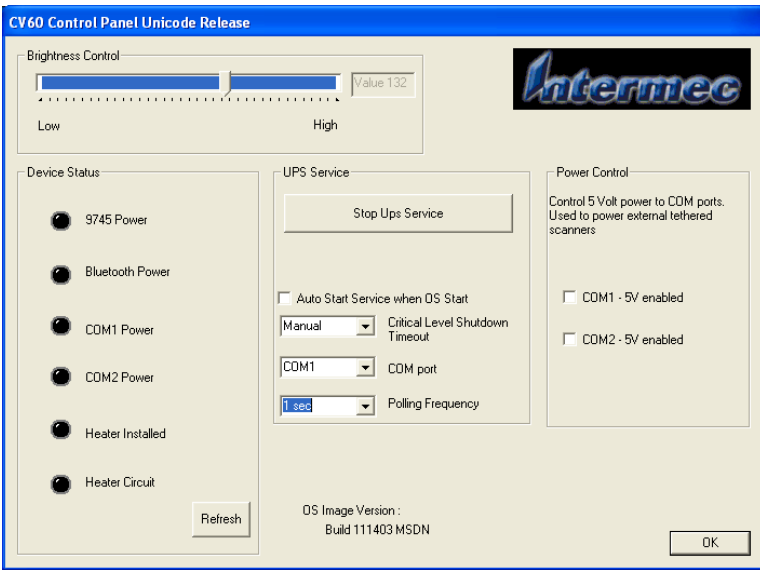
# Configuring the UPS Service

## Windows XP



Double-tap the CV60 Settings icon to open the control panel applet.

- 1 On the **UPS Service** button, click **Start UPS Service**.



- 2 Check **Auto Start Service when OS Start** box if you want the UPS service to start at login.
- 3 In **Critical Level Shutdown Timeout**, select Manual, or 10, 20, 30 second intervals.
- 4 In **COM Port**, select the COM port where the UPS device is connected.
- 5 In **Polling Frequency** dialog box, set the intervals for 1 sec, 3 sec, or 5 sec.

## Windows CE

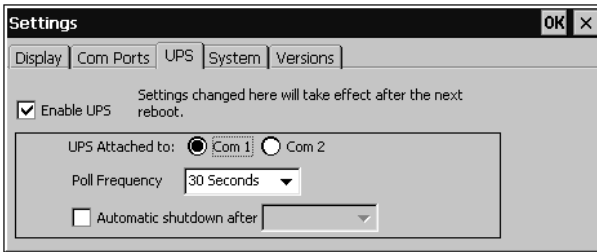


CV60 Settings

Double-tap the CV60 Settings icon to open the control panel applet.

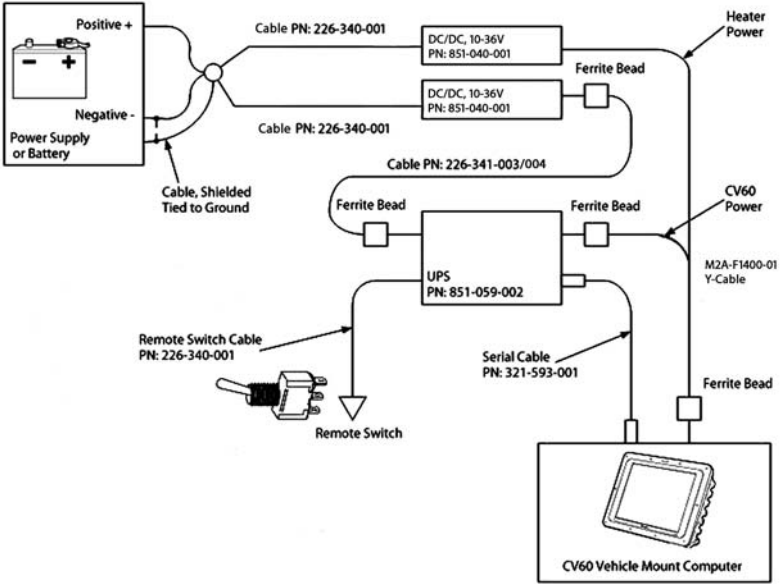
### UPS

Select the UPS tab and check the Enable UPS checkbox. Click the drop-down arrow to reset the **Poll Frequency** value. Check **Automatic shutdown** before you click its drop-down arrow to adjust its value.

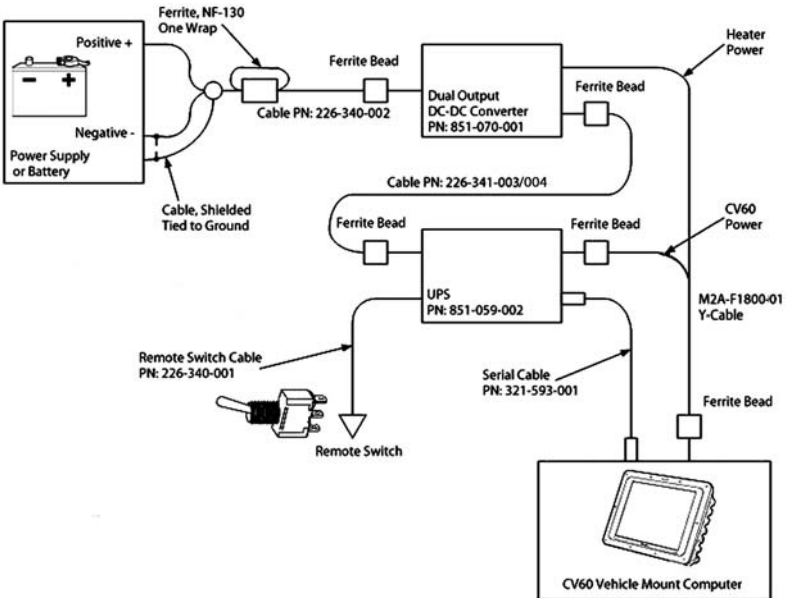




# 851-040-001 or 851-041-002 DC-DC Converters



# 851-070-001 DC-DC Converter









**Corporate Headquarters**

6001 36th Avenue West  
Everett, Washington 98203

U.S.A

**tel** 425.348.2600

**fax** 425.355.9551

[www.intermec.com](http://www.intermec.com)

Mobile DC-DC Uninterruptable Power Supply - August 2004



\*962-000-030A\* REV A