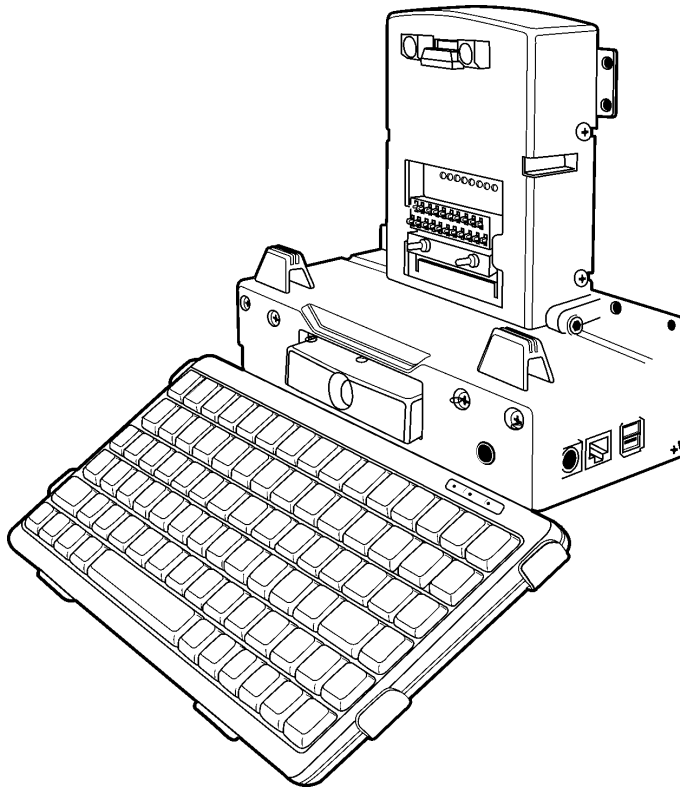


Installation Instructions

P/N 962-000-004
Revision A
November 1999



6640 Keyboard Mount

P/N 962-000-004 Revision A



Intermec

A **UNOVA** Company

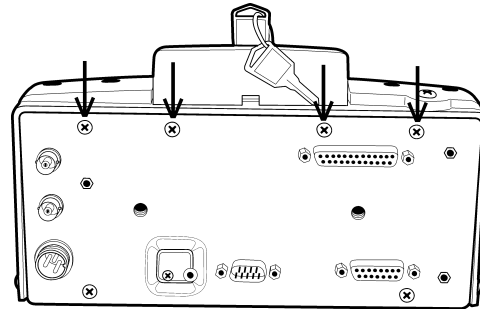
Introduction

You can attach the keyboard mounting tray to the 6640 dock before or after the dock is mounted in place, depending on which is most convenient for you. It will be easier to fasten the tray to the dock if the dock is not mounted and can be placed on a work surface.

Remove Dock Screws

Remove the front four bottom panel attachment screws from the dock.

Remove These 4 Screws



Dock
(Bottom View)

Attach Keyboard Tray

Align the keyboard tray and dock as shown. Apply threadlocker (such as Loctite® "Surface Curing Threadlock" #425) to the screws you removed from the dock bottom plate. Use these screws to attach the keyboard tray to the dock.

714-482-001 Keyboard Tray

Install Keyboard

Remove the backing paper from the adhesive strips in the tray, and place the keyboard in the tray. Squeeze firmly and evenly for a few seconds to set the adhesive.

Connect the keyboard cable to the PS/2 connector on the dock. The completed assembly is illustrated on the front of this instruction sheet.

