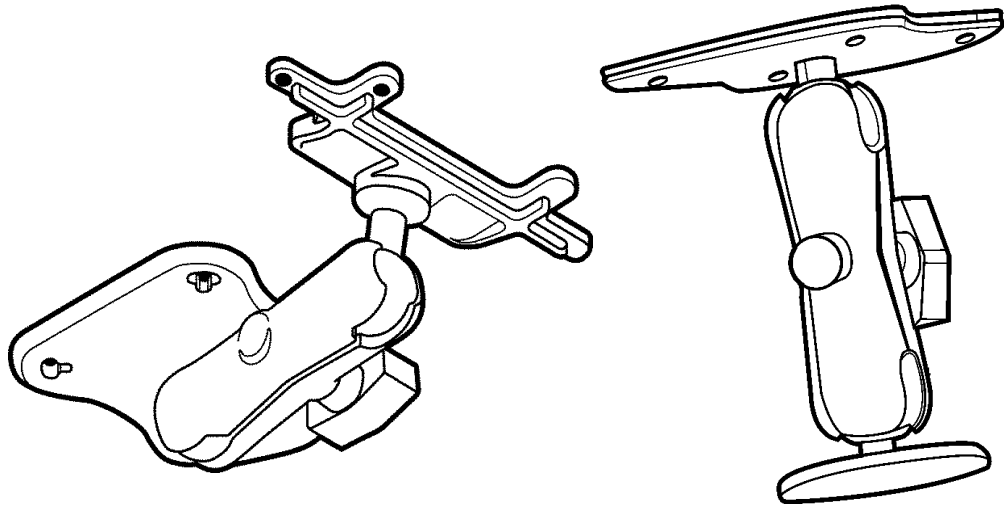


Installation Instructions

P/N 962-000-003
Revision C
December 1999



5055 Keyboard Mounts

P/N 962-000-003 Revision C



Intermec

A **UNOVA** Company

Introduction

These instructions show you how to install the keyboard and adjustable twin-ball mounting assemblies (compare illustrations with the parts in your kit) for the 5055 Data Collection PC. The machine screws furnished in this kit have preapplied threadlocker. If your mounting situation requires that you use nuts and bolts for installing the mount, you must obtain these locally. Lockwashers *are required* on any screws or bolts that are not supplied in this kit.

Attach Mount to Keyboard

Use four #8-32 x 1/2 screws with #8 fender washers (supplied in the mounting kit) to attach the twin-ball pedestal adjustable mount to the underside of the keyboard.

203-564-001 Mounting Kit

Ram 101B Mount 805-565-001 (1 each)
#8-32 x 1/2 screws 800-414-001 (8 each)
#8 fender washers 803-098-001 (4 each)

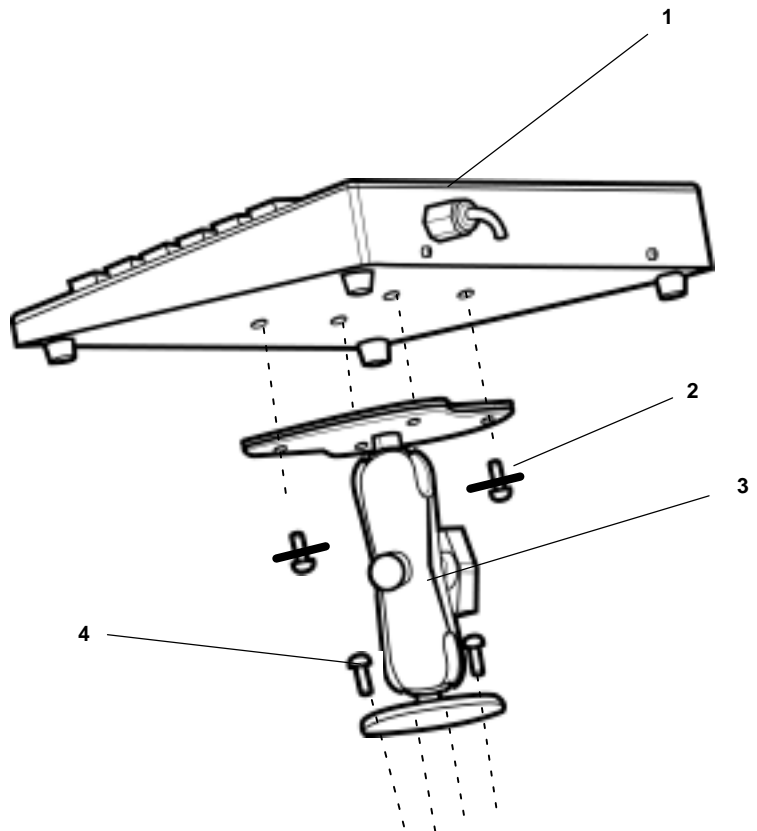
Surface Mount

Use the remaining four #8-32 x 1/2 screws (supplied in the mounting kit) to attach the keyboard/mount assembly to a solid surface.

If there are no tapped holes, you must either tap them yourself, or use other hardware not furnished in the mounting kit.

Any hardware not furnished in this kit must be purchased locally. *In all mobile mounting situations*, you must use either lockwashers or threadlocker to ensure the mount does not vibrate loose.

All hardware must be tightened securely. Recommended torque for #8 screws is 9-10 in/lbs.



1. Keyboard (NOT part of installation kit)
2. #8-32 x 1/2 screws w/washers (four required, 2 not shown)
3. Twin-ball pedestal mount (surface mount shown)
4. Mounting screws (four required, 2 not shown)

Introduction

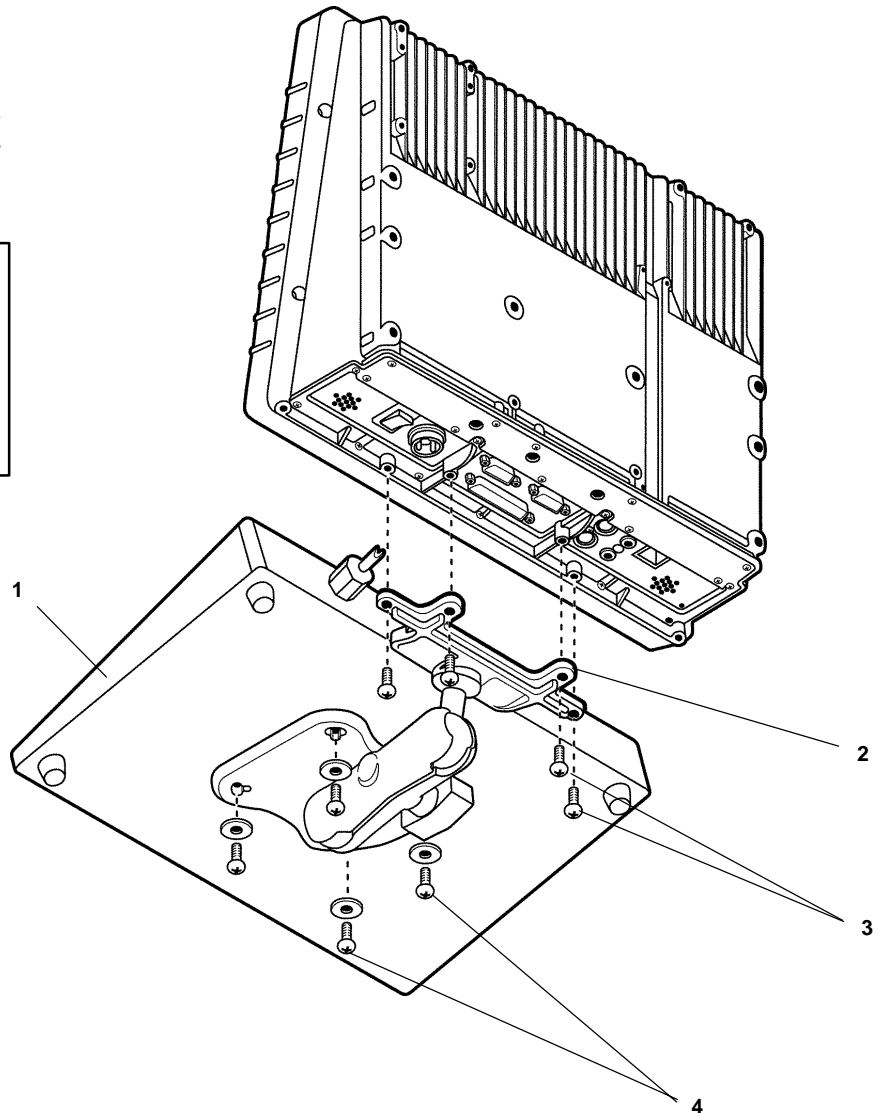
Follow the instructions below if your mounting kit includes the ball and adapter bracket for direct attachment to the 5055 Computer.

Attach Mount to Keyboard

Use four #8-32 x 1/2 screws with #8 fender washers (supplied in the mounting kit) to attach the twin-ball pedestal adjustable mount to the underside of the keyboard.

203-583-001 Mounting Kit

Ram Mount 805-569-001 (1 each)
#8-32 x 1/2 screws 800-414-001 (4 each)
#8 fender washers 803-098-001 (4 each)
#8-32 x 7/16 screws 800-414-002 (4 each)



Computer Mount

Use four #8-32 x 7/16 screws to attach the ball and adapter bracket to the underside of the 5055 Computer.

1. Keyboard (NOT part of installation kit)
2. Ball and adapter bracket
3. Attachment screws (8-32 x 7/16)
4. #8-32 x 1/2 screws w/fender washers