

CK60 Single Modem Dock Features

Environmental Specifications

Operating Temperature: +5°C to +40°C (+41°F to +104°F) using auxiliary battery charger
 0°C to +50°C (+32°F to +122°F) not using auxiliary battery charger

Operating above 35°C (95°F) extends the battery charge time beyond four hours.

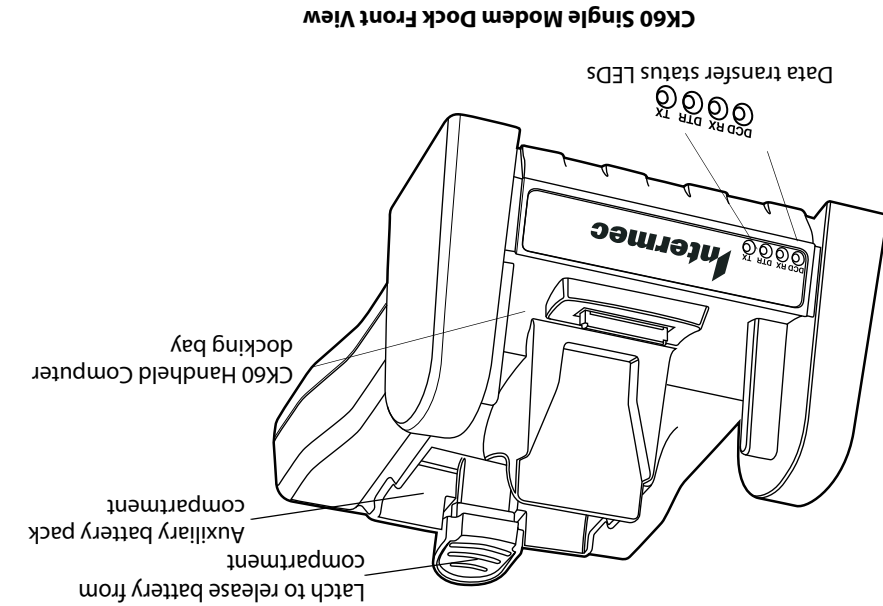
Consistent charging of batteries above 35°C (95°F) shortens battery service life.

Storage Temperature: -30°C to +70°C (-22°F to +158°F)

Relative Humidity: 5% to 95%

Modem Features

- AT Command Set
- 14.4 kbps to 56 kbps data speeds downstream
- Upstream data rate up to 48 kbps (V.92HM-T-W-NE)
- V.44 data compression (V.92HM-T-W-NE)
- V.42bis and MNP 5 data compression
- Fast Connect
- V.29 FastPOS support
- Digital Line Guard (DLG) Protection
- Transferable FCC68, Industrial Canada CS-03, CTR21 certified
- UL/CSA recognized
- Meets FCC Part 15, Class B EMI requirements



CK60 Single Modem Dock Features

Safety Warnings

- For use only with Intermec CK60 handheld computer.
- Use 26 AWG or larger telephone wire to reduce the risk of fire.
- Never install telephone wiring during a lightning storm.
- Never install a telephone jack in a wet location unless the jack is specifically designed for wet locations.
- Never touch uninstalled telephone wires or terminals unless the telephone line has been disconnected at the network interface.
- Use caution when installing or modifying telephone lines.
- Avoid using a telephone during an electrical storm; there is the remote risk of electrical shock.
- Do not use a telephone in the vicinity of a gas leak.

CK60 Single Modem Dock (AD6) Instructions



P/N 962-040-018E

Intermec

Worldwide Headquarters
 6001 36th Avenue West
 Everett, Washington 98203
 U.S.A.

tel 425.348.2600

fax 425.355.9551

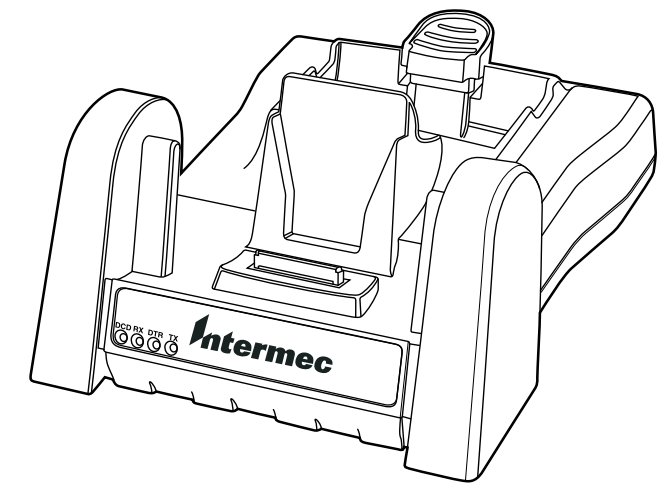
www.intermec.com

© 2010 Intermec Technologies Corporation. All rights reserved.



Intermec

Instructions



CK60 Single Modem Dock (AD6)

You must use the appropriate Intermec power supply with this device or equipment damage may occur.
 You need to purchase the appropriate power supply and power cord for your location. For more information, contact your Intermec sales representative.

- an AC power cord.
 - an Intermec-approved power supply.
- To use the CK60 Single Modem Dock you need:

What You Need

- CK60 Single Modem Dock
- CK60 Single Modem Dock Quick Instructions
- Product Warranty Card
- Compliance Insert

The CK60 Single Modem Dock shipping box should contain these items:

- power the CK60 Handheld Computer.
- charge a spare battery pack for the CK60 Handheld Computer.
- transfer data and applications via a dial-up connection.
- transfer data and applications through Universal Serial Bus (USB) Type A Host and or Type B Client connection.

The Intermec CK60 Single Modem Dock (Model AD6) can:

Out of the Box

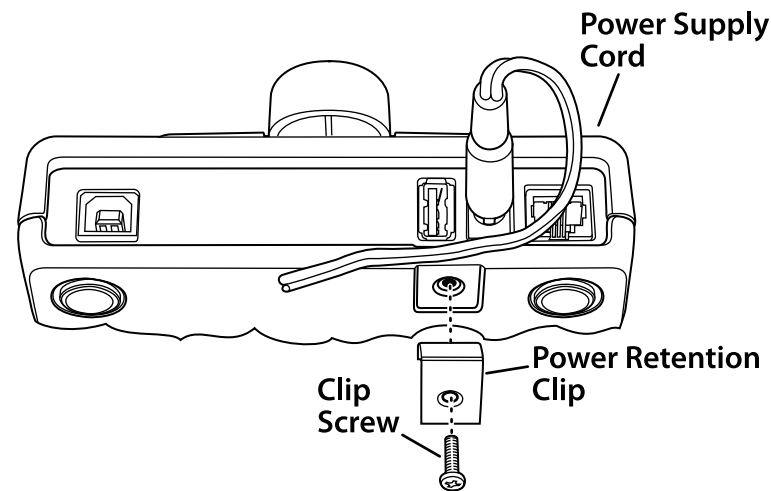
Installing the CK60 Single Modem Dock

- Place your CK60 single modem dock on a flat, stable, and clean surface within 6 feet (1.83m) of an AC power outlet.
- Connect the power supply to the power connector on the back of your single modem dock. Then connect the power supply to an AC power outlet.
- (Optional) Connect one or more of the following communication cables:
 - RJ11 phone cable
 - Universal Serial Bus (USB) client Type B cable to your PC for ActiveSync support.
 - USB Host Type A cable to a peripheral device such as a keyboard
- Connect the other end of the communication cable to a phone jack.
- Place your CK60 handheld computer in the single modem dock.

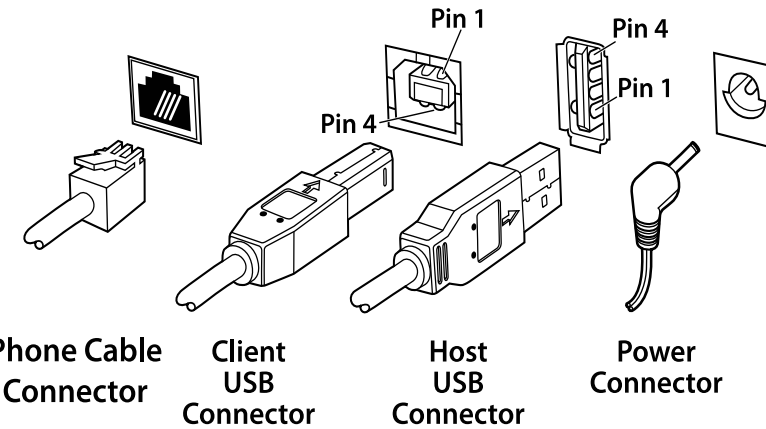
Installing the Power Cable Retention Clip

You can use the power cable retention clip to prevent the power cable being disconnected from the single modem dock. To install the power cable retention clip:

- With the CK60 single modem dock positioned so the bottom side is turned to the top, route the power supply cord through the power retention clip and connect it to the power supply connector.
- Attach and tighten the clip screw into the base of the CK60 single modem dock.



Cable Connectors



Auxiliary Battery Pack Charging Status LEDs

Condition	LED State
No battery pack installed	Off
Charge cycle in progress	Red
Charge cycle complete	Green
Fault condition	Yellow

Internal Modem Status LEDs

LED Name	Description
DTR	Green Data terminal ready (com port is open to modem)
DCD	Green Data carrier detect (modem has made connection)
TXD	Blinking Green Transmit data (CK60 is transmitting data to modem)
RXD	Blinking Green Receive data (CK60 is receiving data from modem)

USB-A Host Connector Pinouts

Pin Number	Signal Name	I/O to Computer	Description
1	VBUS	PWR	PWR_OUT To power USB peripherals
2	USBH_D-	I/O	USB Host data negative
3	USBH_D+	I/O	USB Host data positive
4	GND	PWR	Signal Ground
USB-A Shell	C-GND	PWR	Chassis Ground

USB-B Client Connector Pinouts

Pin Number	Signal Name	I/O to Computer	Description
1	VBUS	PWR	USBC_5V_DET
2	USBC_D-	I/O	USB Client data negative
3	USBC_D+	I/O	USB Client data positive
4	GND	PWR	Signal Ground
USB-B Shell	C-GND	PWR	Chassis Ground

The following table of country codes are for reference only. If you need to add a country code your application engineer does that through your CK60 handheld computer (**Start > Settings > Network and Dial-up Connection > Make New connection**).

Default Countries Supported

Country	Country Code	Country	Country Code	Country	Country Code
Austria	0A	Ireland	57	Slovenia	FC
Belgium	OF	Italy	59	Spain	A0
Cyprus	2D	Latvia	2D	Sweden	A5
Czech Republic	16	Liechtenstein	A6	Switzerland	A6
Denmark	31	Lithuania	B8	USA	B5
Estonia	F9	Luxembourg	69	United Kingdom	B4
Finland	3C	Malta	B4	TBR21	FD
France	3D	Netherlands	B5		
Germany	42	Norway	82		
Greece	46	Poland	8A		
Hungary	51	Portugal	8B		
Iceland	52	Slovakia	FB		