

Specifications

Environmental

Operating Temperature:	+5°C to +35°C (+41°F to +95°F)
Storage Temperature:	-30°C to +70°C (-22°F to +158°F)
Relative Humidity:	5% to 95%

Battery Pack Charging Status LEDs

Condition	LED State
No battery pack installed	Yellow
Charge cycle in progress	Red
Charge cycle complete	Green
Fault condition	Yellow

A fault condition displays and charging suspends if the battery temperature is outside the normal operating temperature for the charger. The fault clears and charging resumes when the battery temperature returns to the normal operating range.

If a fault condition does not clear under normal operating temperature range, this may indicate a defective battery.



Worldwide Headquarters
6001 36th Avenue West
Everett, Washington 98203
U.S.A.

tel 425.348.2600

fax 425.355.9551

www.intermec.com

© 2010 Intermec Technologies Corporation. All rights reserved.



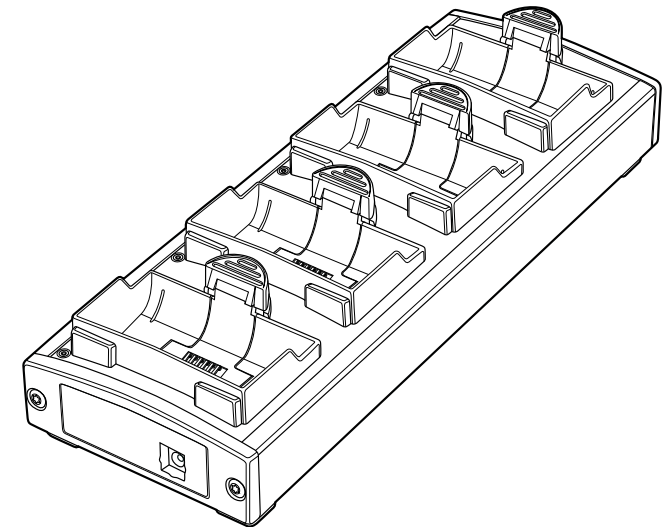
CK60/PB42 Quad Battery Charger (AC4) Instructions



P/N 962-000-044E



Instructions



CK60/PB42 Quad Battery Charger (AC4)

Out of the Box

The Intermec CK60/PB42 Quad Battery Charger (Model AC4) is an accessory for your CK60 Handheld Computer and PB42 Portable Printer. You can use your quad charger to charge up to four battery packs in less than four hours at normal room temperature (21°C/70°F).

The CK60/PB42 quad battery charger shipping box should contain these items:

- CK60/PB42 Quad Battery Charger
- CK60/PB42 Quad Battery Charger Instructions
- Product Warranty Card
- Compliance Insert

What you need

To use the CK60/PB42 quad battery charger, you need:

- an Intermec-approved power supply.
- an AC power cord.

You need to purchase the appropriate power cord and power supply for your location. For more information, contact your Intermec sales representative.

You must use the appropriate Intermec power supply with this device or equipment damage may occur.



Caution

The CK60/PB42 Quad Battery Charger is suitable for use only with Intermec battery pack P/N 318-015-002. Use of any other battery pack may present risk of fire or explosion hazard.

Important Battery Handling Recommendations

- Charge the battery immediately before use or within a couple of days of use.
- Do not short circuit the battery and keep it away from metallic items.
- Do not disassemble, open, or modify the battery.
- Do not expose the battery to excessive heat or fire.
- Do not store the battery at temperatures above 60°C (140°F), such as inside a car on a hot day or in direct sunlight, as this may damage the battery.
- Do not immerse the battery in water or get the battery wet.
- Do not solder directly to the battery contacts.
- For maximum battery efficiency, the recommended temperature for charging and storing batteries is 21°C (70°F).
- Keep the battery contacts clean and free of dust and other contaminants.
- Do not recharge batteries in locations that are extremely hot or cold, dusty or dirty, very humid, or subject to vibration.

Disposing of Batteries

When the battery reaches the end of its useful life, the spent battery should be disposed of by a qualified recycle or hazardous materials handler. If you are unsure of how to properly dispose of this battery, contact your local Intermec sales representative for disposal information.

CK60/PB42 Battery Charger Features

