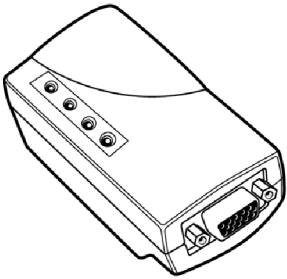


# Quick Start Guide

*P/N 961-031-019  
Revision A  
December 2001*

## Mini Landline 3.3 volt Modem



**Intermec**

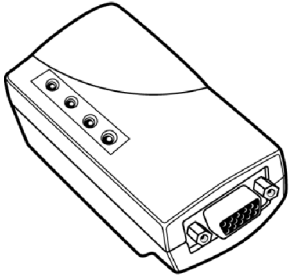
A **UNOVA** Company

*P/N 961-031-019 Revision A*

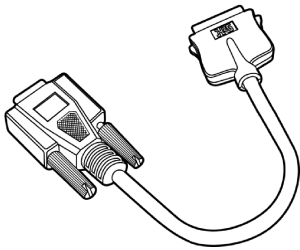


## **Packing List**

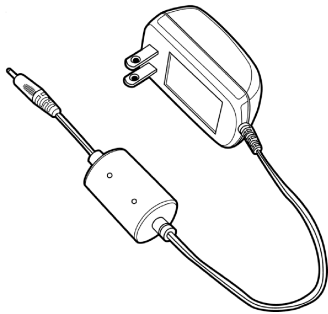
Check to ensure that you receive these items:



**Mini Landline Modem**



**Data Communication Cable**



**AC Power Supply**  
*(U.S. wallcharger shown)*

## **General Information**

This kit allows you to connect your Intermec Mobile Computer to any phone line for conducting dial-up communication sessions.

Using this mini landline modem requires you to follow the connection instructions and install and enable the modem software in your mobile computer.

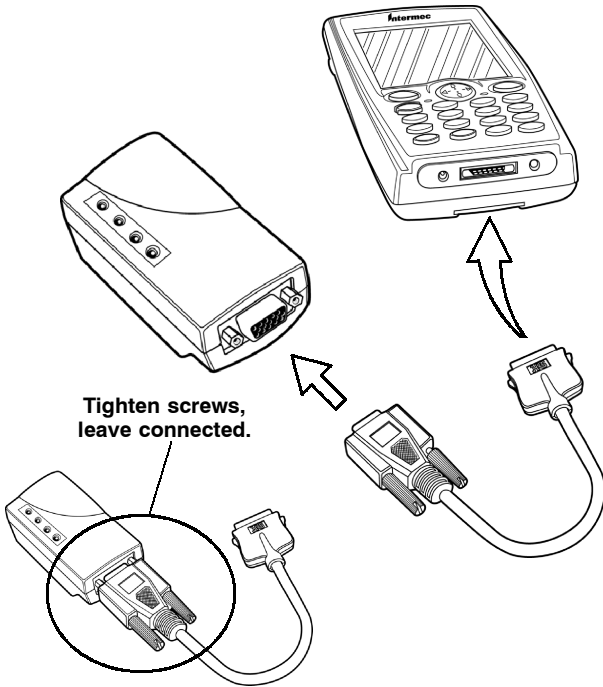
Here are some helpful guidelines:

- ▶ Once you connect the modem and data communication cable, leave it connected.
- ▶ Static electricity can damage electronic devices. If you are working in a high-static environment, discharge your body by touching a prominent metal object prior to handling the modem or other components.
- ▶ Most Intermec DOS applications can select the Mini Landline Modem DOS string through onboard software utilities. For other applications, use the following DOS string for TTY communications.  
**AT&FEOV1QOX4WO&S1&C1&D2/QSO=O**
- ▶ The 3.3 volt modem (p/n: 854-037-004) does not require the use of an external power supply because it draws its power from the 700 mobile computer.

- ▶ If your 700 mobile computer is low on power, or if you are working with a 600 mobile computer, you need to use the external power supply.
- ▶ For connecting instructions refer to the Power Supply to Modem Connections section in this guide.

## **Connections**

### **Modem to Mobile Computer**



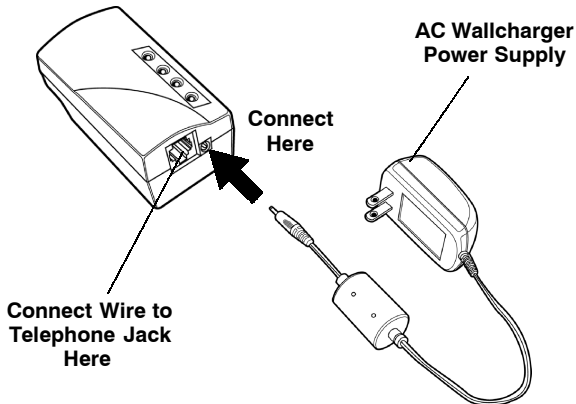
## Connections

### Power Supply to Modem

The external power supply is for using your modem with a 600 mobile computer or if your 700 mobile computer is low on battery power.

Shown below is the U.S. wallcharger type power supply. Exported units (not shown) have a power supply that requires a plug-in AC cord specific to the country where the modem is sold. Connect the power supply as shown in this figure and also connect the telephone cable.

► **NOTE:** Use only the correct power supply. Use of other supplies can damage your modem.



## **Country Identification**

Country Identification Code 34 is the default standard which works for most countries. To change the country code, use the following modem command string:

**AT%T19,O,XX**

(XX= country identification code, shown below)

For the countries listed change the *AT command set* to reflect the ID Code. Once changed, the country code change remains set to that specific country code until you reset the *command set*.

<b>Country</b>	<b>ID Code</b>
Hong Kong	30
Hungary	30
Indonesia	30
Japan	10
New Zealand	09
Poland	30
Singapore	30
Vietnam	30