



*PEN*KEY[®] 6622 Pen Computer*
USER'S GUIDE

NPN: 961-028-094
Edition 1.0
March 1997

" NOTICE

This publication contains information proprietary to Norand Corporation. It is being supplied to you with the express understanding that the information contained herein is for the benefit of the contracting party only, and may not be copied, distributed, or displayed to third parties without the express written consent of Norand Corporation, and shall be returned to Norand Corporation upon written request. If a purchase, license, or nondisclosure agreement has been executed, the terms of that agreement shall govern this document.

This publication is furnished for information only, and the information in it is subject to change without notice. Although every effort has been made to provide complete and accurate information, Norand Corporation assumes no responsibility or liability for any errors or inaccuracies that may appear in this document.

We welcome your comments concerning this publication. Although every effort has been made to keep it free of errors, some may occur. When reporting a specific problem, please describe it briefly and include the book title and part number, as well as the paragraph or figure number and the page number.

Send your comments to:
Publications Department
Norand Corporation
550 Second Street SE
Cedar Rapids, Iowa 52401
Telephone (319) 369-3100
Facsimile (319) 369-3453

® Registered trademark; Marca Registrada by Norand Corporation, Cedar Rapids, Iowa, U.S.A.

© Copyright 1997 Norand Corporation. All rights reserved.



This publication printed on recycled paper.

Acknowledgements

Ethernet is a trademark of Xerox Corporation.

MICRO-CLEAN II is a registered trademark of Foresight International, Inc.

Microsoft, MS, MS-DOS, Windows, and Windows 95 are registered trademarks and *Visual Basic for Windows*, and *Windows for Pen* are trademarks of Microsoft Corporation.

PenRight! and *PenRight! Pro* are trademarks of PenRight Corporation.

PS/2 is a trademark of IBM Corporation.

CIC Handwriter Recognition System 5.0 is a trademark of Communication Intelligence Corporation.

The *IrDA* trademark is owned and licensed by the Infrared Data Association.

Sound Blaster Pro is a registered trademark of Creative Labs, Inc.

FCC Computer Compliance

" NOTICE

This equipment meets Class B digital device limits per Part 15 of FCC Rules. These limits protect against interference in a residential area. It emits, uses, and can radiate radio frequency energy. If you do not install and use the equipment according to its instructions, it may interfere with radio signals. However, there is no guarantee that interference will not occur in a particular installation.

If this equipment does cause harmful interference to radio or television reception, which can be determined by turning our equipment off and on, the user is encouraged to try to correct the interference by one or more of the following measures:

- Reorient or relocate the radio or television receiving antenna.
- Increase the separation between the computer equipment and receiver.
- Connect the equipment into an outlet on a circuit different from that to which the radio or television receiver is connected.
- Consult the dealer or an experienced radio or television technician for help.

Canadian Computer Compliance

This Class B digital apparatus meets all requirements of the Canadian Interference-Causing Equipment Regulations.

Cet appareil numérique de la classe B respecte toutes les exigences du Règlement sur le matériel brouilleur du Canada

Telephone Installation Warning Notices

The following notices apply to equipment that may be connected to telephone lines or systems. For your personal safety, and to protect this equipment from potential electrical or physical damage, do NOT connect equipment to telephone lines or data communication equipment unless the following warnings have been read, understood, and complied with.

- Never install telephone wiring during a lightning storm.
- Never install telephone jacks in wet locations unless the jack is specifically designed for wet locations.
- Never touch uninsulated telephone wires or terminals unless the telephone line has been disconnected at the network interface.
- Use caution when installing or modifying telephone lines.
- Avoid using telephone (other than cordless type) during an electrical storm. There may be a remote risk of electric shock from lightning.
- Do not use the telephone to report a gas leak in the vicinity of the leak.

Installation du téléphone : avertissements

Les avertissements qui suivent s'appliquent à tout équipement qui peut être branché aux lignes ou systèmes téléphoniques. Pour votre sécurité personnelle et pour protéger l'équipement de tout dommage électrique ou physique potentiel, NE PAS brancher un ordinateur, tablette électronique ou ses périphériques aux lignes téléphoniques ou équipements avant que les avertissements suivants aient été lus, compris et observés :

- Ne jamais installer de câblage téléphonique pendant un orage électrique.
- Ne jamais installer de prise téléphonique dans un endroit humide à moins que la prise ait été spécifiquement conçue pour être utilisée dans les endroits humides.
- Ne jamais toucher les fils de téléphone ou de l'équipement terminal non isolés à moins que la ligne téléphonique n'ait été débranchée de l'interface réseau.
- User de prudence lors de l'installation ou de la modification de lignes téléphoniques.
- Éviter d'utiliser un téléphone (autre qu'un appareil téléphonique sans fil) pendant un orage électrique. Il pourrait y avoir un faible risque d'électrocution par la foudre.
- Ne pas utiliser le téléphone afin de signaler une fuite de gaz à proximité de la fuite.



WARNING:

Danger of explosion if battery is incorrectly replaced. Replace only with the same or equivalent type recommended by the manufacturer. Discard used batteries according to manufacturer's instructions.



WARNING:

La batterie au lithium peut exploser si elle est remplacée de manière incorrecte. Elle ne doit être remplacée que par une batterie identique ou similaire.



WARNING:

Les batteries au lithium peuvent exploser ou prendre feu si elles sont trop chargées à cause d'une mauvaise installation de la station d'accueil.

CONTENTS

SECTION 1	
Overview	1-1
Introduction: About this Manual	1-1
Summary of Sections	1-2
Section 1, General Information	1-2
Section 2, Using the Pen Computer for the First Time	1-2
Section 3, Software	1-2
Section 4, Operating the Pen Computer	1-2
Section 5, Connecting Peripheral Equipment	1-2
Section 6, Troubleshooting	1-2
Overview	1-3
The PEN*KEY [®] 6622 Pen Computer	1-3
Computer Description	1-5
Opening the Top Cover	1-5
Lock	1-6
Removing the Top Cover	1-8
Top Cover Release Lever	1-8
Front View	1-10
Power Button	1-10
Power Lamp	1-11
Battery Lamp	1-11
Speaker	1-11
Touch Pen	1-12
Side View	1-13
Rear View	1-14
Infrared Communications Port	1-14
Right Mouse Button	1-14
Bottom View	1-15
RESET Switch	1-16
AC Adapter/Recharger	1-17
Power lamp	1-17

Internal/External Battery Pack Charging Lamps	1-18
SECTION 2	
Using the Pen Computer for the First Time	2-1
Connecting the AC Adapter/Recharger	2-2
Touch Pen Input	2-4
Selecting an Item (pointing)	2-4
Moving Items/Resizing Windows	2-4
Inputting Text	2-5
System Startup	2-5
Startup	2-5
SECTION 3	
Software	3-1
General Information	3-1
Software Included with the 6622 Pen Computer	3-1
Windows 95	3-1
MS DOS Screen	3-1
MS DOS Prompt	3-2
MS DOS Mode	3-2
Windows 95 Help	3-2
Help With Operating Procedures	3-2
Contents	3-3
Keyword	3-3
Help Regarding Items on the Screen	3-4
Changing the Screen Background	3-4
Setup Utility	3-5
Pen*Key Tool	3-6
Adjusting the Backlight and Checking Capacity	3-7
Suspend Execution	3-8
Changing the Numeric Keypad Assignments	3-9
Checking the Version of the Pen*Key Tool	3-10
Exiting the Pen*Key Tool	3-10
CIC Handwriting Recognition	3-10

SECTION 4	
Operating the Pen Computer	4-1
Battery Packs	4-1
Charging Battery Packs	4-1
Charging Battery Packs in the AC Adapter/Recharger	4-3
Charging a Battery Pack in the Pen Computer	4-4
Charging Battery Packs in the Pen Computer and the AC Adapter/Re- charger	4-5
Installing the Battery Pack	4-6
Remaining Battery Pack Capacity Display	4-7
Confirming the Remaining Battery Pack Capacity	4-7
Insufficient Remaining Battery Pack Capacity	4-9
Charging and Operating Times	4-10
PC Cards	4-11
Fax/modem Card	4-11
Network Interface Card	4-11
SCSI Interface Card	4-11
ATA Device	4-11
SRAM Memory Card	4-11
Flash Memory Card	4-11
Inserting a PC Card	4-12
Removing a PC Card	4-13
 SECTION 5	
Connecting Peripheral Equipment	5-1
Notes on Handling the Equipment	5-2
Storing the battery packs	5-2
Connecting Peripheral Equipment	5-3
Serial Devices	5-4
Serial Port Setting	5-4
Connectors	5-5
Keyboard/Mouse	5-5
Connecting Speakers/Microphone/Headset	5-5

SECTION 6

Troubleshooting	6-1
The power lamp does not light	6-2
The display is blank.	6-2
The system will not start up.....	6-2
The correct date and time are not displayed.....	6-2
Data cannot be written to or read from a floppy disk.....	6-3
Data cannot be written to or read from the hard disk.....	6-4
An expansion device or peripheral device does not function.....	6-4
Output cannot be directed to the printer.....	6-4
The device connected to the RS 232C connector does not work.....	6-5
Infrared communications do not work.....	6-5
PC Cards Do Not Function (in MS DOS Mode).....	6-5

FIGURES

Figure 1-1 The PEN*KEY 6622 Pen Computer	1-3
Figure 1-2 Top Cover	1-5
Figure 1-3 Locking the Top Cover	1-6
Figure 1-4 Top Cover Stand	1-7
Figure 1-5 Top Cover Release Lever	1-8
Figure 1-6 Removing the Top Cover	1-9
Figure 1-7 Front View	1-10
Figure 1-8 Pen Removal	1-12
Figure 1-9 Side View	1-13
Figure 1-10 Rear View	1-14
Figure 1-11 Bottom View	1-15
Figure 1-12 Reset Switch	1-16
Figure 1-13 AC Adapter/Recharger	1-17
Figure 2-1 AC Adaptor/Recharger	2-3
Figure 2-2 Pen Operation	2-4
Figure 4-1 Battery Pack Capacity Check	4-2
Figure 4-2 Inserting the Battery	4-3
Figure 4-3 Charging Batteries in the Pen Computer.....	4-4
Figure 4-4 Charging Battery Packs.....	4-5
Figure 4-5 Inserting the Battery	4-6
Figure 4-6 Battery Pack Capacity.....	4-7
Figure 4-7 Inserting the PC Card.....	4-12
Figure 4-8 Card Eject Button	4-13

Section 1

Overview

Introduction: About this Manual

This manual is divided into six sections.

- " Section 1 Overview
- " Section 2 Using the Pen Computer for the First Time
- " Section 3 Software
- " Section 4 Operating the Pen Computer
- " Section 5 Connecting Peripheral Equipment
- " Section 6 Troubleshooting

Summary of Sections

Section 1, General Information

Provides a general description of the Pen*Key 6622 Pen Computer, including its main functions.

Section 2, Using the Pen Computer for the First Time

Provides a step by step explanation of how to set up and operate the pen computer so that you can begin to use it quickly.

Section 3, Software

This section describes how to use the setup utility, and also provides an overview of the software included with the pen computer, and an explanation of the power management functions, etc.

Section 4, Operating the Pen Computer

This section explains the operation of the power supply, the hard disk drive, the display system, the PC card slots, and other functions.

Section 5, Connecting Peripheral Equipment

This section tells how to expand the system, including how to connect a printer or a floppy disk drive.

Section 6, Troubleshooting

This section explains what to check if the pen computer does not operate correctly.

Overview

The PEN*KEY[®] 6622 Pen Computer



Figure 1-1
The PEN*KEY 6622 Pen Computer

The PEN*KEY 6622 Pen Computer is a compact, lightweight pen computer. It features:

- Windows 95 operating system, and supports a variety of commercial software development environments.
- Sophisticated power management functions that conserve battery power by automatically blocking the supply of power and clock signals to peripheral devices and system components that are not currently in use.
- Serial and parallel devices, a floppy disk drive support, an external keyboard and an external mouse.

- " PC Card slots that can accommodate Type I/II or Type III PC Cards.
- " Sound Blaster Pro and Windows sound system-compliant 16-bit audio system, an audio input/output jack, and a monaural speaker.
- " 8.4-inch color TFT liquid crystal display with 640 x 480 dots that can display up to 65,536 colors.
- " Numeric keypad input
- " Accepts pen input thanks to its highly effective handwriting recognition capabilities.
- " Support for both the ASK system and the IrDA system for infrared communications.

Computer Description

Opening the Top Cover

Perform the procedure described below to open the top cover.

1. Slide open the lock located on the top cover of the pen computer, then open the cover.

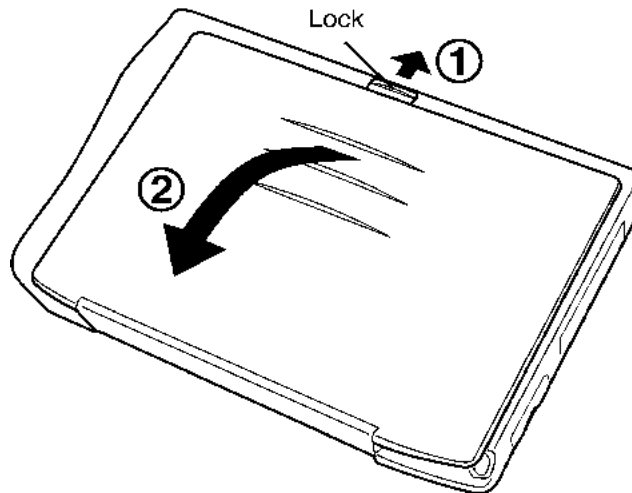


Figure 1-2
Top Cover

Lock

2. Swing the top cover around until the lock on the bottom of the pen computer clicks, indicating the top cover is secured in place.

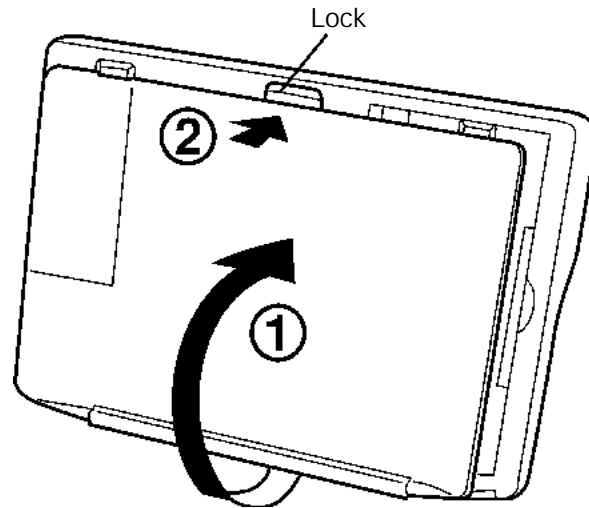


Figure 1-3
Locking the Top Cover

B CAUTION: *Do not block the air vents on the bottom of the pen computer with the top cover for an extended period of time. Doing so could cause the internal temperature of the pen computer to rise, resulting in damage to it.*

When using the pen computer on a desk, unfold the stand so that the unit is raised.

If you will be holding the pen computer in your hand while using it, remove the top cover and attach the neckstrap.

" **NOTE:**

To close the top cover, slide open the lock on the bottom of the pen computer, and then reverse the process of opening the top cover.

The top cover can also be used as a base for the stand.

Unfold one of the stands on the bottom of the pen computer, and then set it in one of the notches on the top cover.

The stands can be adjusted so that the pen computer stands at an angle of 10_, 20_, or 35_.

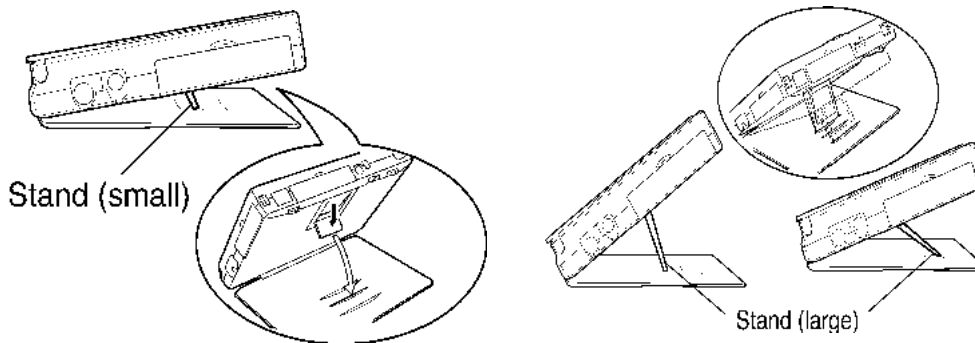


Figure 1-4
Top Cover Stand

Removing the Top Cover

Perform the procedure described below to remove the top cover.

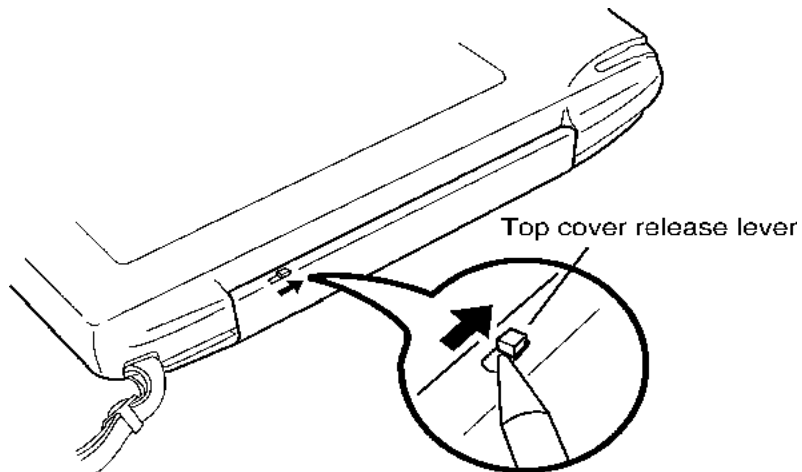


Figure 1-5
Top Cover Release Lever

Top Cover Release Lever

- " Slide the release lever in the direction indicated by the arrow, then release the top cover.
- " To re-attach the top cover, simply reverse the process by which you removed it.

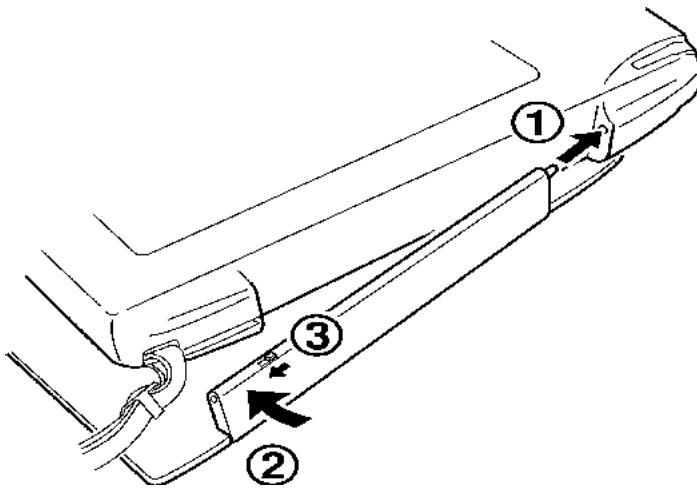
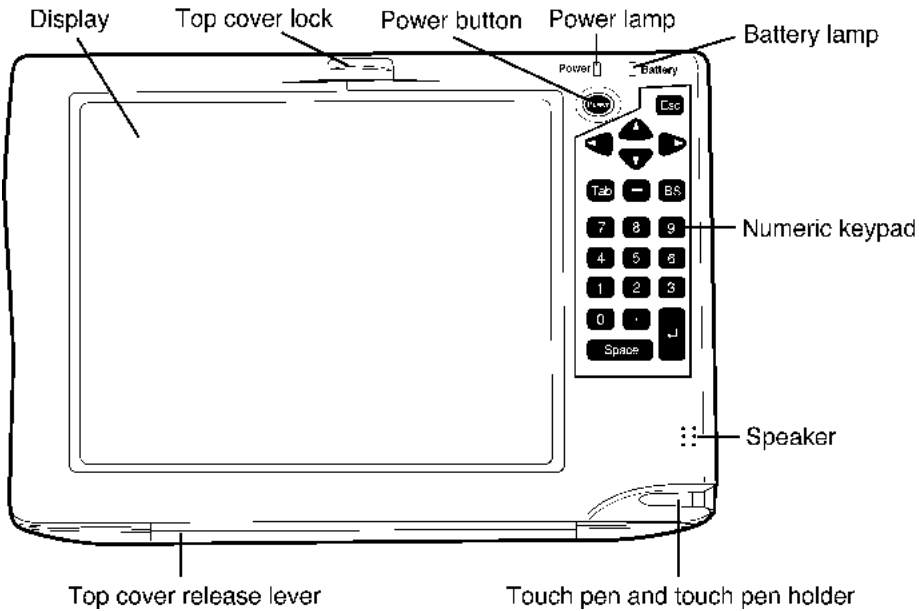


Figure 1-6
Removing the Top Cover

B CAUTION: When carrying the pen computer, be careful not to let it bump into things. Bumping the display in particular can damage the LCD.

Front View

*Figure 1-7
Front View*

Power Button

In addition to turning the power on and off, the power button can be used as a suspend/resume switch, based on the setup settings.

Depending on the state that the pen computer is in, the power button might not function. In that case, use the RESET switch on the bottom of the pen computer to turn off the power. (See page 1-15 for a description of the bottom of the pen computer.) If pressing the RESET switch also fails to turn off the power, the pen computer is malfunction-

ing. Disconnect the AC adapter and the internal battery pack, and then contact your sales representative or a Norand service center.

Power Lamp

When this lamp is green, the pen computer is operating.

When this lamp is red, the pen computer is in the suspend-to-RAM state.

If this lamp is off, the pen computer is either not operating or is in the suspend-to-disk state.

B CAUTION: *Do not disconnect both the AC adapter/recharger and the battery pack while the power lamp is red or green. Doing so will cause the program and data in memory to be lost.*

Battery Lamp

When this lamp is green, it indicates that power is being supplied by the AC adapter/recharger. In addition, if the battery pack is installed in the pen computer, the battery pack is being charged too.

When this lamp is off, it indicates that the pen computer is running off battery power.

When this lamp is red, it indicates that the battery voltage has dropped and that there is little battery capacity remaining.

Speaker

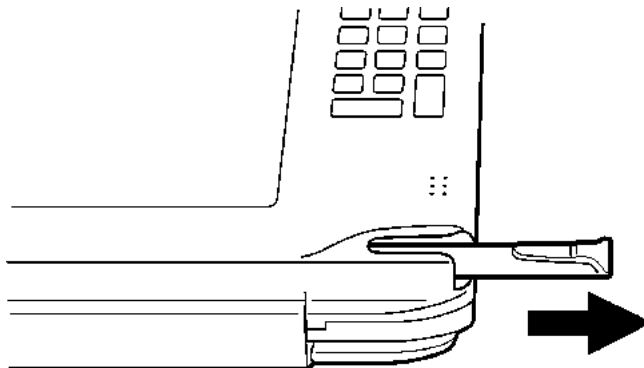
This speaker outputs audio from the internal sound source and recorded audio.

B CAUTION: *Do not place a floppy disk, hard disk, or other magnetic media on top of the speaker. The magnet in the speaker could damage data on the disk.*

Touch Pen

To remove the touch pen, pull it straight out to the right.

To place the pen back in the pen holder, align the projection on the pen with the groove in the pen holder and then gently slide the pen into the holder. Make sure that you push the pen all of the way in until it locks in place, so that it will not fall out unexpectedly.



*Figure 1-8
Pen Removal*

" NOTE: *Clean the tip of the touch pen and the screen before using the touch pen on the screen. If you use the touch pen on the screen while either is dirty, the display could become scratched or the pen might not move smoothly on the display surface.*

B CAUTION: *Use only the touch pen provided. Do not use a wood pencil, mechanical pencil, or any other sharp object. Doing so will scratch the screen.*

Side View

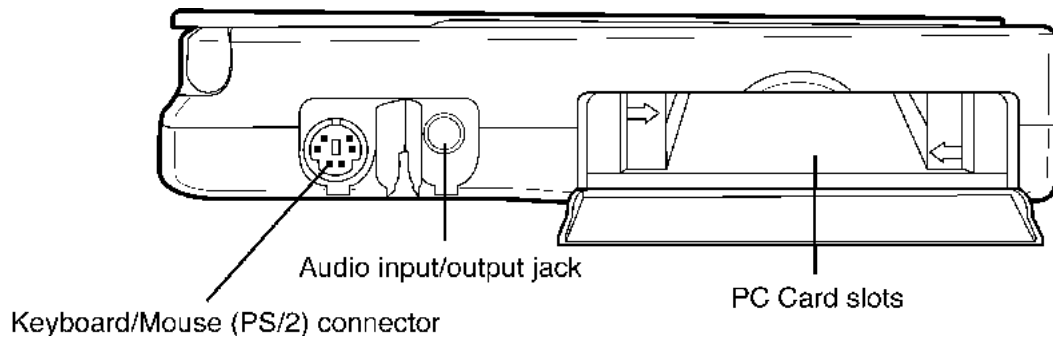
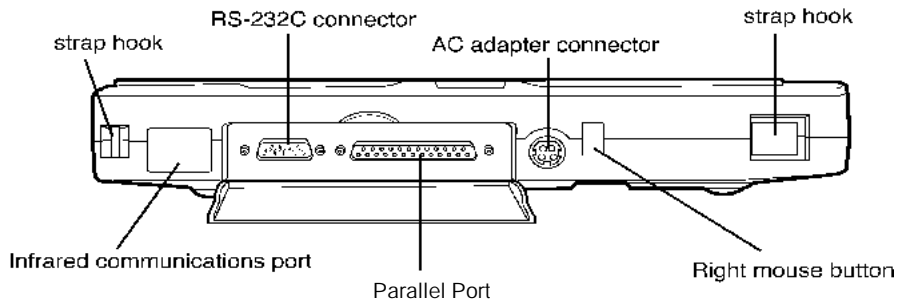


Figure 1-9
Side View

Rear View



*Figure 1-10
Rear View*

Infrared Communications Port

This port is used by devices that use infrared communications, such as a PDA (personal digital assistant), or certain other computers and IR printers.

" **NOTE:** *The Pen*Key 6622 infrared communications capabilities cannot be used while the floppy disk drive is operating, and vice versa.*

" **NOTE:** *If the infrared communications port is dirty, wipe it with a dry, soft cloth. Communications errors may result if the port is used while it is dirty.*

Right Mouse Button

Holding down this button and then tapping the screen has the same function as clicking the right mouse button on a two button mouse.

Bottom View

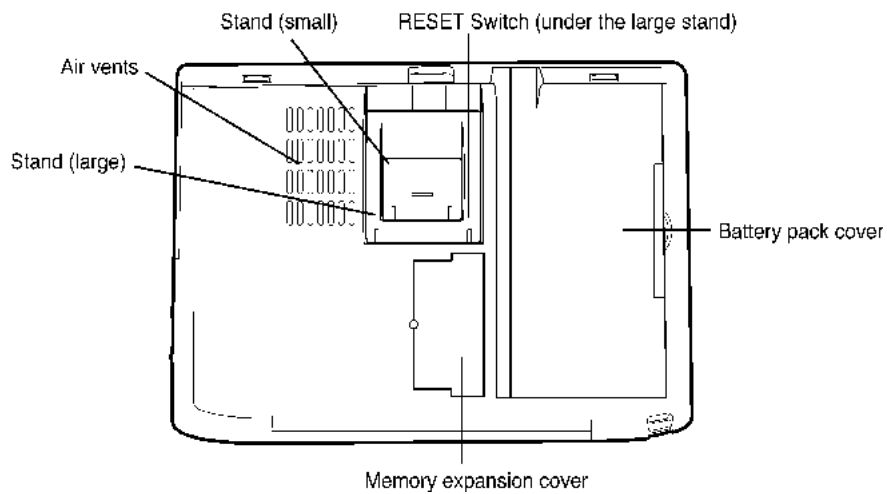
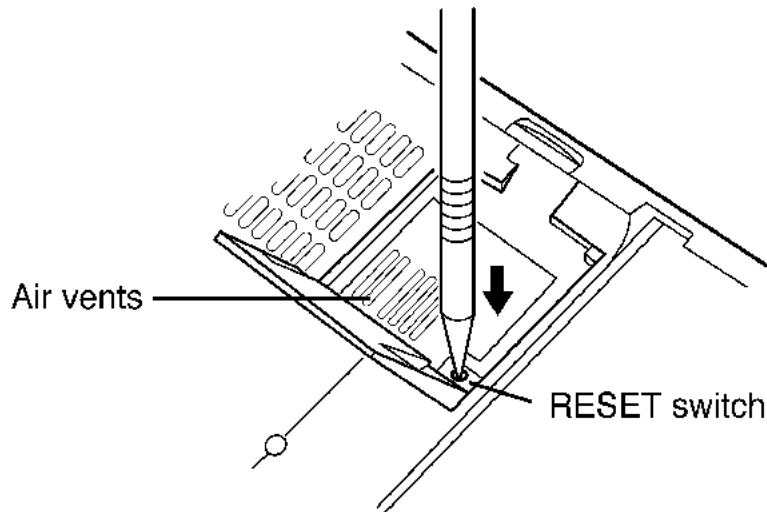


Figure 1-11
Bottom View

The air vents allow the pen computer to dissipate internal heat. Do not block these vents with the top cover, etc., for an extended period of time.

RESET Switch

If the power button and software reset do not work, press this switch with the tip of the touch pen in to turn off the power.



*Figure 1-12
Reset Switch*

- " **NOTE:** *If the RESET switch is pressed, any data in memory is lost.*
- " **NOTE:** *Be careful not to inadvertently press the reset switch when folding in the stand, etc.*

AC Adapter/Recharger

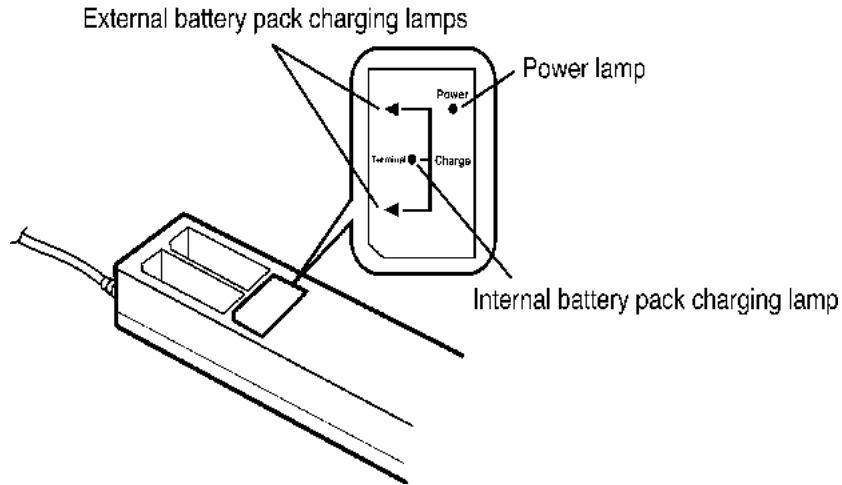


Figure 1-13
AC Adapter/Recharger

Power lamp

When this lamp is green, the AC adapter/recharger is connected to an AC power supply.

When this lamp is off, the AC adapter/recharger is not connected to an AC power supply.

If flashing, an abnormality has occurred. Unplug the AC adapter/recharger, wait at least 10 seconds, and then plug it back in. If this lamp still flashes, a malfunction has occurred. Disconnect the AC adapter/recharger and the battery packs, and then contact your dealer or a No-rand service center.

Internal/External Battery Pack Charging Lamps

When any of these lamps is orange, the battery pack in question is being charged.

If any of these lamps is off, either charging is complete, or charging will be completed within one hour. These lamps are also off when no battery pack is connected.

If the internal battery pack lamp is flashing slowly, the battery pack in the pen computer is charging. If one of the external battery pack lamps is flashing slowly, the corresponding battery packs installed in the AC adapter/recharger is waiting for charging. If any of these lamps is flashing quickly (at about a 0.3 second interval), an abnormality has occurred. Make sure that the battery packs are installed correctly and that there is no foreign matter on any of the battery terminals. Then unplug the AC adapter/recharger, wait at least 10 seconds, and then plug it back in. If any of the lamps still flashes, a malfunction has occurred. Disconnect the AC adapter/recharger and the battery packs, and then contact your Norand service center.

Section 2

Using the Pen Computer for the First Time

This chapter provides essential information that you need to know before using the pen computer and also explains the necessary procedures for using the pen computer.

Connecting the AC Adapter/Recharger

Connect the AC adapter/recharger provided with the PEN*KEY^R 6622 Pen Computer to the AC adapter connector on the pen computer.

- B CAUTION:** *Use the included power cord, or use a minimum 6 foot or 10 foot long maximum UL approved type SPT 2, 2/18 AWG cord which is in conformity with NEC and rated plug 125V 10A and connector 125V 7A.*
- B CAUTION:** *Always grasp the plug when plugging in or unplugging the power cord.*
- B CAUTION:** *In order to prevent data from being damaged due to a power failure, etc, when using an AC power supply, always have at least one battery pack installed if possible. (Refer to "Battery Packs" on page 4-1.)*

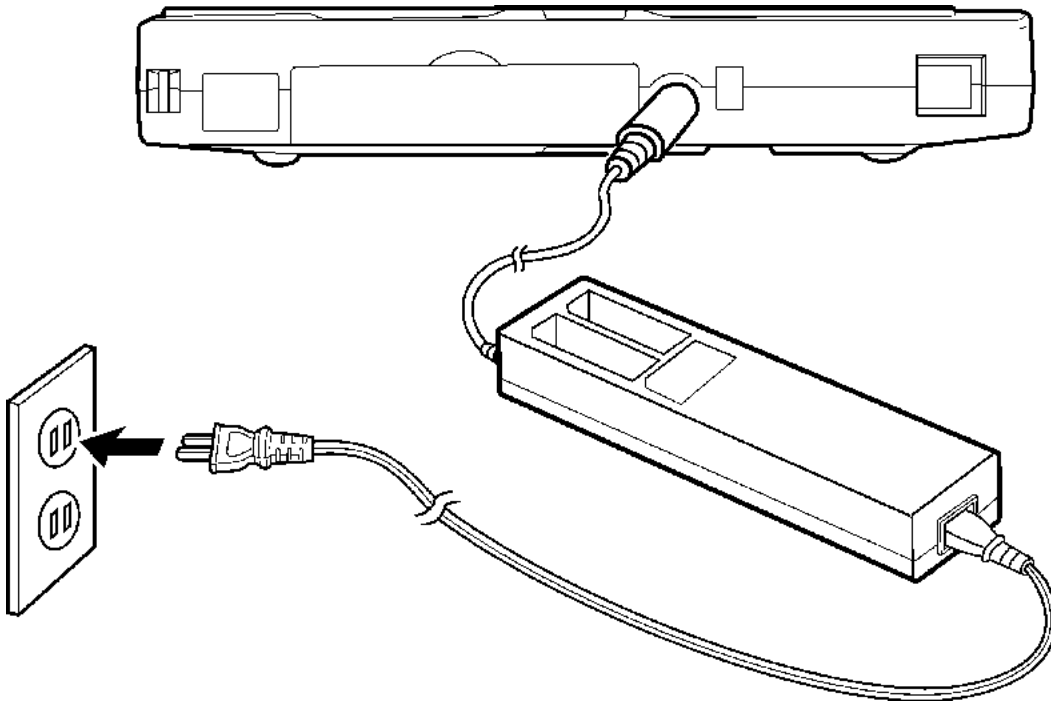


Figure 2-1
AC Adaptor/Recharger

Touch Pen Input

The Pen*Key 6622 Pen Computer is equipped with a touch pen to select items displayed on the LCD screen and to input text and drawings.

Selecting an Item (pointing)

To select an item, press the touch pen on the item to be selected and then remove the touch pen, without moving it on the display. This operation is called "tapping", and is equivalent to clicking the left mouse button. This operation is used to select menu items, click buttons and select icons.

Making two consecutive taps is called "double tapping." A double tap is equivalent to double clicking the left mouse button. This operation is used to start up programs, etc.

Moving Items/Resizing Windows

To move an item, touch the touch pen to the item and then slide the touch pen over the screen (keeping it in contact with the screen) to the desired location. This operation is called "dragging." This operation is equivalent to dragging with a mouse, and is used to move windows, etc.

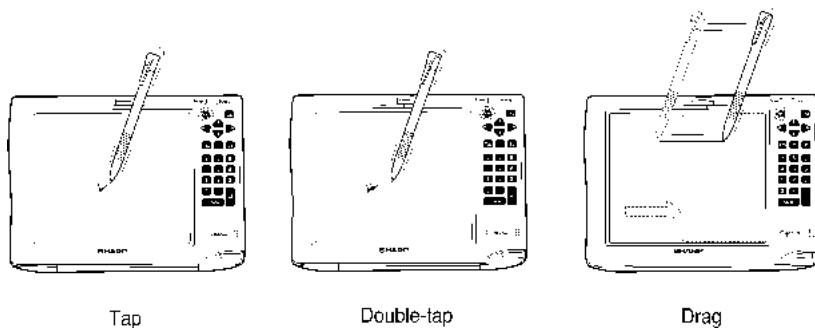


Figure 2-2
Pen Operation

To resize a window, drag the window edge.

Inputting Text

To input text, simply touch the touch pen to the screen and write, just like writing on paper with a pen.

" **NOTE:** *Because resistive film technology is used in the pen computers' touch panel, the pen will not work properly if you place your hand on the screen while writing with the touch pen.*

System Startup

Startup

1. Press the [POWER] button.

The pen computer automatically executes its Power On Self Test (POST). This test checks the pen computer's memory, system board and other devices before initiating normal operations.

2. Windows 95 starts up.
3. The first time Windows 95 starts up, perform the Windows 95 setup process. To set up Windows, follow the instructions displayed on the screen.

An icon named "Onscreen Keyboard" is displayed on the setup screen. If you double-click this icon, a keyboard displays on the screen that you can use to input items.



If the keyboard is obstructing part of the display, you can tap the center icon, which appears in the upper right corner of the keyboard; tapping [] closes up the keyboard so that only the icon is displayed.

4. Input your name, company name, and the product ID from the "Certificate of Authenticity."
5. Indicate your acceptance of the licensing terms for using Windows 95
6. Make environment settings, such as the printer, date and time, etc.

After completing the setup process, restart your system.

Section 3

Software

General Information

The pen computer includes a setup utility that stores the basic system configuration and the power management settings. This chapter explains how to use the setup utility to set up the pen computer, the PEN*KEY^R tool, and how to re-install software.

Software Included with the 6622 Pen Computer

Before the pen computer is shipped from the factory, the hard disk is formatted and the following software is installed.

The folders on the hard disk are organized as shown below.

- " Windows Windows 95 system
- " CIC handwriting recognition

Windows 95

A computer's operating system is the basic software that controls the computer so that it can run application software. The pen computer uses Microsoft's Windows 95 as its operating system. Application software must be compatible with this operating system in order to run on the pen computer.

For details on Windows 95, refer to the Windows 95 Help function.

MS DOS Screen

Windows 95 provides two types of environments that allows you to start up MS DOS applications. The symbol "C:>" displayed on these

screens is called the "MS DOS prompt." This prompt indicates that MS DOS is awaiting input.

MS DOS Prompt

The MS DOS prompt is displayed by tapping "MS DOS Prompt" under "Programs" in the Start menu.

With the MS DOS prompt, it is possible to make settings such as the font and window size; it is also possible to cut and paste text between MS DOS applications.

MS DOS Mode

The MS DOS mode is displayed by tapping "Restart the computer in MS DOS mode?" in the dialog box when "Shut Down" is selected from the Start menu.

Compared to the MS DOS prompt, MS DOS mode offers better compatibility with MS DOS applications.

" **NOTE:**

For details on the MS DOS prompt and MS DOS mode, refer to the Windows 95 Help function.

Windows 95 Help

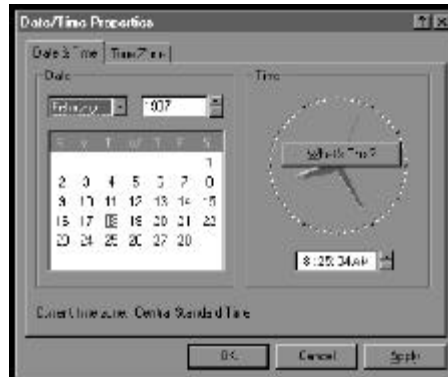
The Help function is one of the main information resources for Windows 95. There are two types of help: help that explains specific operating procedures, and help that explains an item displayed on the screen.

Help With Operating Procedures

A list of help topics is displayed when you tap on "Help" in the Start menu. The window changes to a search window if you tap on either the "Contents" or the "Keyword" tab at the top of the dialog box.

Help Regarding Items on the Screen

If a window has a [?] button, you can use it to see explanations of various items on the screen. Tap [?] and then tap the item in question.



Changing the Screen Background

A variety of different types of “wallpaper” (bit mapped files for display in the background) are included in the pen computer. You can select whichever one suits your own taste.

1. Under “Settings” on the Start menu, tap “Control Panel.”
2. Double tap “Display.”
3. Specify a file from the “Wallpaper” list.

The names of wallpaper files created for this pen computer are listed below. You can use “Browse” to specify one of these files.

Directory C:Wallpaper

File names:

sea.bmp (1.6 million colors)

chaos.bmp (1.6 million colors) Only 65,536 colors are displayed

tool.bmp (1.6 million colors)

leather.bmp (1.6 million colors)

isea.bmp (256 colors)
ichaos.bmp (256 colors)
itool.bmp (256 colors)
ileather.bmp (256 colors)

" 4) Tap [OK].

" **NOTE:** *Because the 1.6 million-color wallpapers use a lot of memory, some application software might not run if one of these is selected. In this event, specify a different type of wallpaper.*

Setup Utility

- " The Setup utility is used to change settings in the following types of situations:
- " When setting the date or time
- " When making power management settings
- " When expanding the system by adding peripherals

" **NOTE:** *The settings made through the setup utility are stored in a special type of memory called "CMOS RAM." Because the contents of this memory are maintained by the internal backup battery, these settings are not lost even if the power is turned off or the system is reset. When the system power is turned on, the system reads the information stored in CMOS RAM and compares the information with that obtained through the environment check performed by the Power On Self Test (POST). If an error is detected, an error message is displayed on the screen and instructions to execute the Setup utility are also displayed.*

" **NOTE:** *The pen computer has an internal lithium ion battery that it uses as a backup power supply for CMOS RAM. If the pen computer is not used for an extended period (at least six months), the backup battery may become exhausted and the contents of CMOS RAM will be lost. The backup battery can be recharged in about eight hours, either by installing a fully charged battery pack (NPN:871-006-020) in the pen computer, or by connecting the AC adapter/recharger.*

Pen*Key Tool

The Pen*Key tool confirms and sets the backlight, the battery, suspend execution, key changes, etc.



There are two methods for starting up this tool:

- Tap on either the battery icon or the Pen*Key tool icon in the Windows 95 taskbar, if they are displayed.

When the system is running off of AC power:

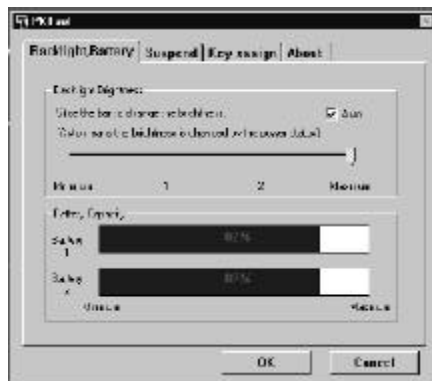


- Tap the Pen*Key tool in the Program menu under the Start menu.

Adjusting the Backlight and Checking the Remaining Battery Capacity

- " 1) Tap on the Backlight/Battery tab.
- " 2) The backlight brightness can be set to one of four levels. To adjust the brightness, tap the desired level.
- " 3) To adjust the brightness to that level, tap [OK]. To keep the previous level of brightness without making any changes, tap [Cancel].

When the system is running off of battery power:



The Autocheck button changes the brightness of the backlight when AC power is connected, in the same way as the "Auto" setting in the BIOS setup. If this checkbox is checked, the backlight brightness cannot be adjusted.

- " **NOTE:** *The remaining battery capacity is not displayed if the AC adapter/re-charger is connected.*
- " **NOTE:** *For details on how to check the remaining capacity of a battery pack, refer to "Battery Packs" on page 4-1.*
- " **NOTE:** *The backlight brightness can be adjusted temporarily by holding down the "right mouse button" on the rear of the pen computer while pressing [LEFT ARROW] and [RIGHT ARROW]. However, there are some cases where the brightness can not be set in this manner, and the setting cannot be saved.*

Suspend Execution

1. Tap the Suspend Execution tab.
2. Tap the circle in front of "Suspend."
3. Tap "Execute Suspend."
4. The suspend operation is executed.



Changing the Numeric Keypad Assignments

Changing the assignments of the keypad to the right of the display can be performed by doing the following. For example, if an application requires "function" keys, the "1" key could be changed to F1, the "2" key could be changed to "F2", etc.

1. Tap the Key Change tab.
2. Tap the button for the key that is to be changed.



3. Confirm which pen computer key is to be changed.
4. Tap the circle in front of the type: function key, alphanumeric key, or other.
5. Tap the key to be assigned.
6. After confirming the key to be changed, the type, and the assigned key, tap "Execute."

To redo any of the selections, tap [STOP].

" NOTE:

The changed assignments will still be in effect the next time the system is started up.

*Checking the Version of the Pen*Key Tool*

- Tap the About tab.

" **NOTE:** *The version of the Pen*Key tool is displayed. This is not the version of the Pen*Key hardware.*

*Exiting the Pen*Key Tool*

Tap either "OK" or "Cancel" at the bottom of the Pen*Key tool screen.

CIC Handwriting Recognition

The Handwriter[®] Recognition System software is preinstalled on the Pen*Key 6622 and is used with software products enabled for handwriting recognition and verification.



The HRS is supported by Windows for Pen Computing or Windows 95 Pen Services.

Section 4

Operating the Pen Computer

This chapter explains the basic functions of the pen computer, and how to use the pen computer.

Battery Packs

The first time that you install a fresh battery pack, it is necessary to charge it.



WARNING:

Use only battery pack NPN: 871-006-020 for the PEN*KEY^R 6622 Pen Computer. Use of other battery packs or AC adapter/rechargers could result in fire or equipment damage.

NOTE:

Even when using an AC power supply, you should always install at least one battery pack in the pen computer to prevent data loss due to a power failure.

Charging Battery Packs

There are three ways to charge battery packs:

- Install a battery pack in the AC adapter/recharger.
- Install a battery pack in the pen computer.
- Install battery packs in both the pen computer and the AC adapter/recharger.

When charging more than one battery pack, the battery pack in the pen computer is charged first.

Charging Battery Packs in the AC Adapter/Recharger

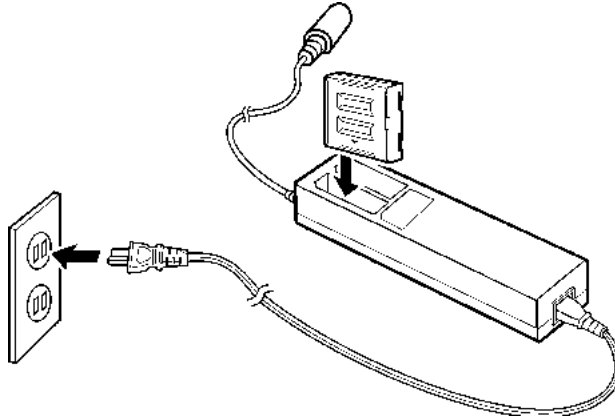


Figure 4-2
Inserting the Battery

1. Plug the AC power cord of the AC adapter/recharger into an AC power outlet. The power lamp lights green.
2. Install a battery pack in the AC adapter/recharger oriented as shown in the diagram.
3. The external battery pack charging lamp lights orange.
4. When charging is complete, the charging lamp turns off. Because the battery packs are still not fully charged after the lamps turn off, allow charging to continue for at least an additional hour.

About 3.5 hours are required to charge two fully discharged battery packs.

Charging a Battery Pack in the Pen Computer

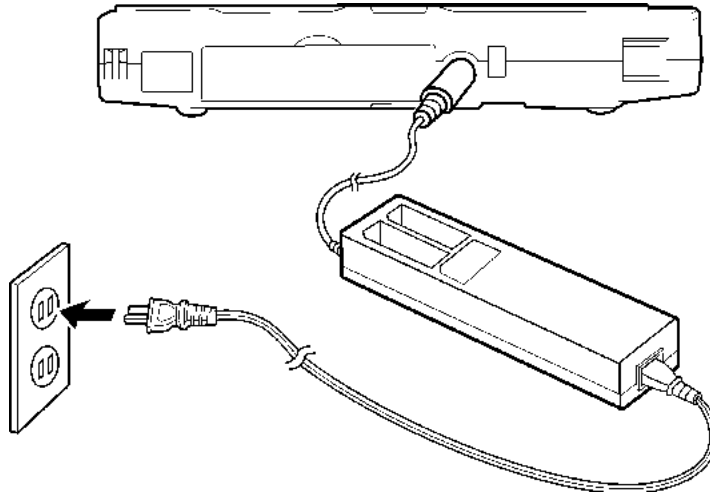


Figure 4-3
Charging Batteries in the Pen Computer

1. Plug the AC power cord of the AC adapter/recharger into an AC power outlet. The power lamp lights green.
2. Connect the AC adapter/recharger to the pen computer (with a battery pack already installed in the pen computer).
3. The internal battery pack charging lamp lights orange.
4. When charging is complete, the charging lamp turns off.

Charging Battery Packs in the Pen Computer and the AC Adapter/Recharger

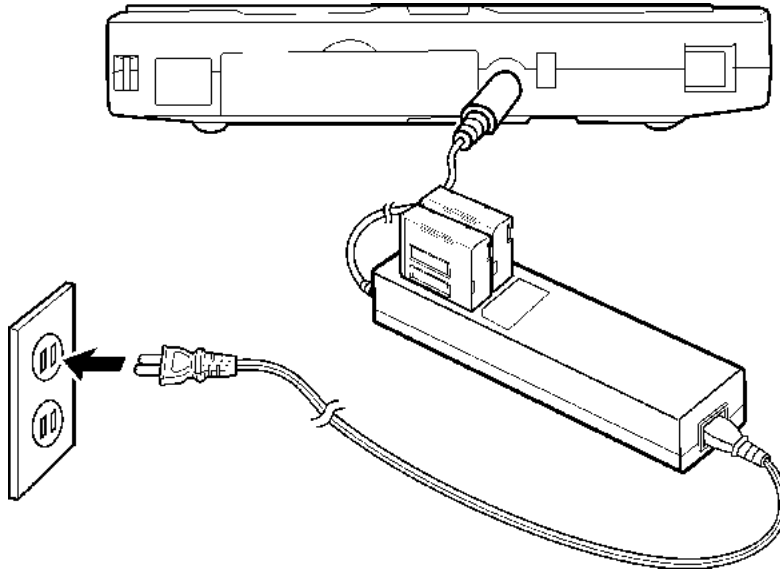


Figure 4-4
Charging Battery Packs

1. Plug the AC power cord of the AC adapter/recharger into an AC power outlet. The power lamp lights green.
2. Connect the AC adapter/recharger to the pen computer (with a battery pack already installed in the pen computer).
3. Install a battery pack in the AC adapter/recharger.
4. The internal battery pack charging lamp lights orange, and the external battery pack charging lamps start flashing slowly. Once the internal battery packs in the pen computer is charged, the internal battery pack charging lamp turns off. The external battery pack in the AC adapter/recharger is charged next.
5. The external battery pack charging lamp lights orange. When charging is complete, the external battery pack charging lamp turns off. Because the battery packs are still not fully charged after the lamps turn off, allow charging to continue for at least an additional hour.

" NOTE:

The battery packs in the pen computer are always charged first.

Installing the Battery Pack

Install and replace battery packs described in the procedure below.

1. Turn off the pen computer and disconnect the AC adapter/re-charger.
2. Place the pen computer face down on a flat surface.
3. Release the catch on the battery pack cover with your finger and open the cover.
4. Insert the battery pack(s) facing in the direction indicated by the arrow.
5. Close the battery pack cover.

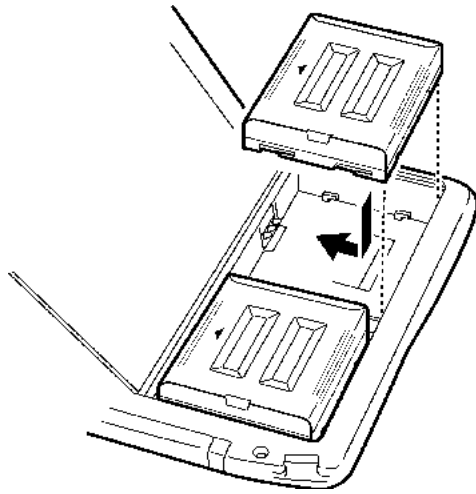


Figure 4-5
Inserting the Battery

B CAUTION: *If a battery pack is inserted incorrectly, damage to the battery pack or a fire could result.*

B CAUTION: *Always be sure to use the specified type of battery pack (NPN: 871-006-020).*

" NOTE: *To remove the battery pack, simply reverse the installation procedure.*

Remaining Battery Pack Capacity Display

Confirming the Remaining Battery Pack Capacity

- With the pen computer power off, hold down the [POWER] button; the remaining battery pack capacity is displayed. (When you release the [POWER] button, the pen computer power will turn on.)

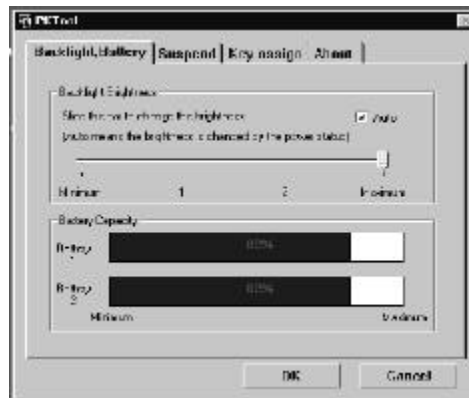


Figure 4-6
Battery Pack Capacity

In Windows 95, the remaining battery pack capacity can be checked by the following method.

- The battery icon on the taskbar shows a rough check of the remaining battery pack capacity.

The battery mark on the left indicates the remaining capacity of battery 1, and the battery mark on the right indicates the remaining capacity of battery 2.

The remaining capacity of each is indicated by the following colors:

- Light blue: 100% to 75%
- Yellow: 75% to 50%
- Red: 50% to 0%

Tapping on the battery icon starts up the Pen*Key tool, which can be used to obtain more detailed battery information. (In addition to checking the remaining battery pack capacity, the Pen*Key tool can

also adjust the backlight brightness, set suspend execution, etc. In addition, the icon changes to an AC charger icon when the pen computer is being powered by the AC adapter/recharger. For details, refer to "Pen*Key Tool" on page 3-6.)

The average remaining capacity of the two battery packs can be checked by tapping on "Control Panel" under "settings" in the Start menu and then double tapping the "Power Management" icon.

When two fully charged battery packs are installed, the value indicated will be 100%. Therefore, if only one fully charged battery pack is installed, the value indicated will be 50%.

If the AC adapter/recharger is connected, the remaining capacity of the battery packs is not displayed.

- " Double tapping on the battery setting panel icon displays the battery meter.

" **NOTE:** *The remaining capacity that is displayed is based on the battery voltage; some error in the reading might be present under certain conditions. The length of time a battery can power the system will also vary according to how the system is used and which applications are being run, so the indications of the remaining battery capacity should only be used as a rough guide.*

" **NOTE:** *If a battery pack is being recharged, the display of the remaining battery capacity will not be accurate.*

Insufficient Remaining Battery Pack Capacity

If the system decides that the battery packs will be exhausted within a few minutes, the battery lamp on the pen computer lights red. The timing by which the insufficient remaining battery pack capacity warning is issued is based on the pen computer's estimate. If a lot of power is being used because the PC card slots, the hard disk drive, or the floppy disk drive are in use, the battery packs may exhaust their remaining capacity faster than the system estimates. If you continue to use the pen computer after the insufficient remaining battery pack capacity warning is issued, the pen computer automatically executes a suspend-to-disk (regardless of the setup setting) and then shuts off the power. The contents of memory are saved in the suspend-to-disk partition on the hard disk. Afterwards, do not turn on the pen computer power until you have either connected the AC adapter/recharger or you have installed a fully charged battery pack.

Charging and Operating Times

The charging and operating times, depending on the number of battery packs installed, are shown in the following table.

Number of Battery Packs Used	Charging Time (from fully depleted to fully charged)	Operating Time (from fully charged state)
One battery pack	Approximately 2.5 hours	Approximately 1 to 2 hours
Two battery packs	Approximately 3.5 hours	Approximately 2 to 4 hours

The total charging time when there are two battery packs installed in the pen computer and two battery packs installed in the AC adapter/re-charger (for a total of four battery packs, the maximum) is seven hours.

The operating time varies according to the power management settings, the application software being used, etc.

B CAUTION: *The lithium ion batteries used in these battery packs suffer a clear deterioration in performance if they are exposed to high temperatures for an extended period of time. These batteries should be stored in a cool, dry location.*

B CAUTION: *In order to prevent the batteries from deteriorating, they should be charged at least once every six months, even if they are not being to be used.*

PC Cards

The pen computer has two PC card slots that can accept Type I/II and Type III cards that conform with PCMCIA Rev. 2.1/JEIDA Ver. 4.2. Some examples are described below.

Fax/modem Card

This device allows the pen computer to be connected to a telephone line and used as a fax or modem.

Network Interface Card

This device allows the pen computer to connect to a local area network (LAN), such as an Ethernet or an IBM 3270 network.

SCSI Interface Card

This device is used to connect SCSI devices such as CD ROM drives and scanners.

ATA Device

An AT attachment, functions similar to an IDE hard disk drive, is either a rotating or a solid state mass storage device. Even when an ATA device is removed from the pen computer's PC card slot, it does not require an external power supply in order to retain its internal data.

" NOTE:

Because these cards require a comparatively large amount of current, the AC adapter/recharger should be used to supply power to the system when they are installed in the pen computer.

SRAM Memory Card

This is a static RAM memory device that can be formatted as a floppy disk; a write protect switch is located on the edge of the card. Even when an SRAM memory card is removed from the pen computer's PC card slot, the card's built in battery protects the data in the card.

Flash Memory Card

This is a solid state storage device that works in the same manner as a floppy disk; a write protect switch is located on the edge of the card. Even when a flash memory card is removed from the pen computer's

PC card slot, it does not require an external power supply in order to retain its internal data.

Inserting a PC Card

- " Type I/II cards: These types of cards can be installed in either the top or bottom slot. Up to two cards can be installed (one in the top, one in the bottom).
- " Type III cards: These types of cards can only be installed in the bottom slot. When one of these cards is installed, the top slot cannot be used.

" **NOTE:**

The first time that you use a particular PC memory card or ATA card, it is necessary to format them.

1. Open the PC card slot cover on the right side of the pen computer.
2. Insert the card into the slot, pushing it in as far as it will go.
3. When the card is inserted, the eject button pops out.

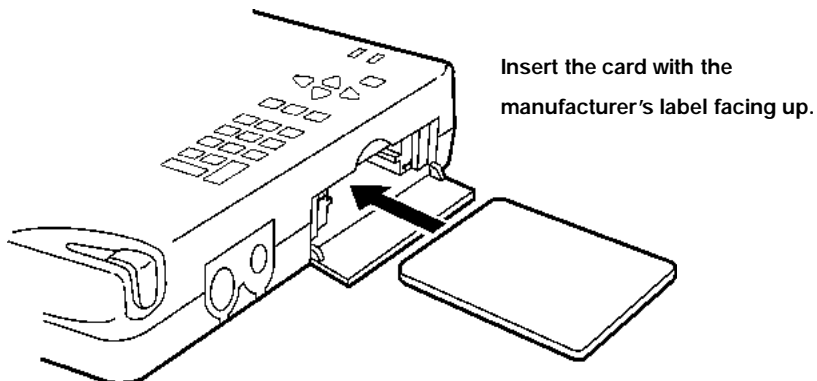


Figure 4-7
Inserting the PC Card

Removing a PC Card

- " 1) Tap "Control Panel" under "Settings" in the Start menu.
- " 2) Double tap "PC Card (PCMCIA)."
- " 3) In the list, tap the name of the PC card that you want to remove, and then tap [EXIT].
- " 4) If the message "This device can be safely removed" is displayed, tap [OK].
- " 5) Press the PC card slot eject button. When the edge of the card pops out of the slot, pull out the card and store it properly.

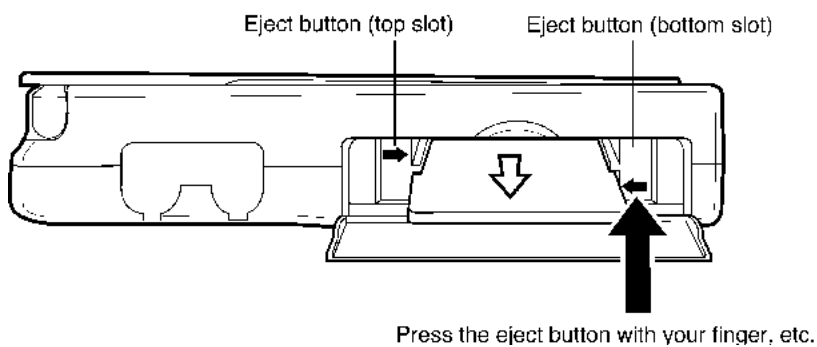


Figure 4-8
Card Eject Button

Section 5

Connecting Peripheral Equipment

.....

This chapter explains how to connect peripheral devices to the PEN*KEY^R 6622 pen computer. Practically any peripheral devices that can be connected to a serial port, a parallel port, or a PS/2 port can be connected to the pen computer, including a printer, a keyboard, and a mouse.

Notes on Handling the Equipment

The pen computer components are vulnerable to damage from static electricity. When handling or connecting any of the equipment, observe the following precautions.

- " Before adding a device to the system, always be sure to turn off the power and to disconnect the AC adapter/recharger.
- " Components in expansion devices and the pen computer can be damaged by static electricity. Before installing an expansion device, first touch a metal object in order to drain away any static electric charge built up in your body.
- " While installing a device, be careful not to touch the pins or connectors of the expansion device.
- " Do not remove any antistatic material covering an expansion device until the last possible moment before installing the device.
- " When storing an expansion device, cover it with the original antistatic material or with other conductive, protective material such as aluminum foil.
- " After removing a RAM board from its anti static bag, place it on a grounded surface.
- " Do not touch the integrated circuits on a RAM board.

Storing the battery packs

The lithium ion batteries used in the battery packs suffer a clear deterioration in performance if they are exposed to high temperatures for an extended period of time. These batteries should be stored in a cool, dry location.

In order to prevent the batteries from deteriorating, they should be charged at least once every six months, even if they are not going to be used.

Connecting Peripheral Equipment

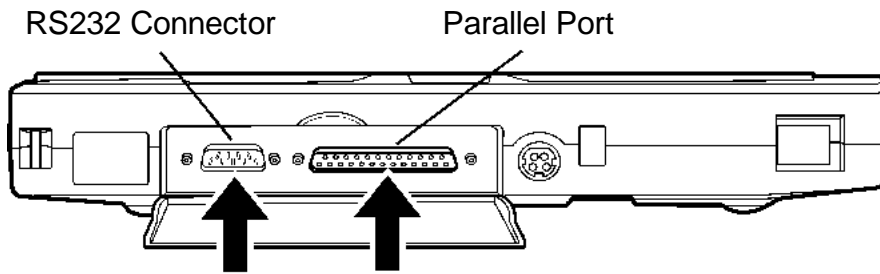


Figure 5-1
Printer/Floppy Drive Connectors

B CAUTION:

When connecting devices and cables, always be sure to turn off the power for the pen computer first.

1. Turn off the power for both the pen computer and the peripheral device.
2. Open the connector cover on the rear of the pen terminal, and confirm which connector you want to use.
3. Connect the cable for the peripheral device to the pen terminal.
4. Tighten the two screws on the cable connector.
5. Turn on the power for both the pen computer and the peripheral device.

Serial Devices

Serial mouse, serial printer, bar code reader, etc.

Read the manual provided with the serial device and make the necessary operating environment settings so that the device will be recognized.

Serial Port Setting

The settings for the pen computer's serial port depend on the settings made by the Setup utility. When connecting a serial mouse to the serial port, set "COM Port" to "COM1" in the "Advanced" menu of the Setup utility.

Connectors

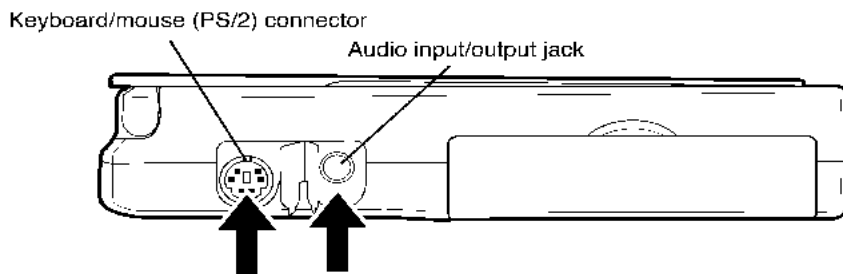


Figure 5-1
Side View Connections

- " Keyboard, mouse, speaker, microphone, headset, etc.
- " Keyboard/mouse (PS/2) connector
- " Audio input/output jack

1. Turn off the power for both the pen computer and the peripheral device.
2. Open the connector and jack cover on the right side of the pen terminal, and confirm the connector or jack that you want to use.
3. Connect the cable for the peripheral device to the pen computer connector or jack.
4. Turn on the power for both the pen computer and the peripheral device.

Keyboard/Mouse

" **NOTE:** Do not connect a PS/2 device or disconnect a PS/2 device to the pen computer while the power is on. Doing so will cause erratic operation.

Connecting Speakers/Microphone/Headset

" **NOTE:** If external stereo speakers are connected to the pen computer, the audio will be output on the right speaker only.

Section 6

Troubleshooting

Sometimes, a careful check will reveal that what you thought was a malfunction actually was not. Before requesting repairs, carefully consult this section and try to resolve the problem.

The power lamp does not light even though the power is turned on.

- " Confirm that the power cord is connected properly.
- " Connect another electric device to the power outlet in order to confirm that power is flowing from the outlet.

The display is blank.

- " Push the Power button to confirm that the power management function is not currently engaged.
- " Check the power lamp and confirm that power is being supplied to the pen terminal.
- " Check that there is power remaining in the battery pack(s) and confirm proper battery installation in the pen computer.
- " Check the brightness of the display.
- " If you try all of the above measures and the display is still blank, turn off the pen computer, wait 10 seconds, and then turn the power back on.

The system will not start up.

- " Confirm that the floppy disk in the floppy disk drive, if any, contains the operating system.
- " Confirm that the system files have not been deleted from the hard disk.

The correct date and time are not displayed.

- " Connect the AC adapter/recharger for at least eight hours in order to charge the backup battery.
- " Use the Setup utility to set the correct date and time.
- " Use the Date and Time command of the operating system to correct the date and time.
- " If the correct date and time are still not displayed, contact your dealer and have the backup battery on the system board replaced.

Data cannot be written to or read from a floppy disk.

- " Confirm that the floppy disk drive is connected properly.
- " Confirm that the drive specification is correct.
- " Confirm that the file name specification is correct.
- " If a file cannot be read, confirm that the floppy disk has not been formatted. The floppy disk may be damaged.
- " If it is not possible to write to the floppy disk, it is possible that the floppy disk is in the write protected state. Eject the floppy disk, and make sure that the write protect switch on the floppy disk is in the "write enabled" position.
- " If it is not possible to write to the floppy disk, it is possible that the floppy disk is full. Try using a different floppy disk.
- " Confirm that, under the Main menu of the Setup utility, "Diskette A" is set to "1.44 3 1/2" and that under Integrated Peripherals in the Advanced menu, "Parallel Port" is set to "FDD."
- " Confirm that, under the Security menu of the Setup utility, "Diskette access" is not set to "Supervisor."
- " If using a double density 1.2MB disk, confirm that the three mode FDD driver is installed in the system.
- " Check whether the floppy disk in the floppy disk drive is a boot disk or not. The system cannot start up from a floppy disk that has an error or that does not have the operating system installed on it. Change floppy disks.
- " Check the operation of the floppy disk drive. If the floppy disk still cannot be used even after trying the solutions described above, contact your dealer.

Data cannot be written to or read from the hard disk.

- " Confirm that the hard disk has been formatted properly and that the areas have been setup properly with the FDISK command. If these cannot be performed properly, make sure that, under the Security menu of the Setup utility, "Fixed disk boot sector" is not set to "Write Protect."
- " Confirm that the drive specification is correct.
- " Confirm that the file name specification is correct.
- " Confirm that the hard disk has enough free space.
- " The message "Not a system disk" or a disk error message appears.
- " Check whether the drive type is correct or not in the Setup utility.
- " If the message is displayed when starting up from a hard disk drive, insert a boot floppy disk, start up the system, and then check the status of the hard disk drive.

An expansion device or peripheral device does not function.

- " Confirm that the device is installed properly. Refer to Section 5, "Connecting Peripheral Equipment."
- " Confirm that the device driver required by the expansion device has been installed in the system.

Output cannot be directed to the printer.

- " Confirm that the printer power is on.
- " Confirm that the printer is connected properly to the pen terminal.
- " Confirm that the printer is in the on line state.
- " Confirm that paper has been loaded in the printer properly.
- " Confirm that under Integrated Peripherals in the Advanced menu of the Setup utility, "Parallel Port" is set to "Bi directional."

The device connected to the RS 232C connector does not work.

- " Confirm that the correct connecting cable is being used.
- " Confirm that the application software supports the RS 232C interface functions.
- " Confirm that in the Advanced menu of the Setup utility, "COM Port" is not set to "Disabled."

Infrared communications do not work.

- " Confirm that in the Advanced menu of the Setup utility, "IR Port" is not set to "Disabled."
- " Confirm that the mode that is set agrees with the other device. The mode is set through "IR Type" in the Advanced menu of the Setup utility.
- " When communicating with another computer: IrDA1.0 or IrDA1.1, confirm that the infrared communications ports on the pen computer and the other device are directly facing each other, that they are separated by only 5 to 30cm (2 to 12"), and that there are no obstructions between the two ports.
- " If communicating with a PDA (personal digital assistant) device, confirm that there are batteries in the PDA and that it is set to "personal computer linking" mode.

PC Cards Do Not Function (in MS DOS Mode)

- " Confirm that there are no conflicts involving COM3, which is used by cards, and COM1, which is used by other devices. This is because COM1 is already used by other pen computer devices. Use the Setup utility to change the COM port settings. When a PC card uses COM3, set the "COM Port" item to "Disabled." Note that COM4 cannot be used by cards since it is used by the touch panel.

