



Intermec



Installation
Instructions

**EasyCoder C4
Cutter**

Information in this manual is subject to change without prior notice and does not represent a commitment on the part of Intermec Printer AB.

© Copyright Intermec Printer AB, 2002. All rights reserved. Published in Sweden.

EasyCoderis a registered trademark of Intermec Technologies Corp. The word Intermec and the Intermec are trademarks of Intermec Technologies Corp.

Description of the EasyCoder C4 Cutter Kit

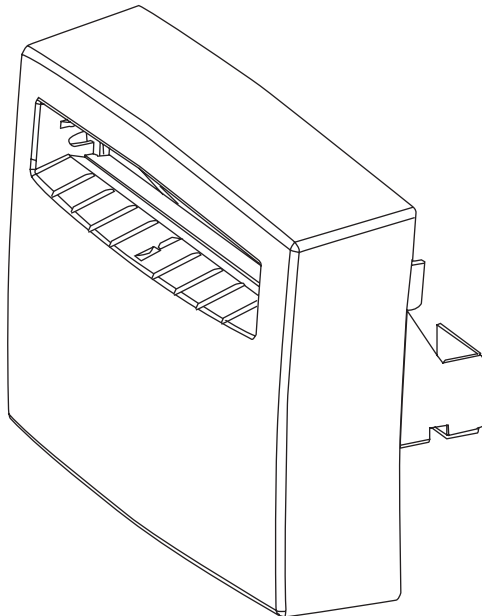
The EasyCoder C4 printers can optionally be fitted with a cutter instead of the standard peel-off (self-strip) mechanism. The cutter comes as a kit for field installation by an authorized service technician or installed from factory. In the latter case, bypass the chapter “Installation.”

The label taken sensor is removed with the peel-off mechanism.

The cutter is intended to cut through paper media or through the liner between labels. It should not be used to cut through any kind of adhesive or through soft media like vinyl, pvc, and other plastics.

The EasyCoder C4 Cutter Kit includes:

- one complete cutter with cable
- two Phillips screws
- one blind connector
- this Installation Instructions booklet



Technical Data

Rating

500,000 cuts at 0.007-inch (170 g/m²) paper thickness.
1,000,000 cuts at 0.003-inch (120 g/m²) paper thickness.

Cutting Method

Guillotine-type blade.

Mounting

Attaches to EasyCoder C4.

Adds 1.3 inches (33 mm) to the printer's length and 1.3 lb (0.6 kg) to the printer's weight.

Firmware version ESim v3.33 or later required.

Media Type

Paper, direct thermal paper, paper label liners.

Media rolls must be wound with the printable side facing outwards.

Minimum Media Thickness

0.002 inches (60 µm).

Maximum Media Thickness

0.007 inches (170 µm).

Maximum Density

Approx. corresponding to 110 lb book paper (170 grams/m²).

Minimum Media Width

1 inch (25.4 mm).

Maximum Media Width

4.57 inches (116 mm)

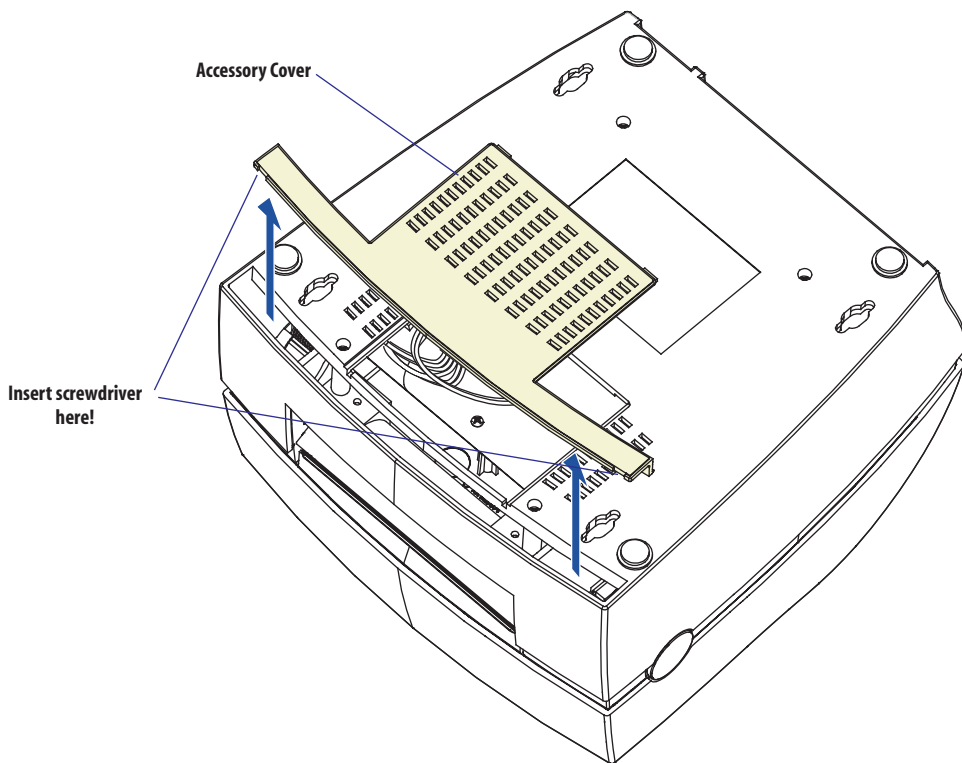
Minimum Cut Length

1 inch (25.4 mm)

Step-by-Step Instructions

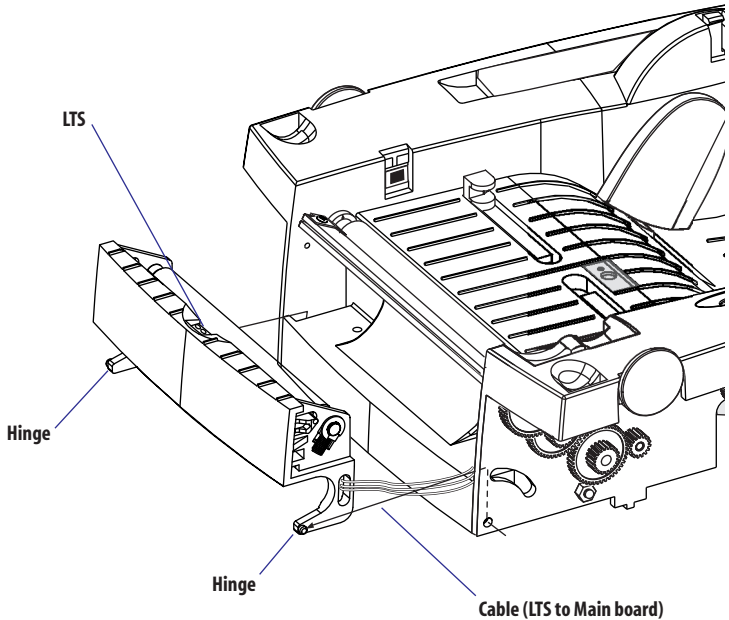
Before you can install the EasyCoder C4 Cutter, you must disconnect the printer and remove the peel-off mechanism.

- Turn the printer upside down and pry away the accessory cover from the bottom cover using a small straight-slot screwdriver (snap-locked).



Step-by-Step Instructions, cont.

- Disconnect the LTS cable from JP4 on the main board.
- Cut the strap that holds the LTS cables to the cable of the stepper motor.
- Using a straight-slot screwdriver, carefully manipulate the plastic hinges of the peel-off mechanism out of the pockets in the base frame.
- Carefully manipulate the LTS cable out through the slot in the print frame at the right-hand hinge. The cable can easily get stuck or be damaged!
- Keep the peel-off mechanism for possible later use.

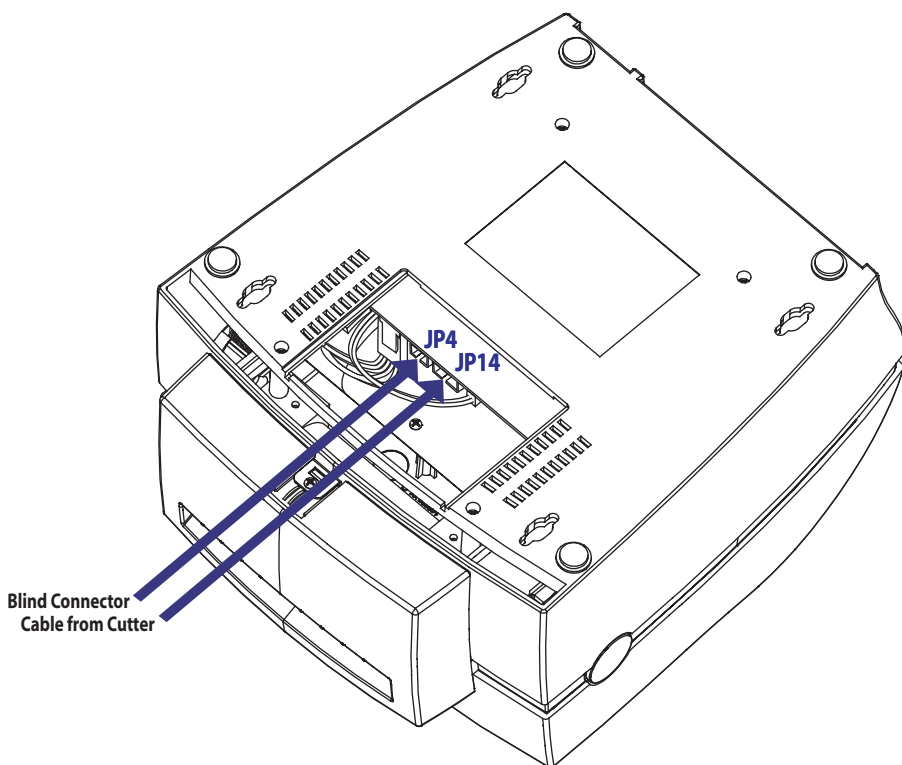


Bottom cover deleted for improved view.

Step-by-Step Instructions, cont.

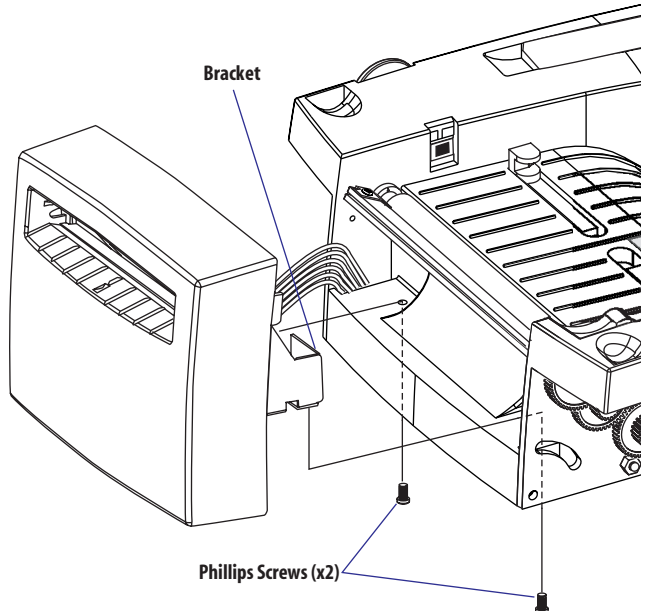
Once the peel-off mechanism has been removed, you can install the cutter.

- Route the cable from the cutter through the left-hand slot in the base frame (vacated when the left-hand hinge of the peel-off mechanism was removed).
- Connect the cable from the cutter to JP14 on the main board. JP14 is found in the center of the forward edge of the main board. The cable does only fit in this connector.
- Fit the blind connector included in the kit on JP4, where the LTS cable previously was connected.



Step-by-Step Instructions, cont.

- Using the two Phillips screws that come with the cutter kit, attach the cutter to the base frame, as illustrated below. The screws should run upwards through the holes in the base frame and connect with the threaded bushings on the cutter bracket.



Bottom cover deleted for improved view.

- Put back the accessory cover so it is held by the snap-locks.
- Connect the printer and start up. (The commands for controlling the printer are described in the *ESim v3.32 Programmer's Reference Manual*.)

Clearing Media Jams

Hint!

Media jams in the cutter may be caused by using media rolls wound with the printable side facing inwards. Only use media rolls wound with the printable side facing outwards!

A media jam in the cutter is indicated by long red flashes from the indicator lamp on the printer's front panel.

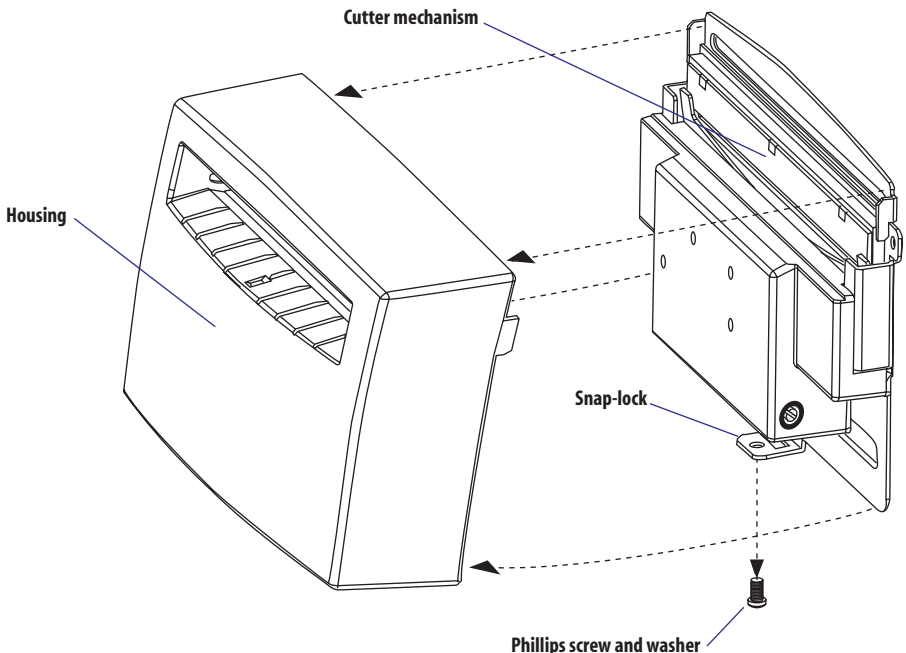
To clear the cutter from media, follow this procedure:

- Switch off the printer.
- If you can remove the media through the cutter's outfeed slot, remove the media using tweezers.

Warning!

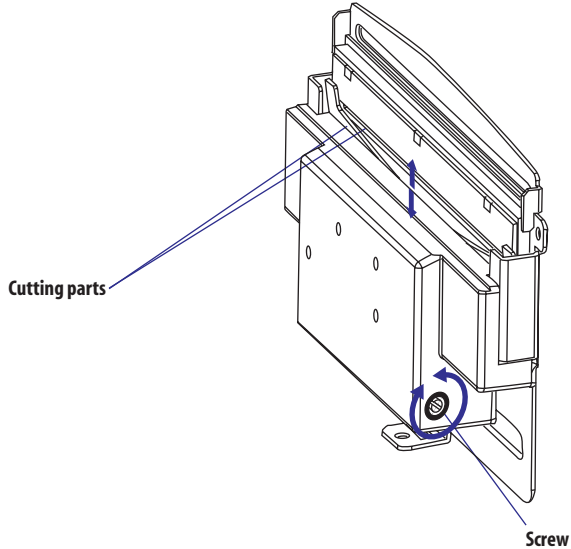
Never place your fingers or foreign objects inside the cutter. Failure to comply could result in personal injury.

- If you cannot remove the media via the cutter's outfeed slot, remove the cutter housing.
- Remove the single Phillips screw and washer at the bottom of the housing.
- Disengage the snap-lock and tilt the housing slightly upward before pulling it away.



Clearing Media Jams, cont.

- The guillotin-like cutter can be raised and lowered manually by turning the straight-slot screw on the side of the cutter motor casing.



- Put back the housing.
- Switch on the power and check the indicator lamp.

Caution!
Do not clean the blade with solutions or solvents. If you clean the blade, you may adversely affect blade lubrication and sharpness.



Intermec Printer AB

Idrottsvägen 10, P.O. Box 123
S-431 22 Mölndal, Sweden

tel +46 31 869500

fax +46 31 869595

www.intermec.com

EasyCoder C4 Cutter Installation Instructions



1-960574-00