

Installation Instructions

*P/N 1-960473-01
Edition 2
January 2001*

EasyCoder F-Series IEEE 1284 Parallel Interface Board

 **ntermec**
Technologies Corporation

A **UNOVA** Company

Description

Application of Use

The IEEE 1284 Parallel Interface Board is an optional device for EasyCoder F2 and EasyCoder F4 which provides these printers with an parallel interface port.

The parallel communication port is addressed in Intermec Fingerprint v7.2 or later as device "centronics:". The board is IEEE1284-I compatible. Nibble, byte, ECP, and EPP modes from printer to host are not presently supported.

IEEE 1284 Interface

The IEEE 1284 board has a standard 36-pin female IEEE 1284B connector with the following configuration:

Pin	Signal	Pin	Signal
1	DSTROBE	19	GND
2	DATA 0	20	GND
3	DATA 1	21	GND
4	DATA 2	22	GND
5	DATA 3	23	GND
6	DATA 4	24	GND
7	DATA 5	25	GND
8	DATA 6	26	GND
9	DATA 7	27	GND
10	ACK	28	GND
11	BUSY	29	GND
12	PE	30	GND
13	SELECT	31	INIT
14	AF	32	ERROR
15	N/C	33	N/C
16	GND	34	N/C
17	SCREEN	35	N/C
18	+ 5V EXT (max 200 mA) ¹	36	SELECTIN

¹/. The external 5V is automatically switched off at overload.

There are neither any straps or other types of physical configuration on this interface board, nor any options in the Setup Mode

Installation Kit

The IEEE 1284 Parallel Interface Kit contains:

- One interface board.
- One flat cable
- This Installation Instruction booklet

*EasyCoder F-Series
IEEE 1284 Parallel Interface
Board
Installation Instructions
Edition 2, January 2001
Part No. 1-960473-01*

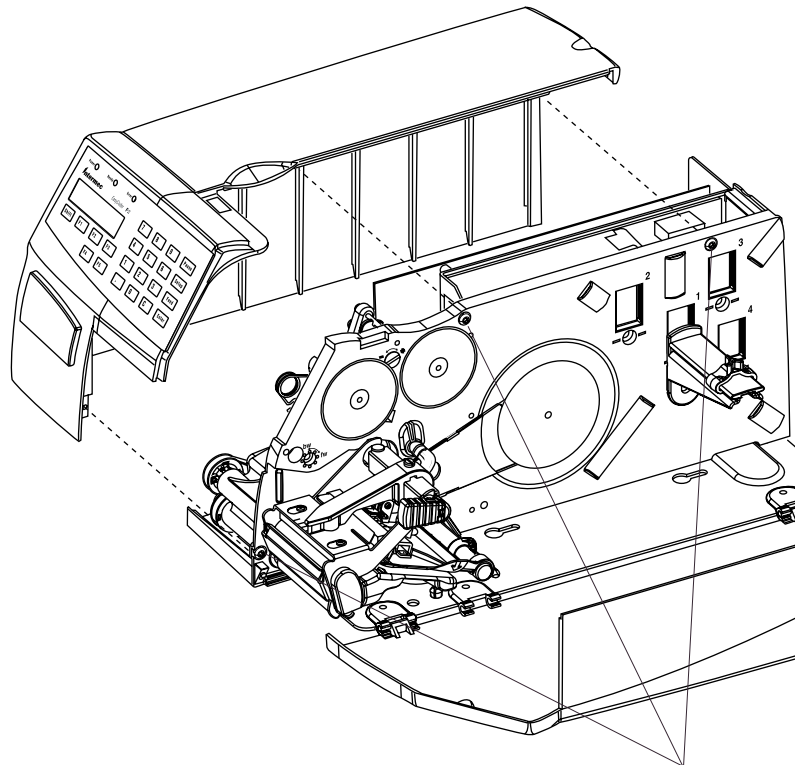
Installation

EasyCoder F2 and F4

- Open the electronics compartment by removing the front/ left-hand cover, which is held by three #T20 Torx screws from the media compartment side of the center section.

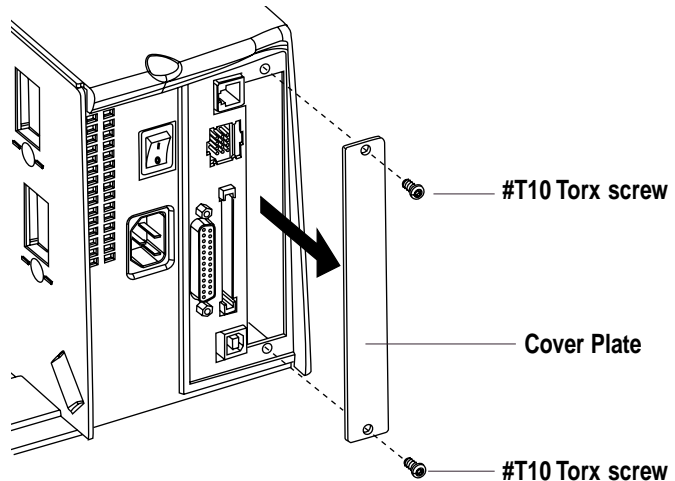
Warning!

Switch off the power and disconnect the power cord. The electronics compartment contains high voltage components and wires. Do not open the electronics compartment before the printer is safely disconnected from any AC supply.



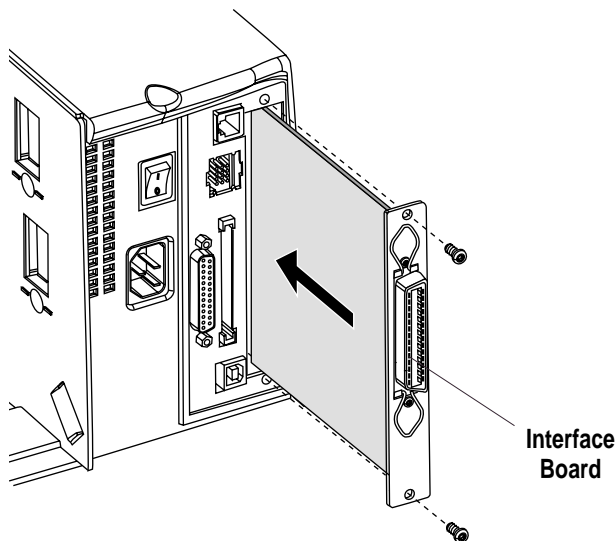
#T20 Torx screws (x3)

- Remove the two #T10 Torx screws that hold the interface cover plate on the printer's rear plate. Remove the cover plate.

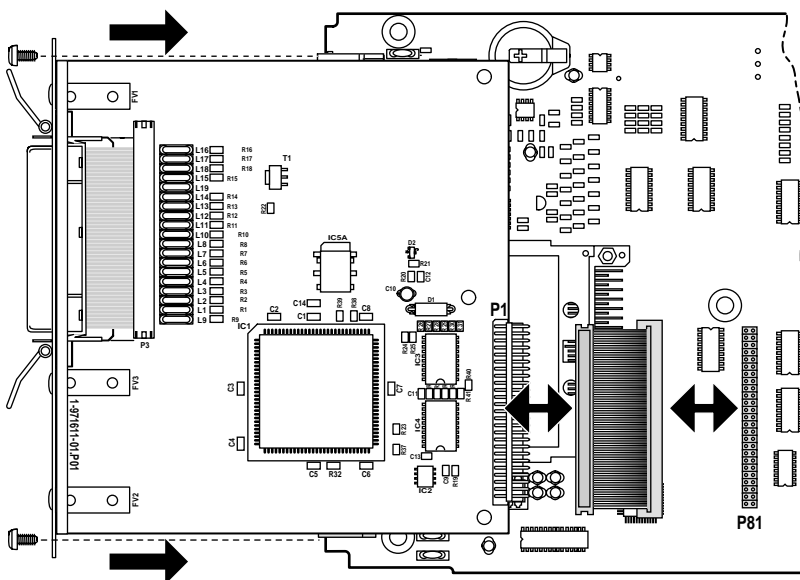


EasyCoder F2 and F4, cont.

- Save the cover plate for possible later use. Keep the screws.
- Insert the interface board with the components side facing right, as seen from behind.
- Attach the interface board to the printer's rear plate by means of the two screws left over when you removed the original cover plate.

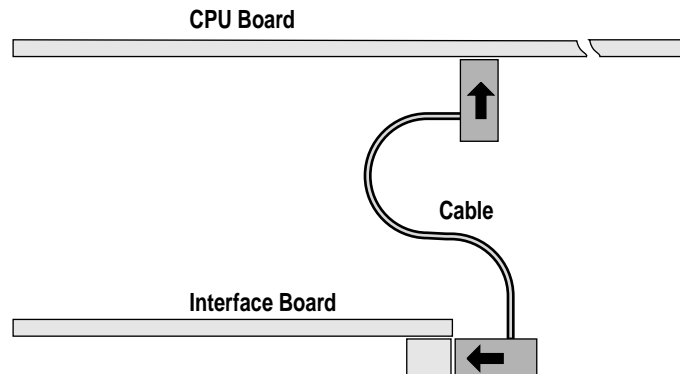


- Connect the flat cable included in the kit between connector **P81** on the CPU board and connector **P1** on the interface board (also see the next page.)

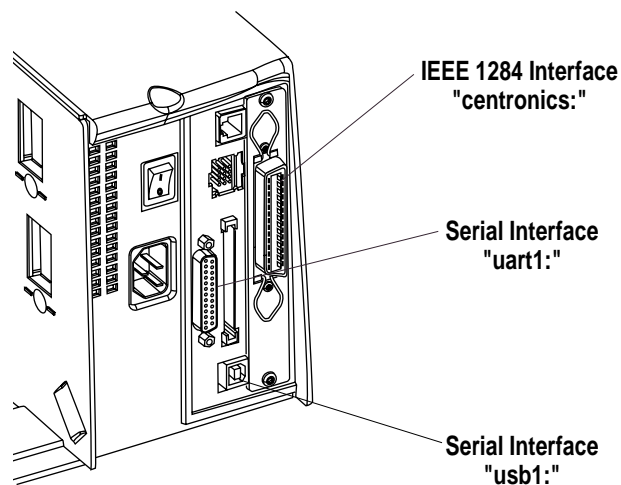


EasyCoder F2 and F4, cont.

- Make sure that the cable between CPU board and interface board runs as illustrated below.



- Put back the front/left-hand cover.
- Connect the power cord.
- Now you have one new interface connector ("centronics:") on the printer's rear plate in addition to the standard interfaces "uart1:" and "usb1:". Connect the parallel interface cable and switch on the power.



Information in this manual is subject to change without prior notice and does not represent a commitment on the part of Intermec Printer AB.

© Copyright Intermec Printer AB, 2001. All rights reserved. Published in Sweden.

EasyCoder, EasyLAN, Fingerprint, and LabelShop are registered trademarks of Intermec Technologies Corp. The word Intermec, the Intermec logo, InterDriver, and PrintSet are trademarks of Intermec Technologies Corp.

Centronics is a registered trademark of Genicom Corp.

Torx is a registered trademark of Camcar Division of Textron Inc.