

# Installation Instructions

*P/N 1-960457-00  
Edition 1  
April 1999*

# EasyCoder 301 Paper Cutter Kit

  
*Technologies Corporation*

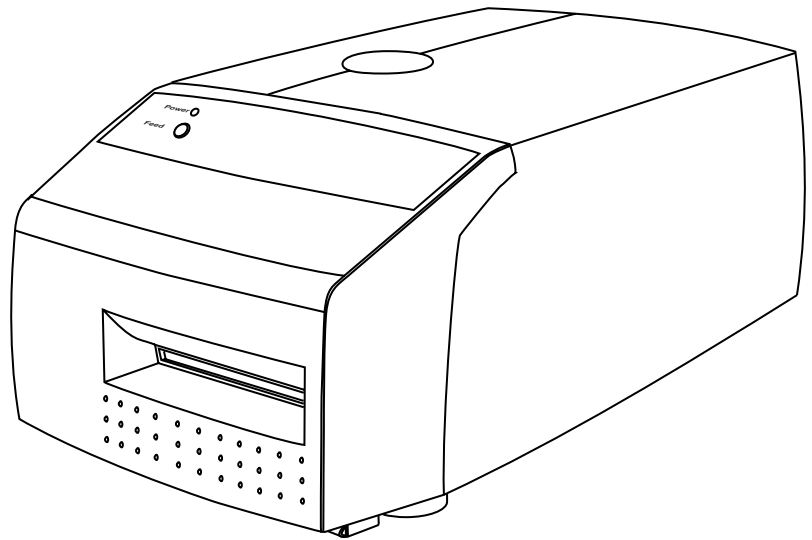
---

A **UNOVA** Company

## Description

The EasyCoder 301 can easily be fitted with an optional Paper Cutter. The cutter unit is fitted on the same hinges as the front door, which it replaces, and is connected by a single cable to the upper-most connector on the printer's front.

The paper cutter is available as a field-installable upgrading kit only.



The paper cutter is intended to cut through continuous non-adhesive paper strip or through the backing paper between labels. It must not be used to cut through any kind of adhesive or other soft material, that may stick to the cutting parts and render the cutter inoperable, which may damage the electric motor.

Allowed paper thickness is  $60\mu\text{m} - 175\mu\text{m}$  ( $\approx 60 - 175$  grammes/ $\text{m}^2$ ) for normal paper-based materials.

Minimum practical copy length is 38.1 mm (1.5").

The Paper Cutter increases the printer's total weight to approx. 5.6 kgs (= 15 lbs) and its length to 396 mm (15,6").

The Paper Cutter can be tilted forward in order to facilitate cleaning and paper load. A microswitch prevents unintentional cutting operations when the cutter is tilted forward.

The printer's built-in label-taken sensor does not work in connection with a cutter.

*Note!*

*The cutter will return to home position when the power is turned on and when the printer is rebooted. During firmware update, the cutter will perform repeated cutting operations. It is therefore recommended to disconnect the cutter's cable from the printer's front before the printer's firmware is updated.*

*EasyCoder 301 Paper Cutter  
Installation Instructions  
Edition 1, April 1999  
Part No. 1-960457-00*

## Controlling the Cutter

The cutter is activated by CUT or CUT ON instructions in the EasyCoder 301 Direct Protocol.

The following values are recommended for cutting between labels and for variable length strip. In both cases, the start adjustment is calculated to allow the paper web be pulled back after cutting, so printing can start directly at the forward edge.

### **Labels:**

Start adjust .....: -250

Stop adjust .....: +100

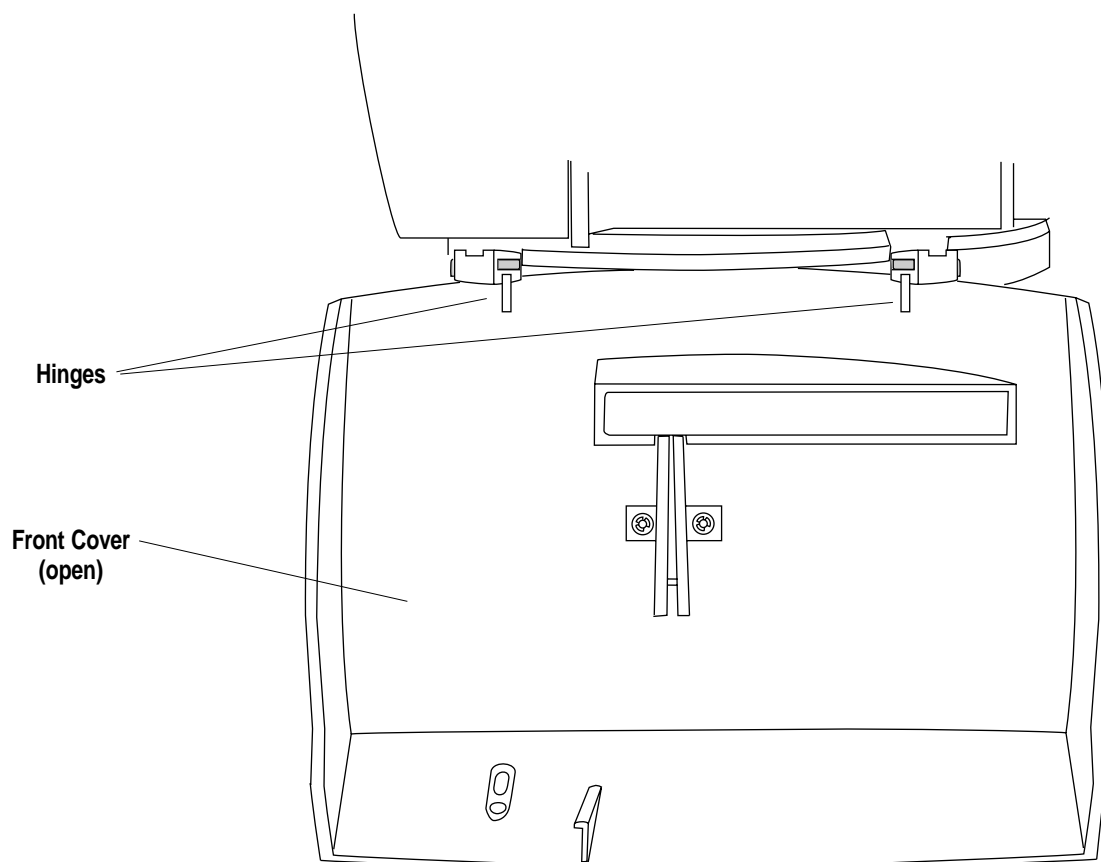
### **Strip:**

Start adjust .....: -250

Stop adjust .....: +180

## Installation

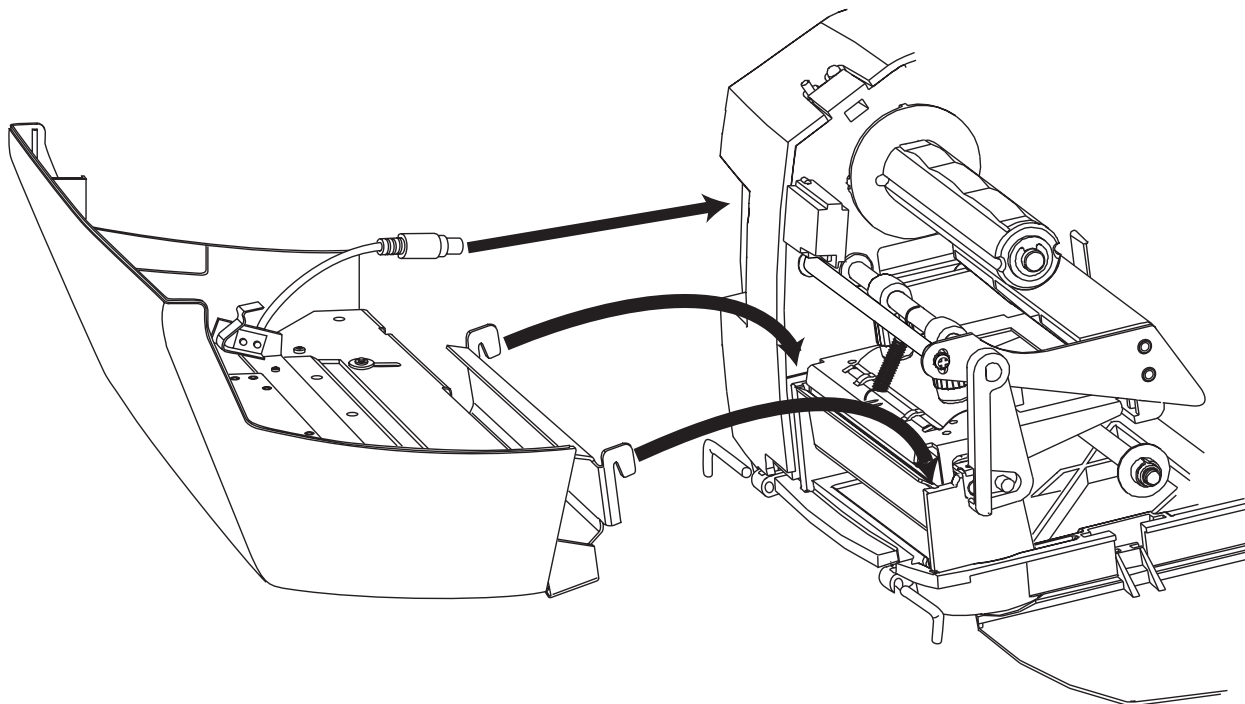
- Turn off the main switch and remove the power cord and interface cable.
- Open the printer's front cover
- Turn the printer upside down and use a piercer to pry out the two L-shaped hinge pins that hold the front cover.



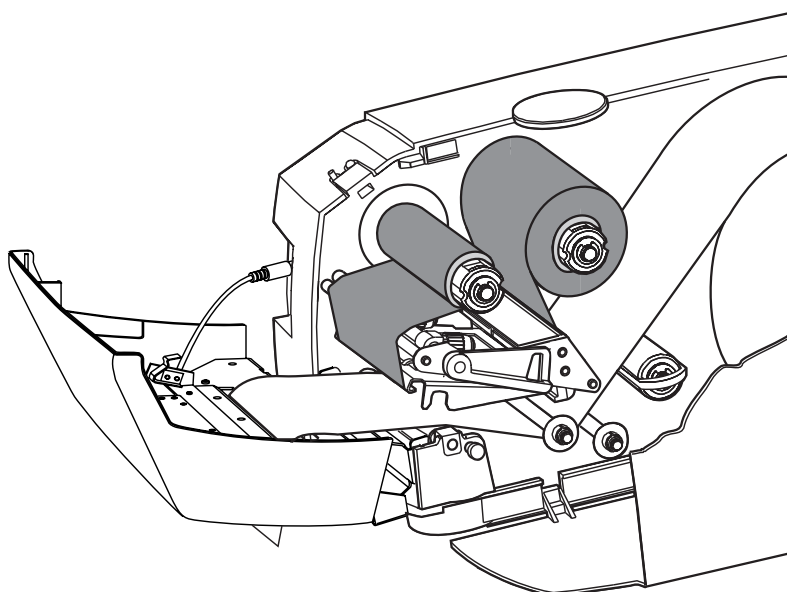
- Remove the front cover completely.

## Installation, cont'd.

- Fit the two hooks at the rear of the cutter unit on either side of the tear off edge and press down firmly.
- The holes in the tabs at the bottom of the cutter unit should be aligned with the hinges on the bottom moulding.



- Insert the hinge pins as shown above.
- Connect the cable from the cutter to the upper (circular) one of the two connectors on the printer's front.
- Thread the paper through the slot in the cutter.
- Close the cutter, connect the interface cable and power cord and, finally, turn on the power.



## Cleaning

Cleaning on a regular basis is required for trouble-free operation. Should the cutter inadvertently have been used to cut through any adhesive, you should clean the cutter immediately.

Tilt down the cutter and use a cotton swab moistened with isopropyl alcohol, or a similar solvent, to wipe clean cutting parts.

*Information in this manual is subject to change without prior notice and does not represent a commitment on the part of Intermec Printer AB.*

*© Copyright Intermec Printer AB 1999. All rights reserved. Published in Sweden.*

*EasyCoder is a trademark of Intermec Technologies Corp.*