

Installation Instructions

*P/N 1-960451-01
Edition 2
September 1998*

EasyCoder 601 XP Paper Cutter

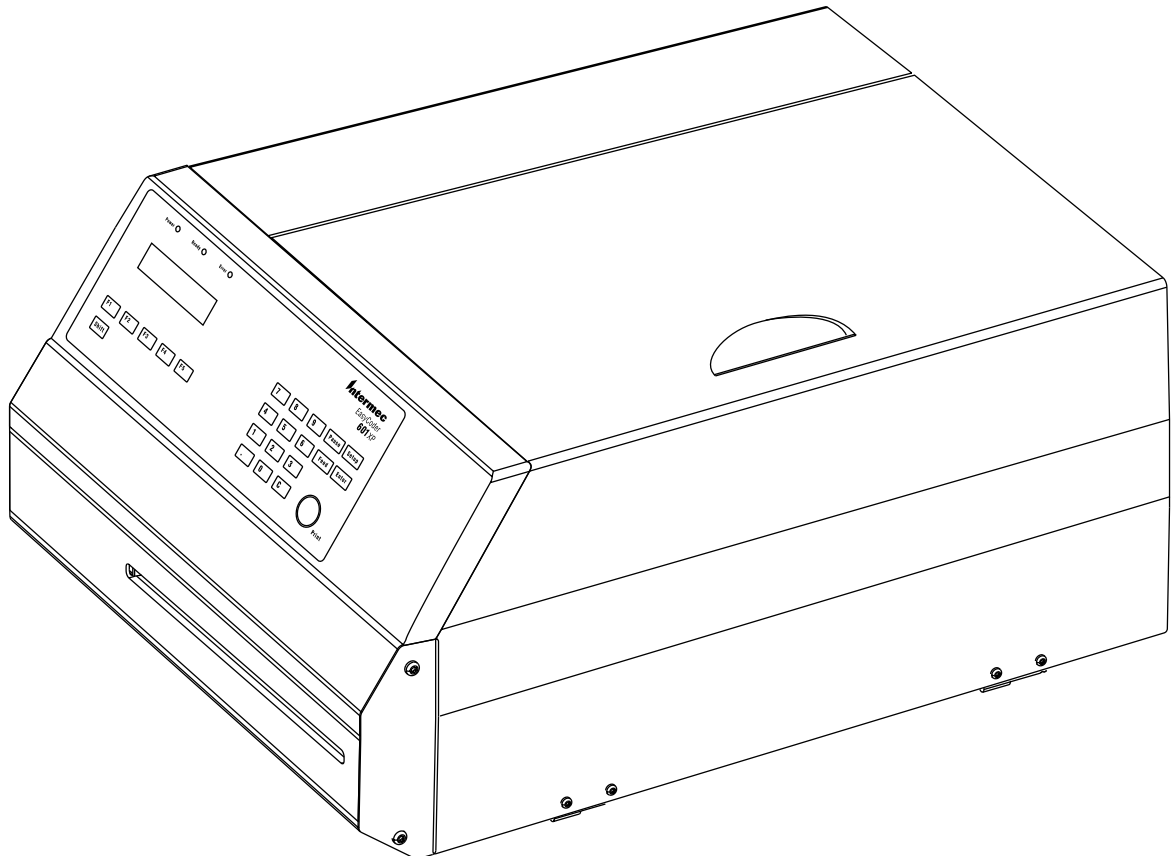
 **ntermec**

A **UNOVA** Company

Description

The EasyCoder 601 XP can easily be fitted with an optional Paper Cutter unless the printer is not already fitted with an label-taken sensor (see chapter 10). The cutter unit is fitted on the same hinges as the front door, which it replaces, and is connected by a single cable to the DIN-connector on the printer's front.

The paper cutter is available both as a factory-installed option and as a field-installable upgrading kit.



The paper cutter is intended to cut through continuous non-adhesive paper strip or through the backing paper between labels. It must not be used to cut through any kind of adhesive or other soft material, that may stick to the cutting parts and render the cutter inoperable – thus also causing possible damage to the electric motor.

Maximum paper thickness is 175 μm (\approx 175 grammes/m²) for normal paper-based materials.

Minimum practical copy length is 38.1 mm (1.5")

The Paper Cutter increases the printer's total weight by approx. 1.65 kgs (= 3.6 lbs) and its length by 28 mm (1.1").

The Paper Cutter can be tilted forward in order to facilitate cleaning and paper load.

*EasyCoder 601 XP
Paper Cutter
Installation Instructions
Edition 2, September 1998
Part No. 1-960451-01*

CAUTION!

The cutting edge will rotate to home position when the power is turned on and when the printer is rebooted. Always keep the cutter unit in closed position during operation.

Controlling the Cutter

The cutter is activated by CUT or CUT ON statements in the Intermec Fingerprint program, see the Intermec Fingerprint 7.12 (or later) Reference manual.

The rotating edge will cut through the paper approx. 37 mm (1.5") in front of the printer's dot line. The paper feed should be adjusted accordingly.

The following values are recommended for cutting between labels and for variable length strip. In both cases, the start adjustment is calculated to allow the paper web be pulled back after cutting, so printing can start directly at the forward edge.

Start adjust : - 441
Stop adjust : + 270

Cleaning

Should the cutter inadvertently have been used to cut through any adhesive, you will have to clean the "knife", which is a rotating shaft with an edge. Tilt down the cutter and use a piece of tissue moistened with isopropyl alcohol, or a similar solvent, to wipe clean the shaft.

CAUTION!

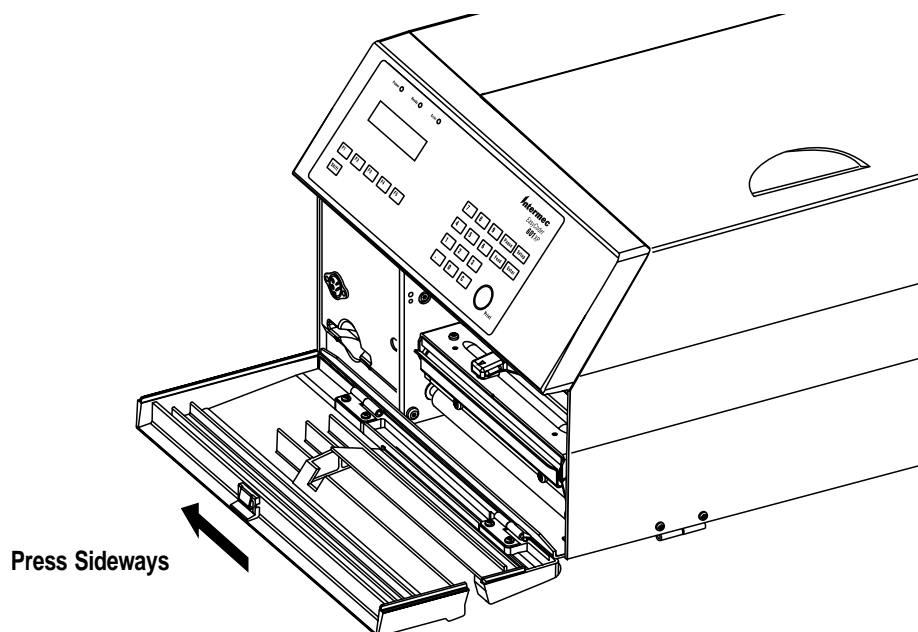
Turn off the power or disconnect the cutter before cleaning.

Keep fingers away from cutting parts!

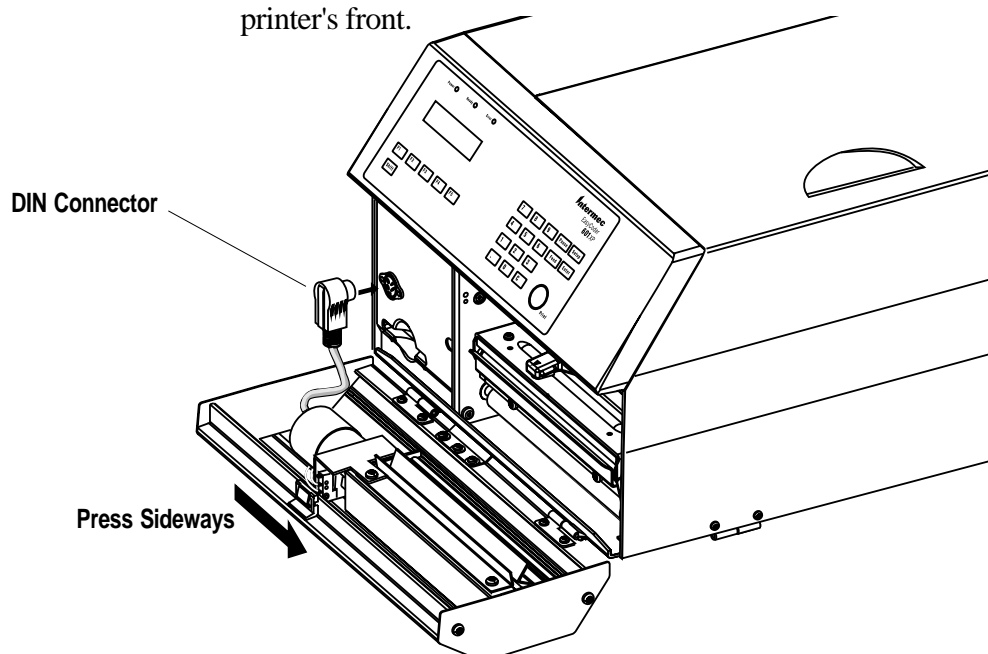
Do not force the spring-loaded anvil blade open more than 5–10 mm (.2–.4"), or the spring may be damaged.

Installation

- Turn off the main switch and remove the power cord.
- Open the printer's front hatch.
- Hold the printer firmly and press the front hatch sideways to the left as to disengage the hinges.
- Remove the hatch completely.

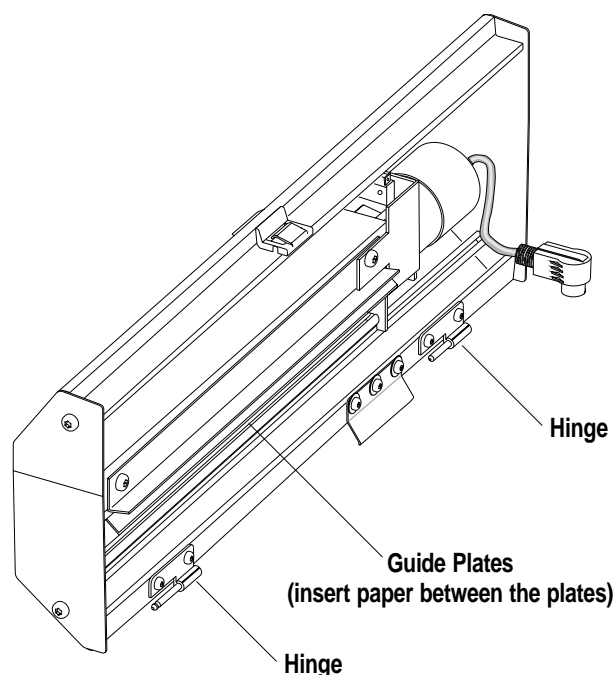


- If the printer is fitted with a label-taken sensor (LTS), it has to be removed before the cutter can be fitted, see chapter 10.
- Fit the cutter unit to the vacant hinges. Make sure that the locking plate snaps into the groove of the right-hand hinge and that the angled plate at the bottom of the cutter is inserted under the printer's bottom plate.
- Fit the cable from the cutter unit into the DIN connector on the printer's front.



Installation, cont'd.

- Tilt the cutter unit upwards until it locks into place. If the cutter does not lock properly, the hinges of the cutter unit may need to be adjusted using a #T10 Torx screwdriver.



- Put back the power cord and switch on power. The cutter will perform an idle cycle in order to occupy its home position.
- Turn off the power. Tilt down the cutter and thread the paper through the cutter unit between the guide plates (also see the EasyCoder 601 XP installation & Operation manual). Then tilt up the cutter again and lock it in closed position. Check that the printhead is lowered and turn on the power. Now the printer is ready for operation.

Information in this manual is subject to change without prior notice and does not represent a commitment on the part of Intermec Printer AB.

© Copyright Intermec PTC AB 1998. All rights reserved. Published in Sweden.

*EasyCoder is a trademark of Intermec Technologies Corp.
Torx is a registered trademark of Camcar Division of Textron Inc.*