

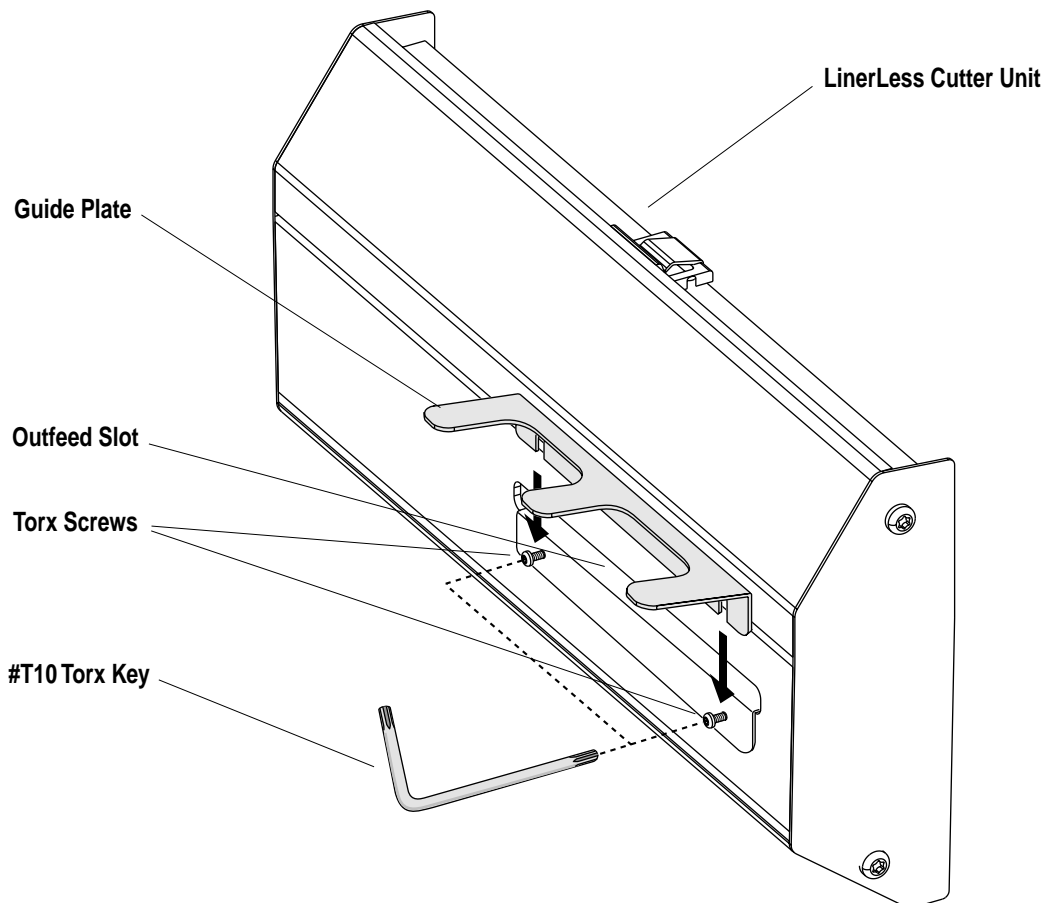
Cutter Guide Installation

The guide plate is intended to be fitted at the front of the cutter of an EasyCoder 501 LinerLess. It prevents labels to fall off after cutting and for example stick to the front of the cutter or to the table where the printer stands. It is not necessary to fit the guide plate, but we recommend to fit it unless some other means of taking care of the label are provided, for example an applicator.

The guide plate has a special coating that prevents labels from sticking to it.

The guide plate is not fitted at delivery to prevent damage during transportation, but is easy to fit using a #T10 Torx key:

- Loosen the two #T10 Torx screws, that hold the plate beneath the cutter's outfeed slot, a few turns.
- Slip the guide plate onto the screws from above.
- Make sure to press the guide plate down as far as the U-shaped indents at the bottom edge allow.



1-960410-02
 EasyCoder 501 LinerLess
 Cutter Guide
 Installation Instructions
 Edition 1, October 2001

EasyCoder is a registered trademark of Intermec Technologies Corp.
 Torx is a registered trademark of Camcar Division of Textron Inc.