

EasyCoder 401 LLC – Installation Instructions

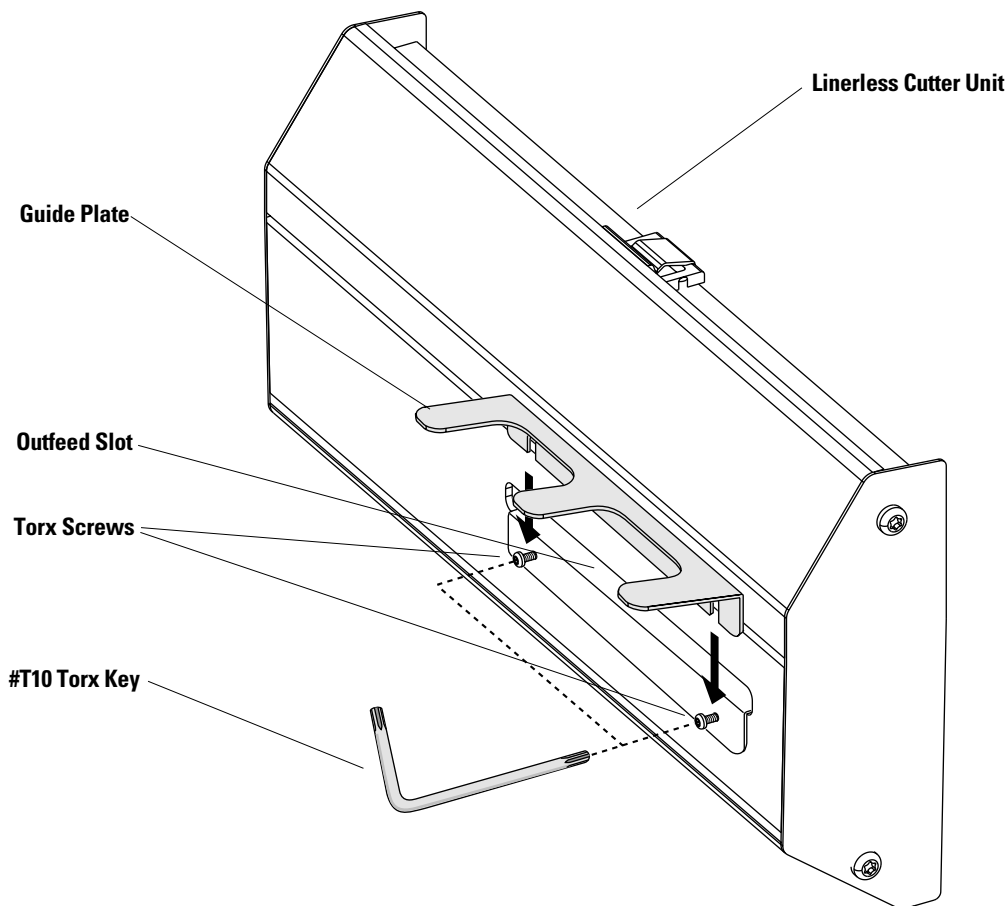
CUTTER GUIDE INSTALLATION

The guide plate is intended to be fitted at the front of the cutter for *EasyCoder 401 Linerless*. It prevents labels to fall off after cutting and stick e.g. to the front of the cutter or the table where the printer stands. It is not necessary to fit the guide plate, but we recommend to fit it unless some other means of taking care of the label are provided, e.g. an applicator.

The guide plate has a special coating that prevents labels to stick to it.

The guide plate is not fitted at delivery to prevent damage during transportation, but is easy to fit using a #T10 Torx key:

- Loosen the two #T10 Torx screws, that hold the plate beneath the cutter's outfeed slot, a few turns.
- Slip the guide plate onto the screws from above.
- Make sure to press the guide plate down as far as the U-shaped indents at the bottom edge allow.
- Tighten the screws.



1-960410-01
EasyCoder 401 Linerless Cutter
Cutter Guide Installation
Edition 2, September 1998

EasyCoder is a registered trademark of Intermec Technologies Corp.
Torx is a registered trademark of Camcar Division of Textron Inc.