

Installation Instructions

*P/N 1-960393-01
Edition 2
September 1998*

EasyCoder 601 Fan Fold Kit

 **ntermec**

A **UNOVA** Company

EasyCoder 601 – Installation Instructions

FAN FOLD KIT

Description

In addition to the internal paper roll, the *EasyCoder 601* printers can also use thermal paper or receiving face material from an external supply, e.g. an external paper roll or a stack of fan-folded tickets. The paper is inserted into the printer through either the upper or lower slot in rear plate.

It is important that the paper web is properly aligned in parallel with the printer's centre-line wall. Therefore, *Intermec* offers an optional "Fan Fold Kit" made up by three main units:

One Fan Fold Guide consisting of:

- 1 Fan Fold Guide
- 1 Inner Guide
- 1 Outer Guide
- 2 Screws MRT 4 × 6 FZB

Two Guide Shafts, each consisting of:

- 1 Break Shaft
- 2 Guide Rolls
- 1 Screw MRT 4 × 8 FZB

*EasyCoder 601
Fan Fold Kit
Installation Instructions
Edition 2, September 1998
Part No. 1-960393-01*

Information in this manual is subject to change without prior notice and does not represent a commitment on the part of Intermec Printer AB.

© Copyright Intermec PTC AB, 1998. All rights reserved. Published in Sweden.

*EasyCoder is a registered trademark of Intermec Technologies Corp.
Torx is a registered trademark of Camcar Division of Textron Inc.*

EasyCoder 601 – Installation Instructions

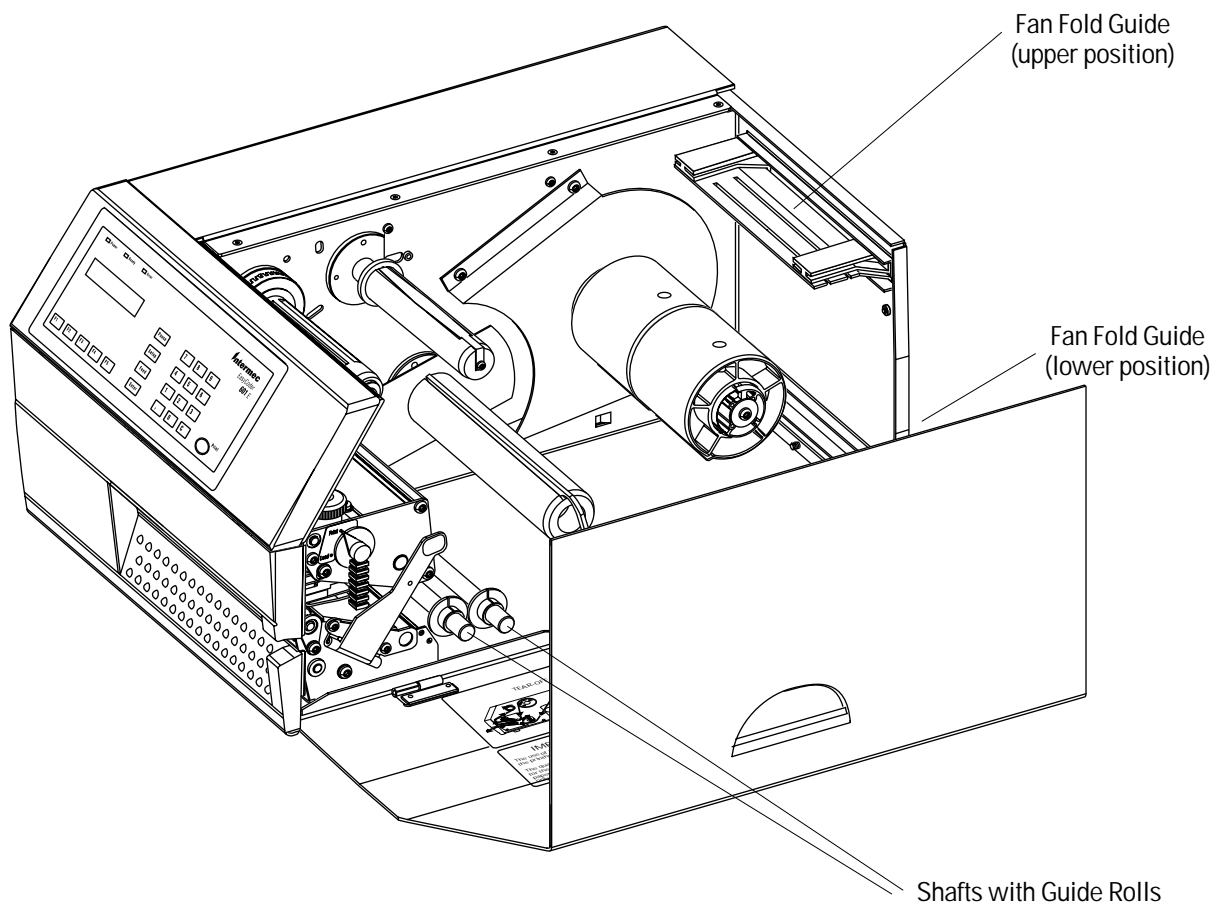
FAN FOLD KIT, cont'd.

Description, cont'd.

The guide bracket with its two guides is assembled before delivery and can be fitted in either the upper or lower slot in the rear plate by means of two screws. The outer guide is adjustable for different paper widths.

One or two shafts, each with two guide rolls, can be fitted to the rear of the print unit.

The kit can be used in different ways as explained later in this chapter.



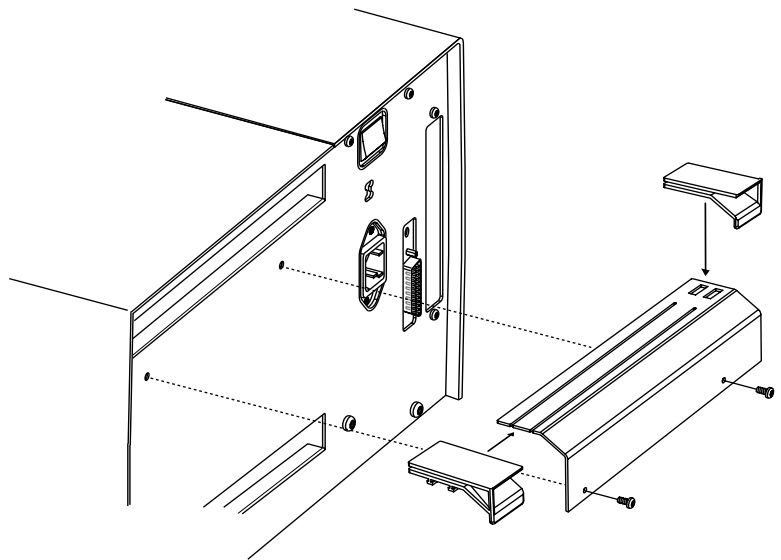
EasyCoder 601 – Installation Instructions

FAN FOLD KIT, cont'd.

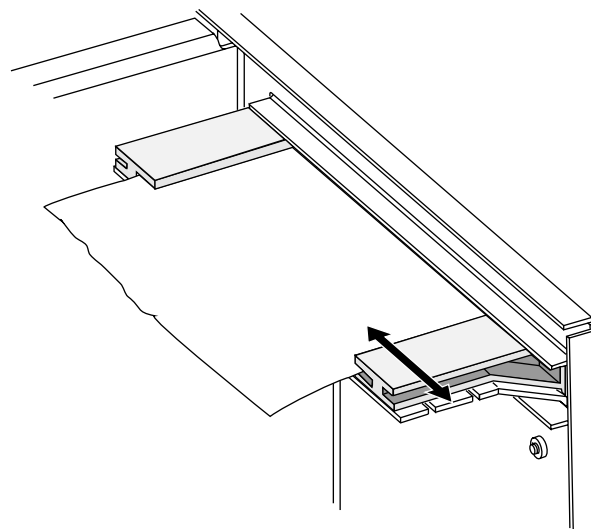
Installation – Fan Fold Guides

The guide bracket with the two guides can be fitted either at the upper or lower slot in the rear plate, depending on how the paper supply is located in relation to the printer.

Insert the complete unit through the slot from the outside and attach it to the rear plate by means of two #T20 Torx screws. In case of the upper position, use the screws included in the kit, and in case of the lower position, use the two existing screws that hold the rear plate to the bottom plate.



Adjust the position of the outer guide to fit the width of the paper.



Continued!

EasyCoder 601 – Installation Instructions

FAN FOLD KIT, cont'd.

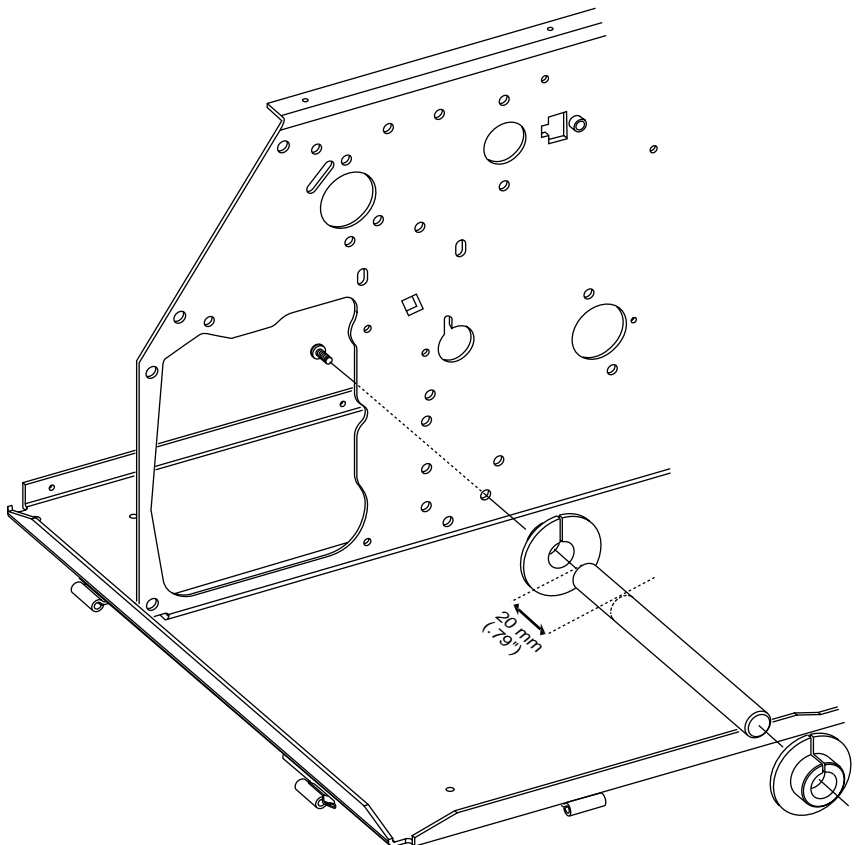
Installation – Rear Guide Shaft

The rear guide shaft is fitted as standard on all *EasyCoder 601 E* printers. However, there are no guide rolls on the shaft. Just press two guide rolls onto the shaft, as illustrated below. You will need to bend the shaft slightly away from the bottom plate before you can fit the inner guide roll.

If the shaft, for some reason, is missing in the printer, use one of the shafts included in the kit and attach it to the printer's centre-line wall by means of a #T20 Torx screw (included) inserted from the electronics compartment as illustrated below.

Before removing the left-hand cover, turn off the power and remove the power cord. The cover is held by eight #T10 Torx screws.

Adjust the inner guide roll so it guides the paper exactly 20 mm (.79") from the printer's centre-line wall. Then adjust the outer guide roll according to the width of the paper.



Continued!

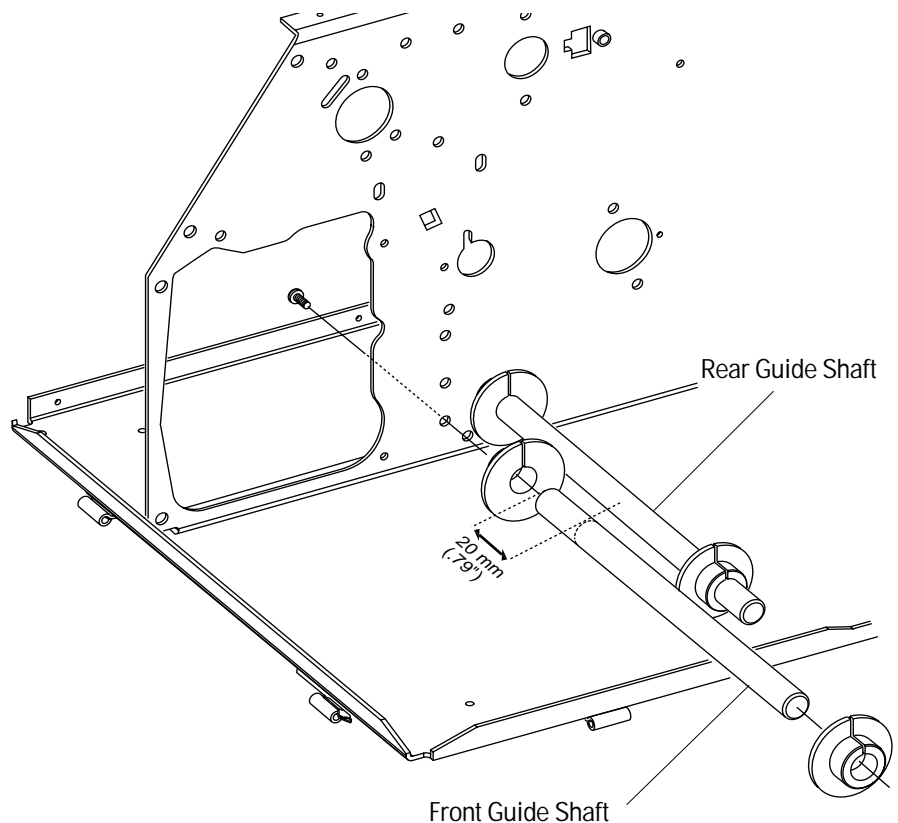
EasyCoder 601 – Installation Instructions

FAN FOLD KIT, cont'd.

Installation – Front Guide Shaft

In demanding applications, e.g. when using a cutter and/or ribbon save device, further guiding of the paper web may be required. This can be achieved by replacing the label slack absorber with an additional guide shaft. Proceed as follows:

- Turn off the power and remove the power cord. Then remove the left-hand cover, which is held by eight #T10 Torx screws.
- To gain access to the screws that hold the label slack absorber, the stepper motor of the paper rewind unit must be removed (see *EasyCoder 601 Service Manual*).
- Fit a guide shaft with two guide rolls in the lowest of the holes on the printer's centre-line wall using a #T20 Torx screw. All parts are included in the kit.
- Adjust the inner guide roll so it guides the paper exactly 20 mm (.79") from the printer's centre-line wall. Then adjust the outer guide roll according to the width of the paper.
- Put back the paper rewind motor and adjust the tension of the belts as described in the *EasyCoder 601 Service Manual*.
- Close the left-hand cover.



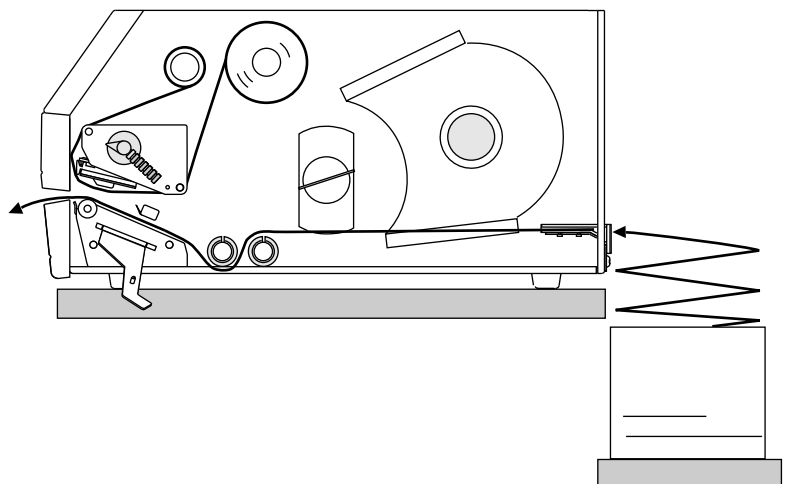
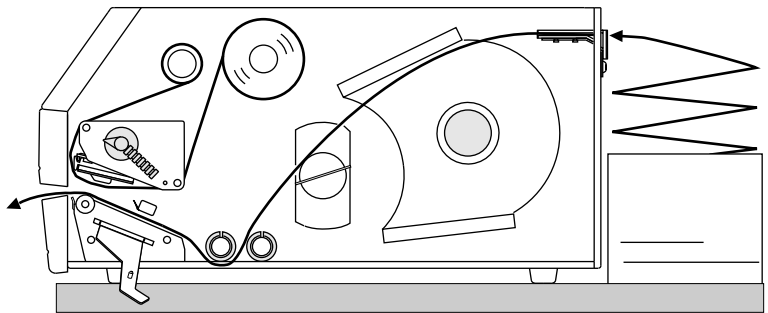
Continued!

EasyCoder 601 – Installation Instructions

FAN FOLD KIT, cont'd.

Paper Load Instructions

Load the paper web according to the illustrations below. Note that the external supply should be protected from dust, sand, grit and other particles that may damage the printhead or impair the printout quality.



Note that if the printer is to be used only with an external paper supply, the internal paper supply spool, together with the large crescent-shaped guide plate, could easily be removed (see EasyCoder 601 Service Manual).