

# Installation Instructions

*P/N 1-960391-02  
Edition 3  
September 1998*

# EasyCoder 401 Fan Fold Kit

 **ntermec**

A **UNOVA** Company

# EasyCoder 401 – Installation Instructions

## FAN FOLD KIT

---

### Description

In addition to the internal paper roll, the *EasyCoder 401* printers can also use thermal paper or receiving face material from an external supply, e.g. an external paper roll or a stack of fan-folded tickets. The paper is inserted into the printer through either the upper or lower slot in rear plate.

It is important that the paper web is properly aligned in parallel with the printer's centre-line wall. Therefore, *Intermec* offers an optional "Fan Fold Kit" consisting of:

- 1 Fan Fold Guide
- 1 Inner Guide
- 1 Outer Guide
- 2 Screws MRT 4 × 6 FZB

*The kit also contains two guide shafts, each consisting of:*

- 1 Break Shaft
- 2 Guide Rolls
- 1 Screw MRT 4 × 8 FZB

*These guide shafts are included for use in other printer models than EasyCoder 401 and can be discarded.*

*EasyCoder 401  
Fan Fold Kit  
Installation Instructions  
Edition 3, September 1998  
Part No. 1-960391-02*

*Continued!*

# EasyCoder 401 – Installation Instructions

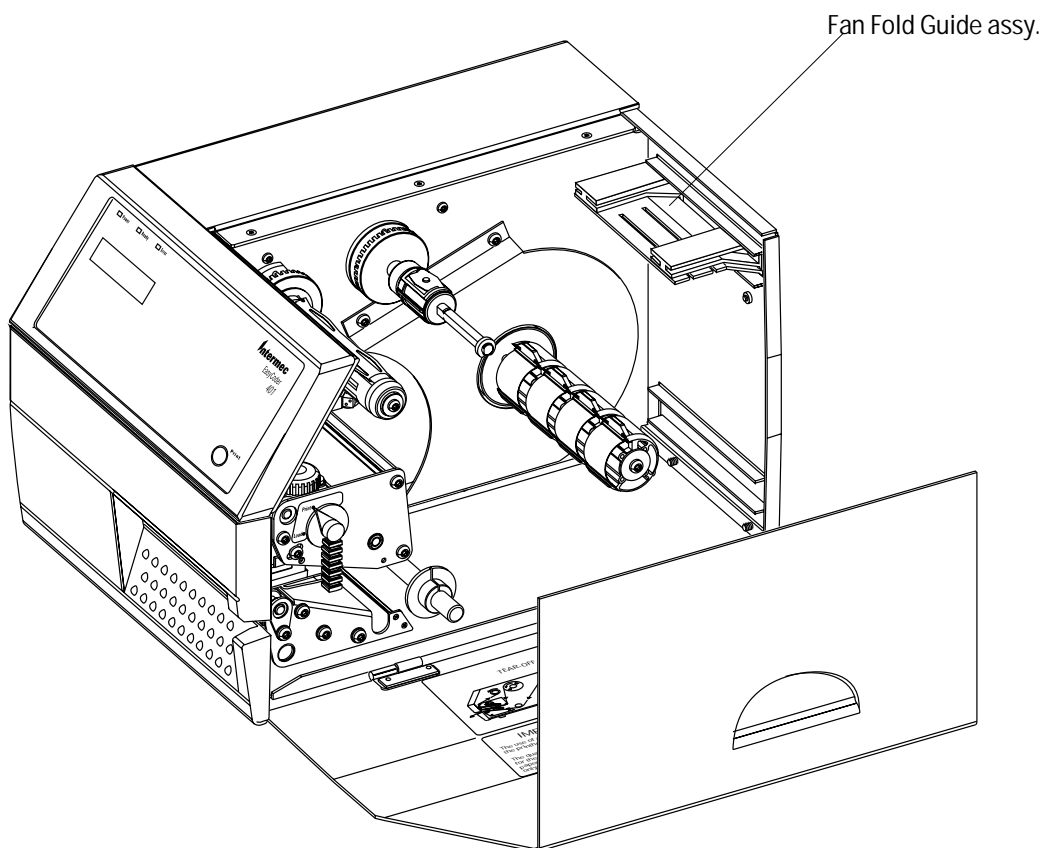
## FAN FOLD KIT, cont'd.

### Description, cont'd.

The guide bracket with its two guides is assembled before delivery and can be fitted in the upper slot in the rear plate by means of two screws. The outer guide is adjustable for different paper widths.

*Note:*

*The lower slot in the rear plate can only be fitted with a fan fold guide after the crescent-shaped guide plate inside the paper supply roll has been removed.*



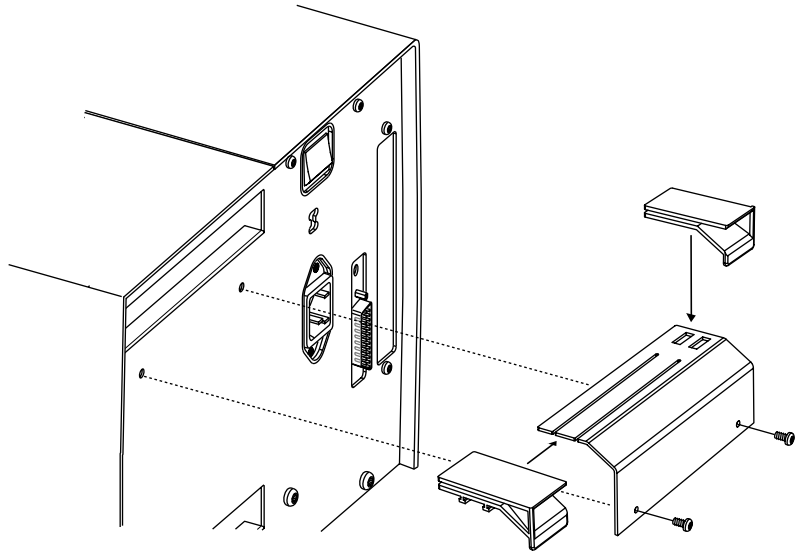
# EasyCoder 401 – Installation Instructions

## FAN FOLD KIT, cont'd.

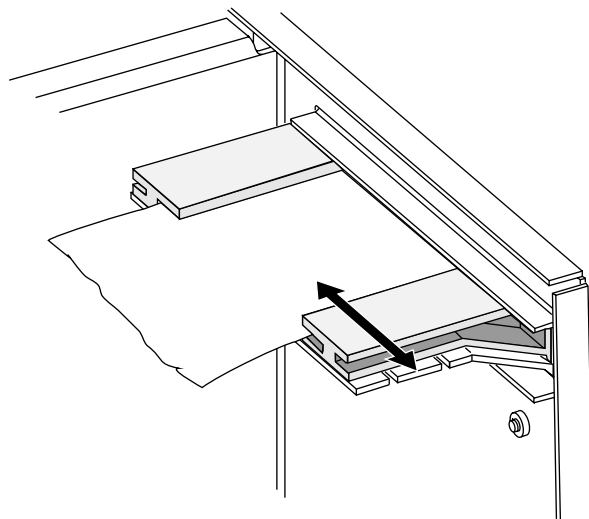
---

### Installation – Fan Fold Guides

The guide bracket with the two guides can be fitted either at the upper slot in the rear plate. Insert the complete unit through the slot from the outside and attach it to the rear plate by means of the two #T20 Torx screws included in the kit.



Adjust the position of the outer guide to fit the width of the paper.



*Continued!*

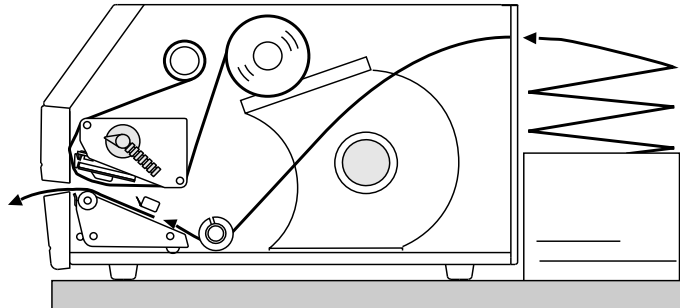
# EasyCoder 401 – Installation Instructions

## FAN FOLD KIT, cont'd.

---

### Paper Load Instructions

Load the paper web according to the illustration below. Note that the external supply should be protected from dust, sand, grit and other particles that may damage the printhead or impair the printout quality.



*Information in this manual is subject to change without prior notice and does not represent a commitment on the part of Intermec Printer AB.*

*© Copyright Intermec PTCAB, 1998. All rights reserved. Published in Sweden.*

*EasyCoder is a registered trademark of Intermec Technologies Corp.*

*Torx is a registered trademark of Camcar Division of Textron Inc.*

---