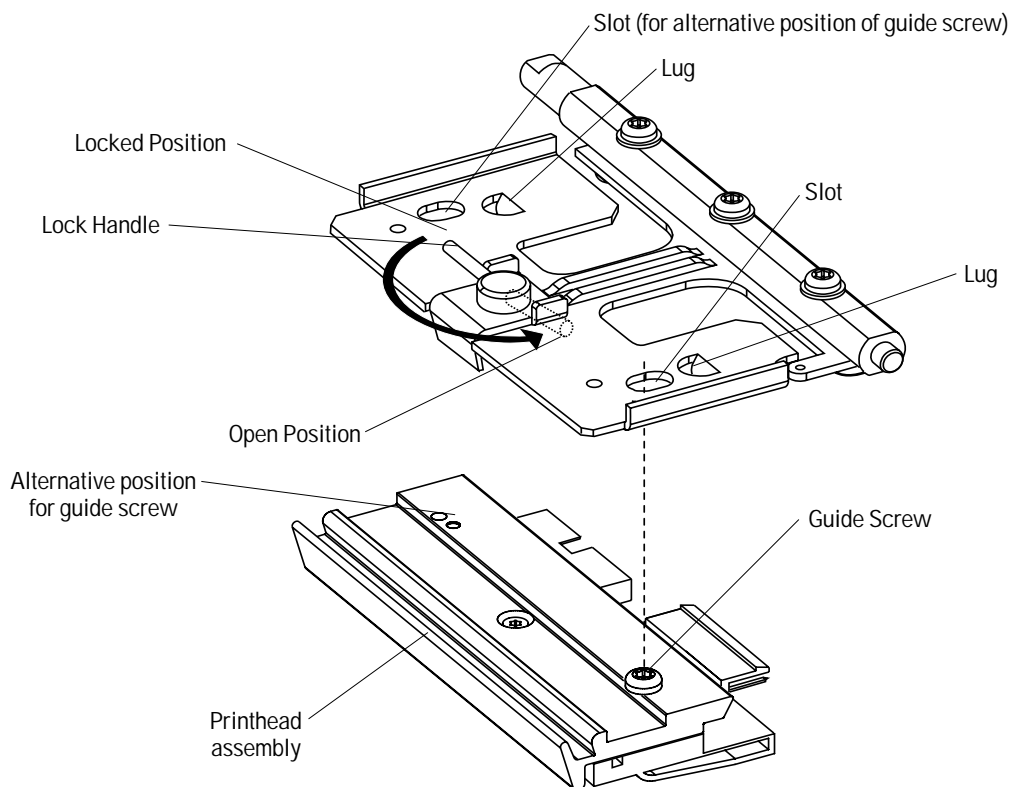


# EasyCoder 401 – Installation Instructions

## PRINTHEAD REPLACEMENT

The quick-mount thermal printhead is designed to be easy to replace:

- Turn off the printer.
- Open the front hatch and right-hand door.
- Lift the printhead.
- Remove the transfer ribbon.
- Turn the lock handle counter-clockwise to *open* position, see illustration.
- The printhead assembly will now be free. Remove it carefully as far as the cables allow.
- Remove the two printhead cables. Pull at the connectors rather than the cables!
- If you want to change the position of the printhead, move the #T20 Torx screw to its alternative position.
- Connect the two cables to the printhead.
- Fit the replacement printhead assembly back into the bracket so the guide screw fits into its slot and the rear end of the adapter is held by the two lugs.
- Turn the locking handle clockwise to *locked* position.
- Put back the transfer ribbon. Check that the printhead cables do not interfere with the ribbon.
- Lower the printhead.
- Turn on the power. At power-up, the printer will automatically reset itself to the characteristics of the printhead in regard of head resistance and density.
- Close the front hatch and right-hand door and the printer is ready for operation.



1-960390-02  
EasyCoder 401  
Printhead Replacement Instructions  
Edition 3, September 1998

Information in this manual is subject to change without prior notice and does not represent a commitment on the part of Intermec Printer AB.

© Copyright Intermec PTC AB, 1998. All rights reserved. Published in Sweden.

EasyCoder is a registered trademark of Intermec Technologies Corp.