

Installation Instructions

*P/N 1-960363-03
Edition 4
September 1998*

EasyCoder 201 II Black Mark Sensor Kit

 **ntermec**

A **UNOVA** Company

BLACK MARK SENSOR KIT

General Information

The Black Mark Sensor Kit can be fitted to replace the standard label-taken sensor in such *EasyCoder 201 II* printers that do not use an internal backing paper rewind unit. The Black Mark Sensor controls the paper feed according to preprinted black marks, either on top of the paper or at the back of the paper, depending on how the sensor is fitted.

The Label-Taken Sensor kit consists of:

- 1 Sensor assy. with cable and connector.
- 1 Bracket
- 1 Screw MRT 3x5
- 2 Screws MCS 2x4
- 1 Washer
- This Installation Instructions booklet

The Black Mark Sensor's point of detection is 7 mm (0.28") outside the printer's centreline gable. That implies that the point of detection is situated 7 mm (0.28") inside the inner edge of the paper web on a standard printer and 2 mm (0.08") on a Big Roll printer.

Black marks should be printed adjacent to the inner edge of the paper web and have length (along the web) of at least 5 mm (0.2") and a width (across the web) of at least 10 mm (0.4").

The printer should be placed on a non-reflecting surface and be run with the right-hand door closed to avoid interference caused by lamps and sunlight.

*EasyCoder 201 II
Black Mark Sensor Kit
Installation Instructions
Edition 4, September 1998
Part No. 1-960363-03*

Information in this manual is subject to change without prior notice and does not represent a commitment on the part of Intermec Printer AB.

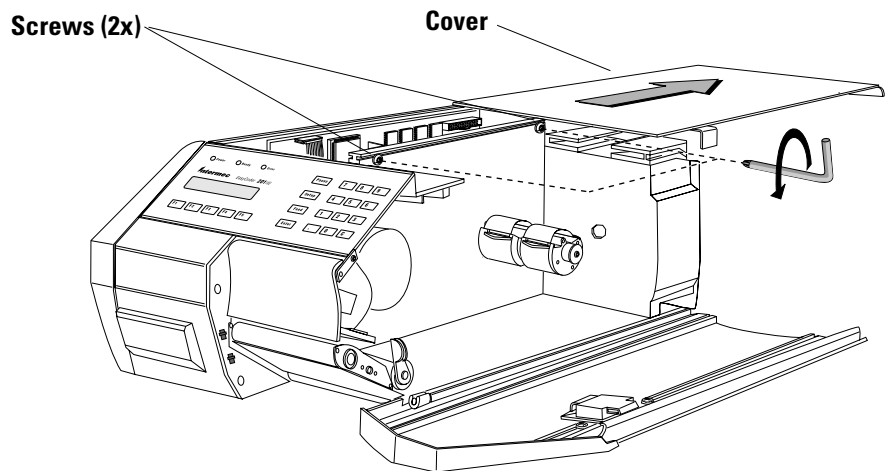
*© Copyright Intermec PTCAB, 1998. All rights reserved. Published in Sweden.
EasyCoder and Fingerprint are registered trademarks of Intermec Technologies Corp.*

EasyCoder 201 II – Installation Instructions

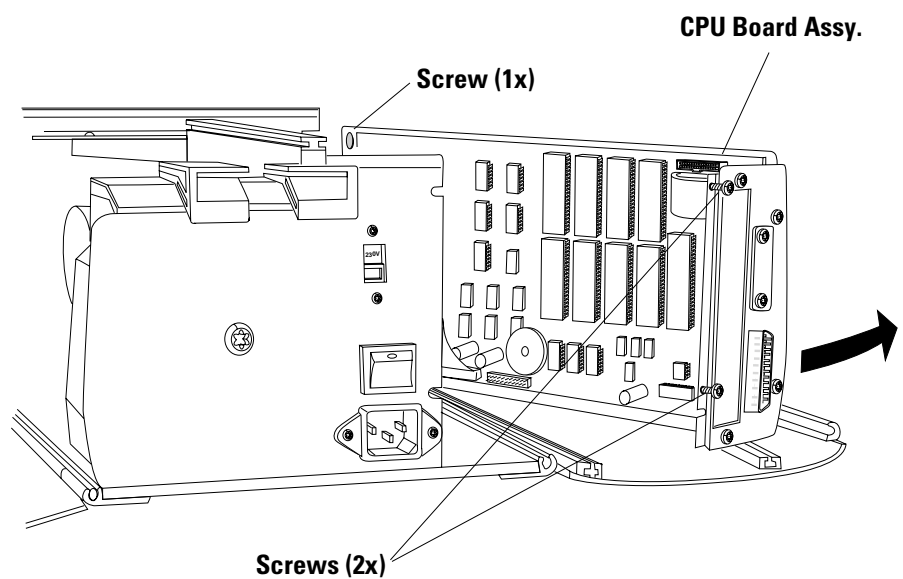
BLACK MARK SENSOR KIT, cont'd.

Step-by-Step Installation Instructions

- Turn off the power and remove the power cord.
- Disconnect all communication cables.
- Open the right-hand door.
- Loosen the two screws that lock the cover.
- Pull the cover straight back and remove it completely.



- Open the left-hand door.
- Loosen the three screws that hold the CPU board assy. and swing the unit outwards as illustrated.



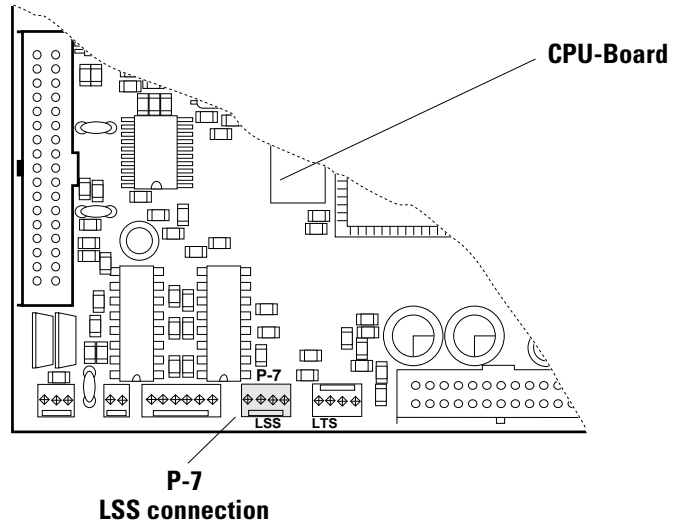
Continued!

EasyCoder 201 II – Installation Instructions

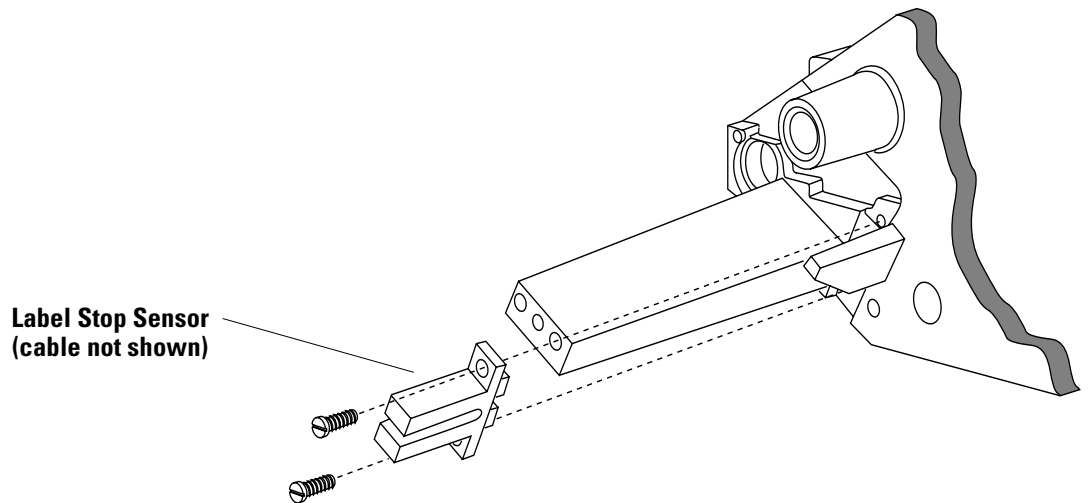
BLACK MARK SENSOR KIT, cont'd.

Step-by-Step Installation Instructions, cont'd.

- ❑ Disconnect the cable of the label stop sensor from **P-7** on the CPU board.



- ❑ Remove the label stop sensor (LSS). In standard printers, this is a simple operation. Using a flat-tipped screwdriver, remove the two screws that hold the sensor and pull the sensor with its cable straight out.



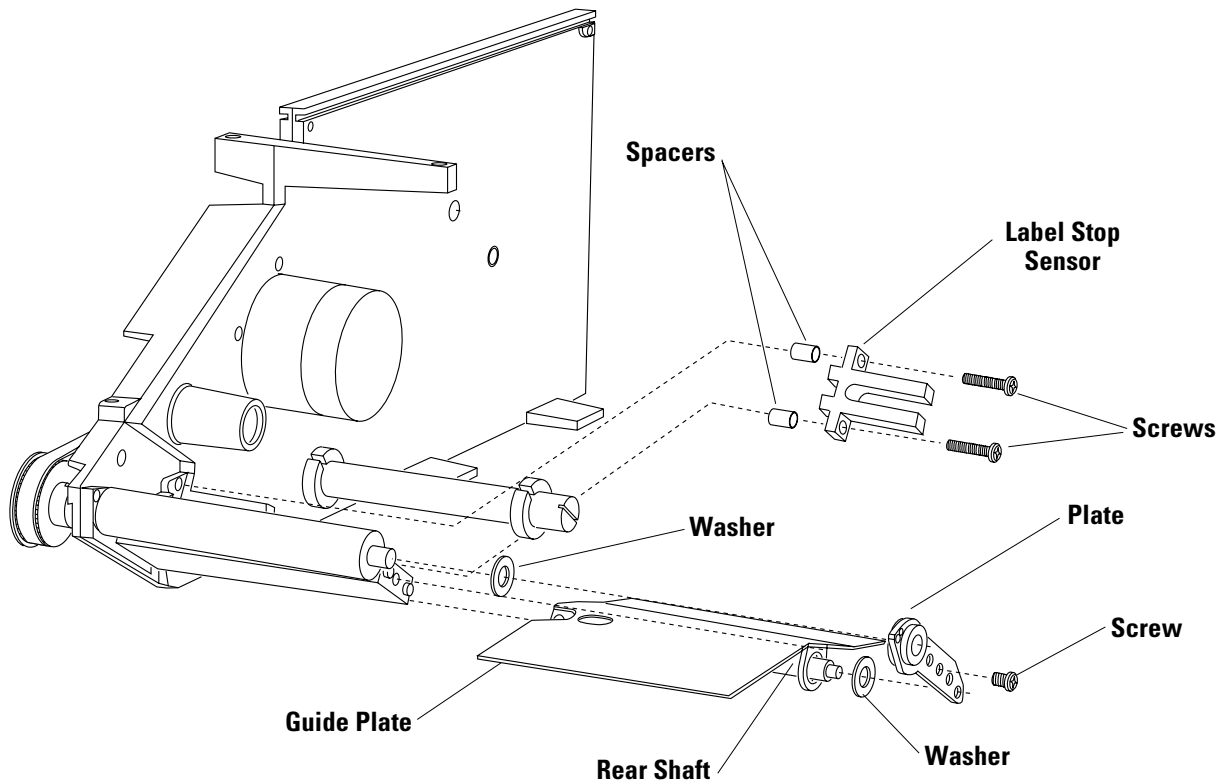
Continued!

EasyCoder 201 II – Installation Instructions

BLACK MARK SENSOR KIT, cont'd.

Step-by-Step Installation Instructions, cont'd.

- In case of Big Roll and Bag Tag models, there is a guide plate that must be removed before the LSS can be replaced:
 - Remove the screw that holds the plate at the outer end of the print roller. Carefully pry loose the plate without losing the washers, one of which is fitted on the print roller's shaft, and the other on the rear shaft. Remove the guide plate and the rear shaft.
 - Remove the two screws that hold the LSS.
 - Carefully, pull out the sensor and its cable.

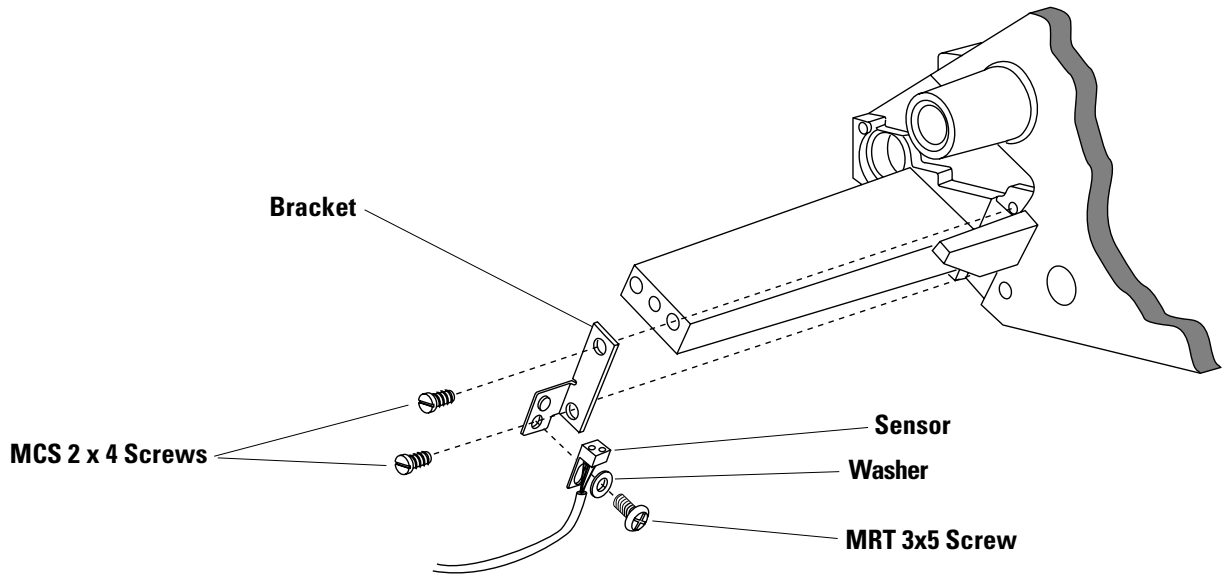


Continued!

BLACK MARK SENSOR KIT, cont'd.

Step-by-Step Installation Instructions, cont'd.

- ❑ Using the two MCS 2x4 screws included in the, fit the bracket included in the kit at the place of the LSS. The bracket can be fitted in two directions, depending on whether the sensor should detect black marks at the top or the back of the paper.



*Black Mark Sensor fitted as to detect marks at the back of the paper.
To detect marks on the top, turn bracket 180°.*

- ❑ After having fitted the bracket, attach the sensor to the bracket by means of the MRT 3x5 Torx screw and the washer included in the kit. The small lenses on the sensor housing should face the paper web.
- ❑ In case of Big Roll and Bag Tag printers, put back the guide plate, washers, shaft, and plate in reverse order. Check that hole in the guide plate is aligned with the sensor. Keep the spacers in case you want to change back to LSS later.
- ❑ If the Black Mark Sensor has been fitted to detect marks at the **top** of the paper, thread the cable straight up and into the electronics compartment next to the printhead cable. Connect the cable to **P-7** on the CPU board.

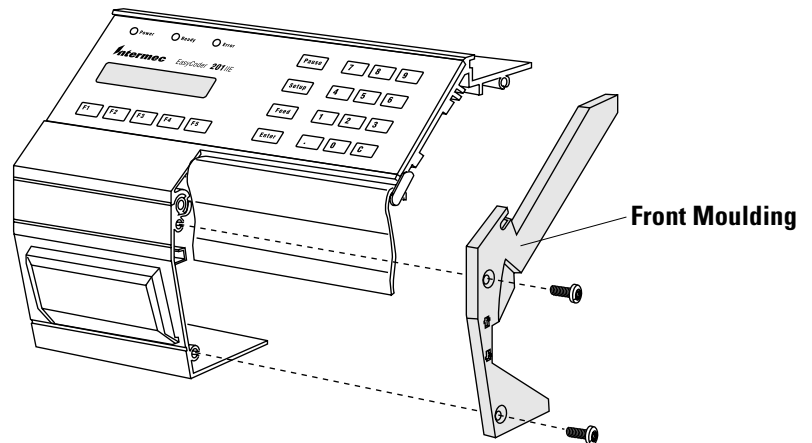
Continued!

EasyCoder 201 II – Installation Instructions

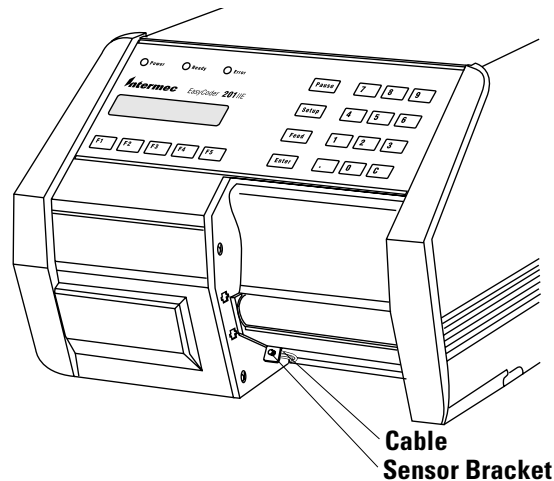
BLACK MARK SENSOR KIT, cont'd.

Step-by-Step Installation Instructions, cont'd.

- ❑ If the Black Mark Sensor has been fitted to detect marks at the **back** of the paper, remove the two screws that hold the front moulding and carefully manipulate the moulding away from the printer's front.



- ❑ Thread the cable into the electronics compartment and connect it to **P-7** on the CPU board. Then put back the front moulding so the cable becomes squeezed in between the bottom rear part of the moulding and the bottom plate.



- ❑ Fasten the CPU board assy. Close the left-hand door and put back the cover. Connect the power cord and communication cables. Load a supply of paper with black marks and close the right-hand door.
- ❑ In the Setup Mode, or by means of a setup file, set the Media Type to "Ticket (w Mark)".
- ❑ Adjust the sensitivity of the Black Mark Sensor in the Setup Mode, just as a label stop sensor. See *EasyCoder 201 II* Technical Manual.