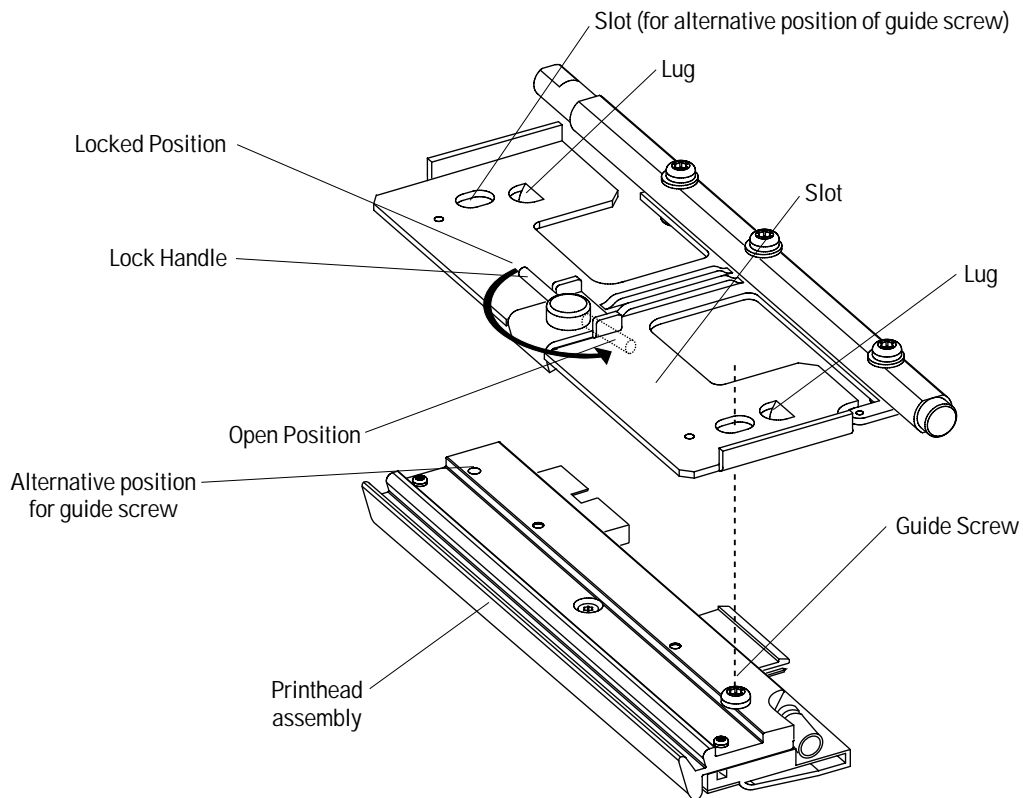


# EasyCoder 601 – Installation Instructions

## PRINthead REPLACEMENT

*The quick-mount thermal printhead is designed to be easy to replace:*

- Turn off the printer.
- Open the front hatch and right-hand door.
- Lift the printhead.
- Turn the lock handle counter-clockwise to *open* position, see illustration.
- The printhead assembly will now be free. Remove it carefully as far as the cables allow.
- Remove the two printhead cables. Pull at the connectors rather than the cables!
- If you want to change the position of the printhead, move the #T20 Torx screw to its alternative position.
- Connect the two cables to the printhead.
- Fit the replacement printhead assembly back into the bracket so the guide screw fits into its slot and the rear end of the adapter is held by the two lugs.
- Turn the locking handle clockwise to *locked* position.
- Lower the printhead.
- Turn on the power. At power-up, the printer will automatically reset itself to the characteristics of the printhead in regard of head resistance and density.
- Close the front hatch and right-hand door and the printer is ready for operation.



1-960351-51  
EasyCoder 601  
Printhead Replacement Instructions  
Edition 2, September 1998