

# Installation Instructions

*P/N 1-960349-04  
Edition 3  
September 1998*

# EasyCoder 501/601 Memory Card Adapter Kit

The logo for Intermec, featuring a red triangle pointing to the right, followed by the word "ntermec" in a bold, lowercase, sans-serif font.

A **UNOVA** Company

# EasyCoder 501/601 – Installation Instructions

## MEMORY CARD ADAPTER KIT

---

### General Information

*Note:*

*Illustrations show an EasyCoder 501. The principles for fitting this optional equipment in an EasyCoder 601 are exactly the same.*

This leaflet contains instructions on how to install a Memory Card Adapter in an *EasyCoder 501* or *EasyCoder 601* printer. This optional device could be purchased as a kit for field installation by an authorized technician. When such is the case, please follow the present instruction sheets for maximum safety and performance.

Before starting to modify your printer, check that the Memory Card Adapter Kit is complete. It should include the following parts:

- One Memory Card Circuit Board
- One Bracket
- One Connection Cable
- One Address Decoder GAL 20V8 (fitted on the circuit board)
- One Bus Driver Board
- Three Screws RTK ST 4×6 FZB
- Two Screws RTK ST 2.9×16 FZB
- This instruction booklet

The only tool required is a #T10 Torx screwdriver.

*EasyCoder 501/601  
Memory Card Adapter Kit  
Installation Instructions  
Edition 3, September 1998  
Part No. 1-960349-04*

*Information in this manual is subject to change without prior notice and does not represent a commitment on the part of Intermec Printer AB.*

*© Copyright Intermec PTCAB, 1998. All rights reserved. Published in Sweden.*

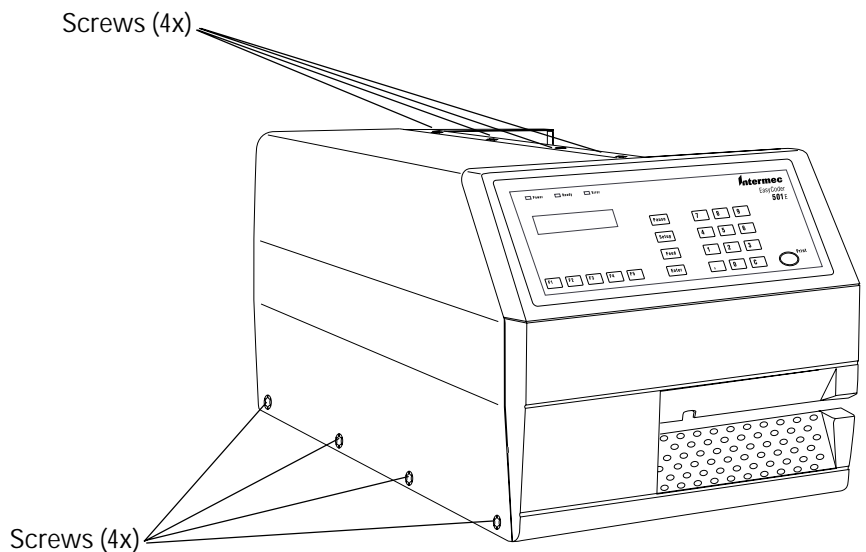
*EasyCoder is a registered trademark of Intermec Technologies Corp.  
Torx is a registered trademark of Camcar Division of Textron Inc.*

# EasyCoder 501/601 – Installation Instructions

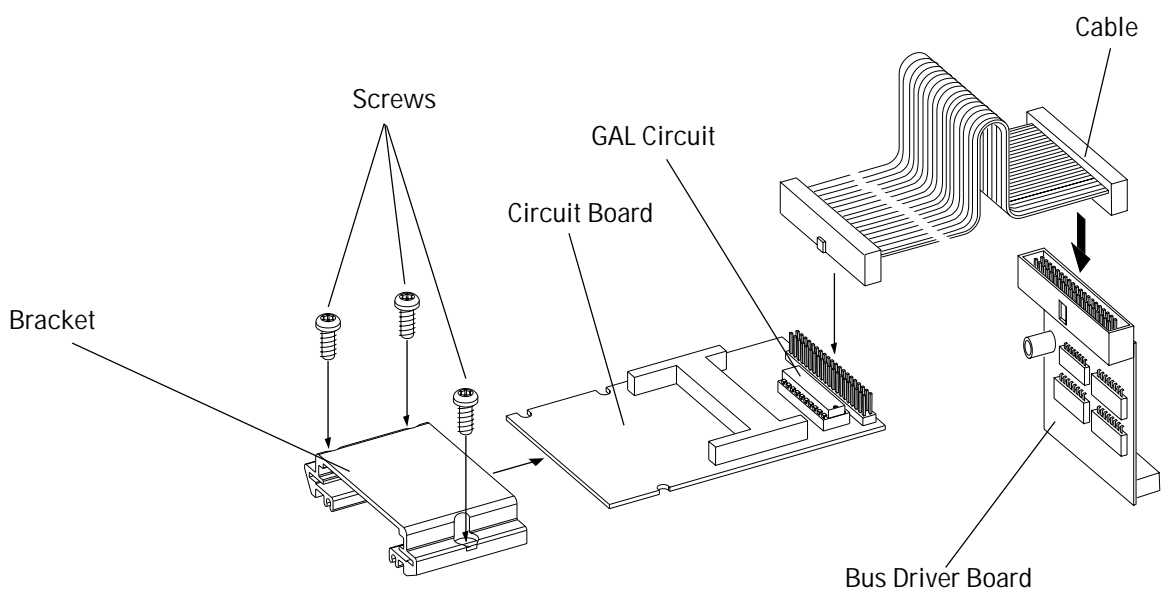
## MEMORY CARD ADAPTER KIT, cont'd.

### Step-by-Step Installation Instructions

- ❑ Turn off the power. For extra safety, pull the power cord out of the mains receptacle at the rear plate of the printer.
- ❑ Open the right-hand door.
- ❑ Using a #T10 Torx screwdriver, remove the eight screws that hold the left-hand cover (see illustration).



- ❑ Remove the cover and open the front hatch (or cutter unit).
- ❑ Using the three short #T10 Torx screws in the kit, attach the bracket onto the adapter's circuit board. Also fit the long end of the connection cable to the connector at the rear part of the adapter unit.



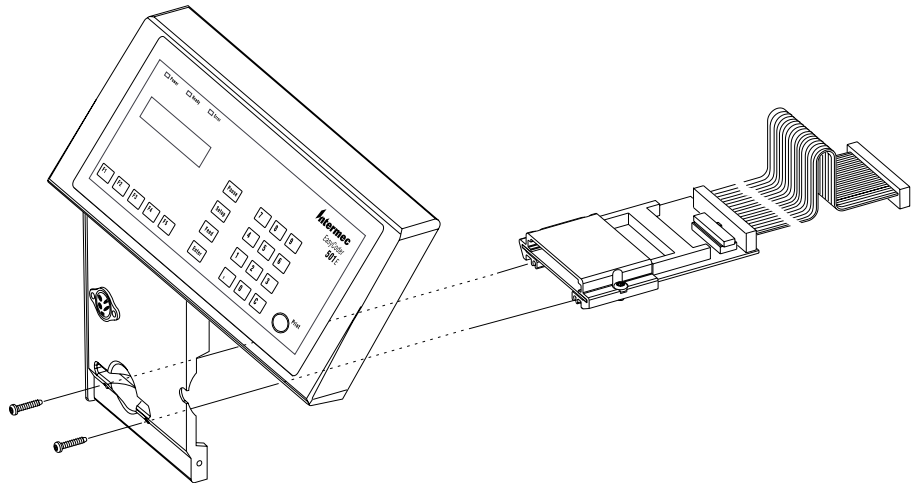
*Continued!*

# EasyCoder 501/601 – Installation Instructions

## MEMORY CARD ADAPTER KIT, cont'd.

### Step-by-Step Installation Instructions, cont'd.

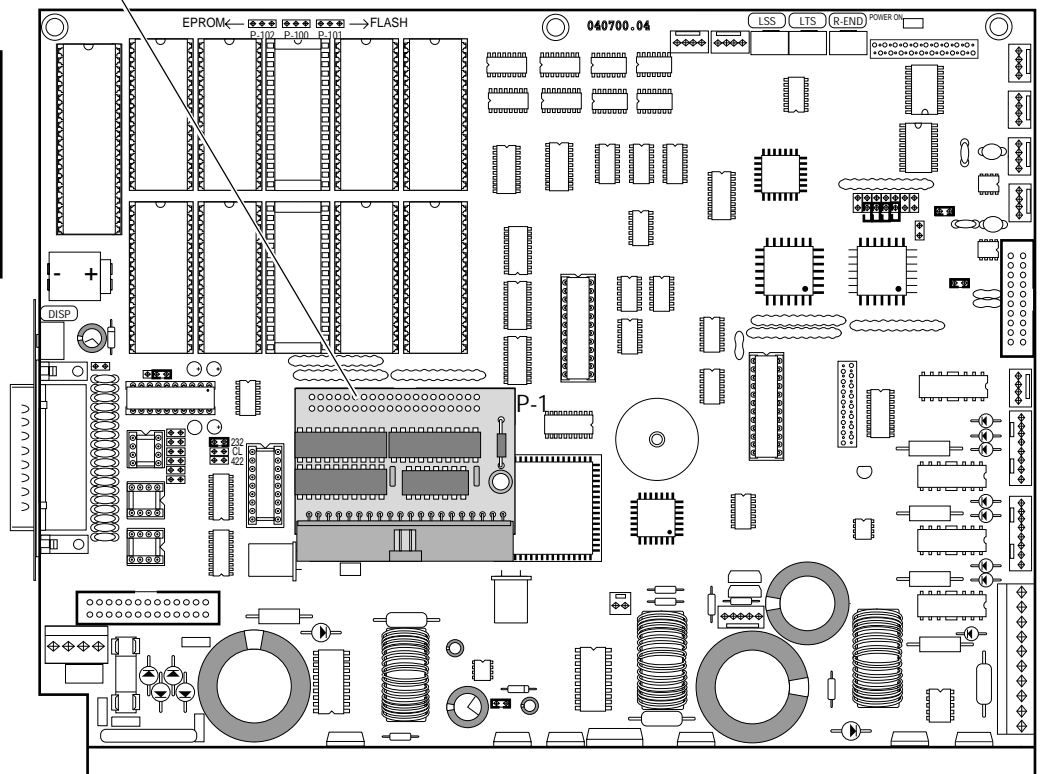
- ❑ Using the two remaining self-tapping #T10 Torx screws, attach the Memory Card Adapter assembly to the printer's front as illustrated:



- ❑ Attach the Bus Driver board to connector P-1 (marked "Memory Exp") on the printer's CPU board as illustrated below.

Bus Driver Board

**IMPORTANT!**  
The connector of the Bus Driver board must be centred in the connector on the CPU board.

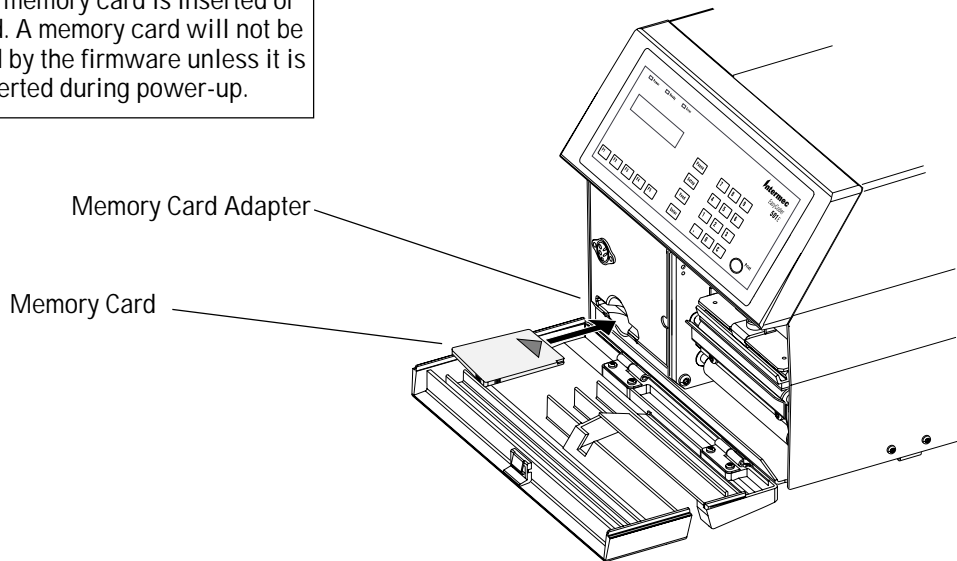


*Continued!*

## MEMORY CARD ADAPTER KIT, cont'd.

### Step-by-Step Installation Instructions, cont'd.

**IMPORTANT!**  
The printer must be OFF when a memory card is inserted or removed. A memory card will not be detected by the firmware unless it is inserted during power-up.



- ❑ Connect the cable from the memory card adapter to the free connector on the Bus Driver board (P-2). Check that the cable cannot be damaged by movable mechanical parts.

- ❑ Put back the left-hand cover as initially mounted.
- ❑ Check that a memory card can easily be inserted and pulled out from the adapter.
- ❑ Close the front hatch and right-hand door, and insert the mains cable. Switch on power. The printer is now ready for use.

Memory cards must comply with the JEIDA-4 standard. Please refer to the *EasyCoder 501* or *EasyCoder 601* Technical Manuals and Service Manuals for information on the subject of memory cards.