

Installation Instructions

*P/N 1-960348-52
Edition 3
September 1998*

EasyCoder 601 Paper Cutter Kit

 **ntermec**

A **UNOVA** Company

EasyCoder 601 – Installation Instruction

PAPER CUTTER KIT

General Information

This leaflet contains instructions on how to fit a Paper Cutter on an *EasyCoder 601* printer.

The Paper Cutter Kit consists of:

- One cutter unit assembly
- This installation instructions leaflet

The Paper Cutter is power-supplied by the printer and is consequently not dependent on a separate mains connection.

The Paper Cutter is intended to cut through continuous non-adhesive paper strip or through the backing paper between labels. It must not be used to cut through any kind of adhesive, which would stick to the cutting parts and rapidly render the cutter inoperable – possibly also causing damage to the electric motor.

Maximum paper thickness is 175 μm (\approx 175 grammes/m²) for normal paper-based materials.

The Paper Cutter replaces the printer's front hatch and can be tilted down in order to facilitate cleaning and paper load and also to give access to the optional Memory Card Adapter.

When the Paper Cutter is fitted, it will increase the printer's length and weight by:

Length: 28 mm (1.1")

Weight: \approx 1.65 kgs (\approx 3.6 lbs)

The rotating cutting edge will cut through the paper approximately 37 mm (1.5") in front of the printer's tear-off edge. The paper feed setup should be adjusted accordingly, see page 6.

CAUTION!

For safety reasons, the cutter must not be operated when in open position.

*EasyCoder 601
Paper Cutter Kit
Installation Instructions
Edition 3, September 1998
Part No. 1-960348-52*

Information in this manual is subject to change without prior notice and does not represent a commitment on the part of Intermec Printer AB.

© Copyright Intermec PTCAB, 1998. All rights reserved. Published in Sweden.

EasyCoder and Fingerprint are registered trademarks of Intermec Technologies Corp.

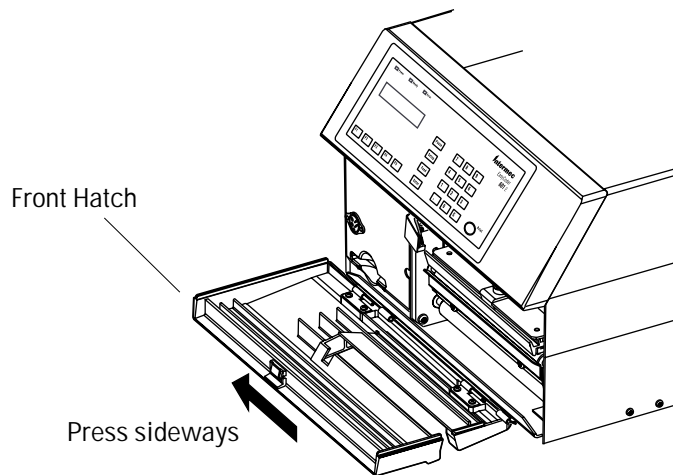
Torx is a registered trademark of Camcar Division of Textron Inc.

EasyCoder 601 – Installation Instruction

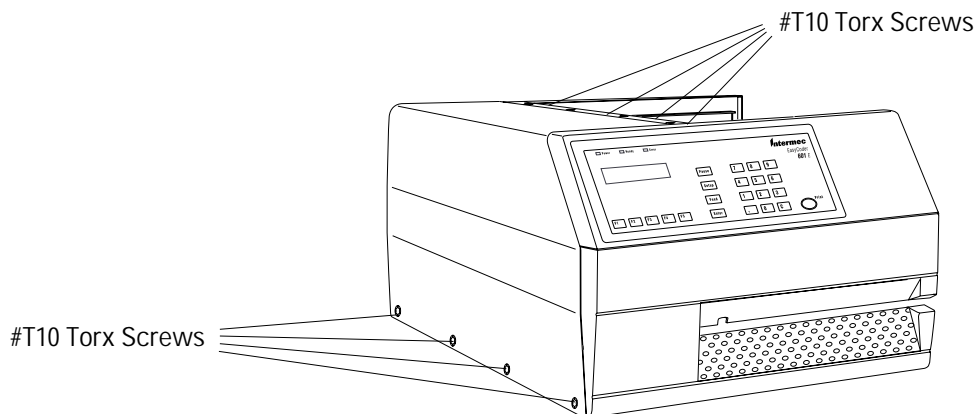
PAPER CUTTER KIT, cont'd.

Step-by-Step Instructions

- ❑ **Important!**
Turn off the main switch and remove the power cord.
- ❑ Open the printer's front hatch.
- ❑ Hold the printer firmly and press the front hatch sideways to the left so the hinges disengage.
- ❑ Remove the hatch completely.



- ❑ The printer may be fitted with a label-taken sensor (LTS), which intrudes on the space required by the cutter and which has no use anyway in connection with cut-off operation. Before the cutter can be fitted, the LTS must be removed.
- ❑ Remove the cover over the left part of the printer. It is held by four #T10 Torx screws along the lower edge and another four similar screws at the top.



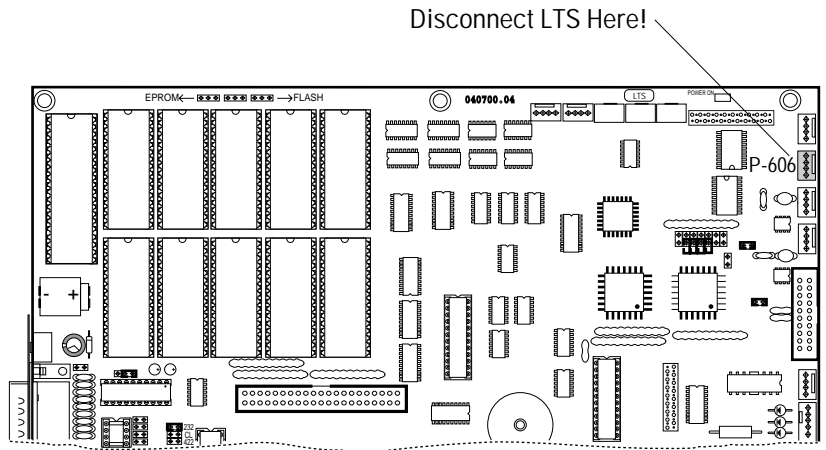
Continued!

EasyCoder 601 – Installation Instruction

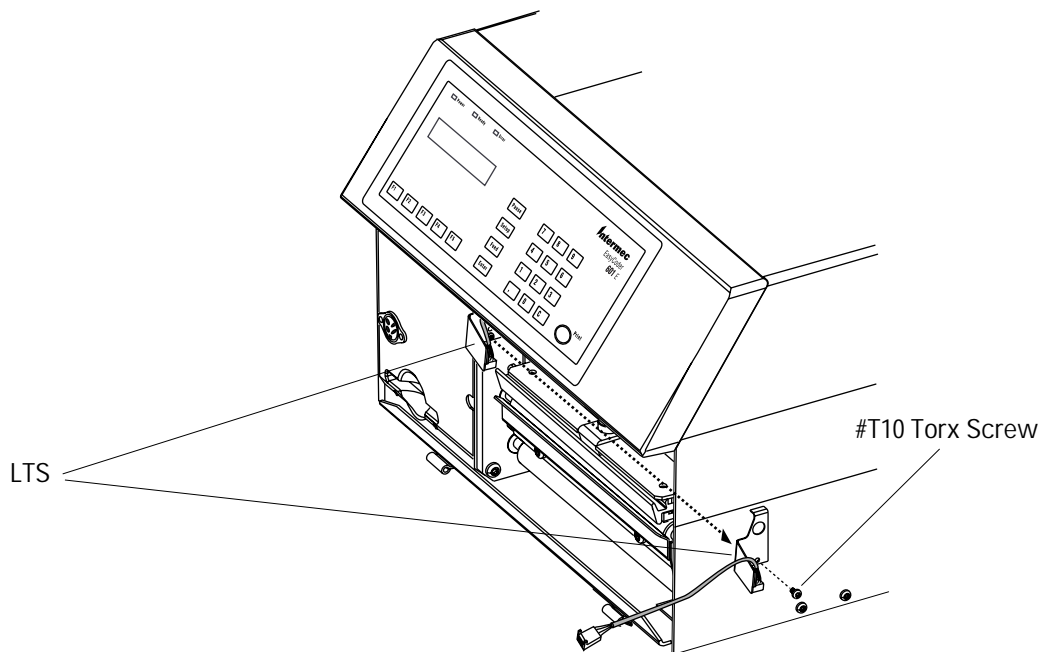
PAPER CUTTER KIT, cont'd.

Step-by-Step Instructions, cont'd.

- ❑ Disconnect the LTS cable from connector **P-606** at the upper front corner of the CPU board.



- ❑ Loosen the #T10 Torx screw that holds the LTS bracket to the front of the print unit and remove the LTS assembly. Be careful not to damage the cable – you may want to put back the LTS later or use it in another printer (it fits all *EasyCoder 401/501/601* printers).



- ❑ Put back the left-hand cover plate.

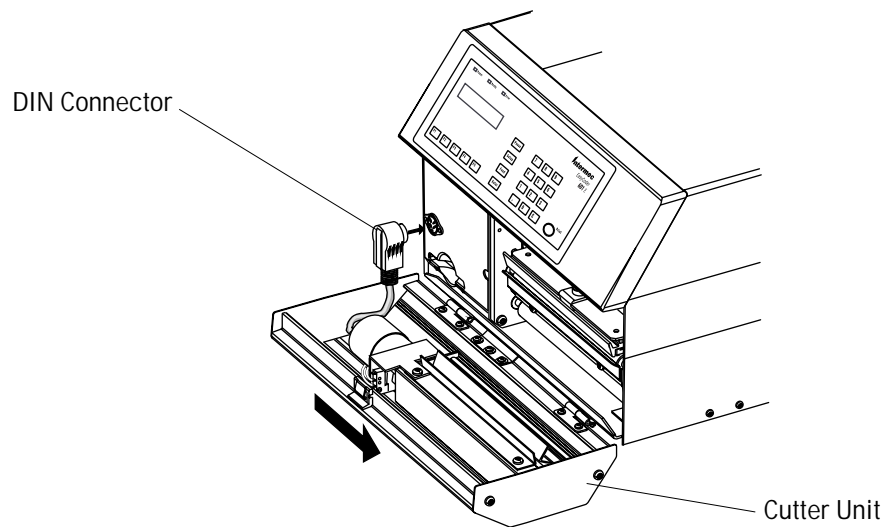
Continued!

EasyCoder 601 – Installation Instruction

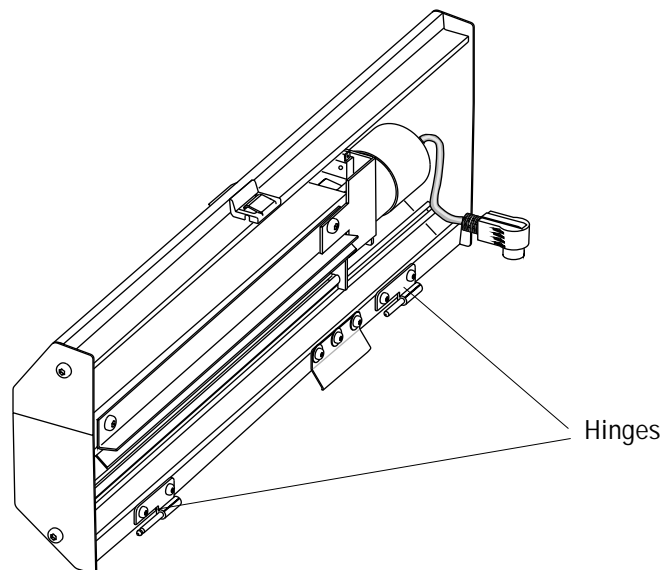
PAPER CUTTER KIT, cont'd.

Step-by-Step Instructions, cont'd.

- ❑ Fit the cutter unit to the vacant hinges from which you removed the front hatch. Make sure that the locking plate snaps into the groove of the right-hand hinge and that the angled plate at the bottom of the cutter is inserted under the printer's bottom plate.
- ❑ Fit the cable from the cutter unit into the DIN connector above the memory card slot on the printer's front.



- ❑ Tilt the cutter unit upwards until it locks into place. If the cutter does not lock properly, the hinges of the cutter unit may need to be adjusted using a #T10 Torx key.



Continued!

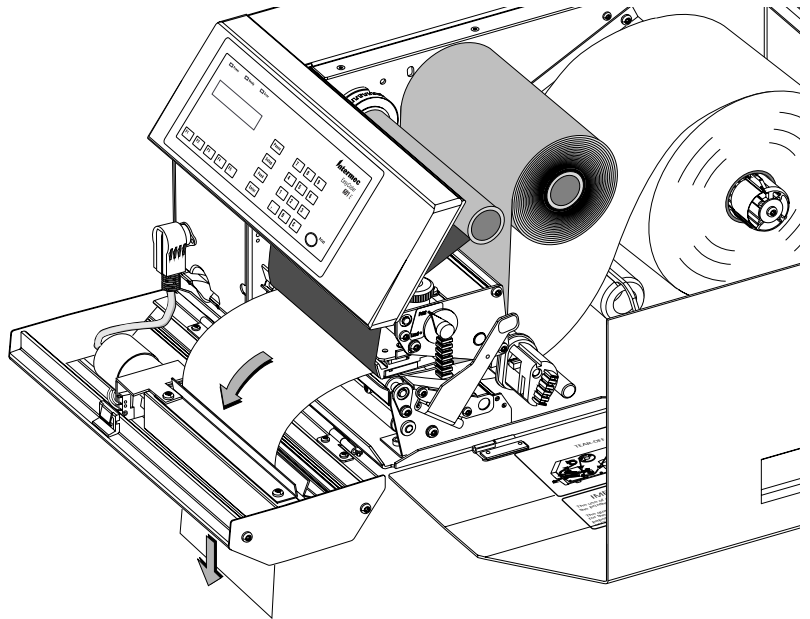
EasyCoder 601 – Installation Instruction

PAPER CUTTER KIT, cont'd.

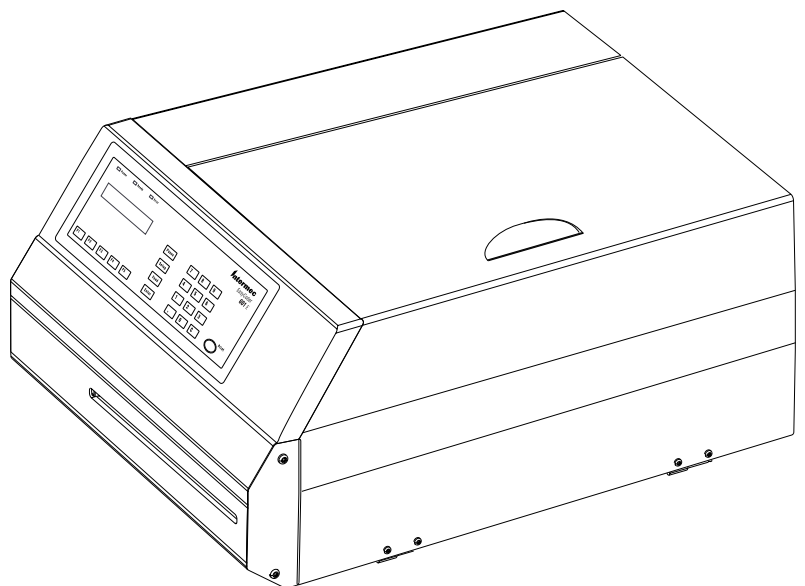
Step-by-Step Instructions, cont'd.

- ❑ Put back the power cord and switch on power. The cutter will perform an idle cycle in order to occupy its home position. Switch off the power again.
- ❑ Tilt down the cutter and thread the paper through the cutter unit between the guide plates.

CAUTION!
Do not open the cutter while the power is on!



- ❑ Tilt up the cutter again and lock it in closed position. Make sure the printhead is lowered, close the right-hand door and switch on the power. Now the printer is ready for operation.



EasyCoder 601 – Installation Instruction

PAPER CUTTER KIT, cont'd.

Controlling the Cutter

The cutter is activated by CUT statements in the *Intermec Fingerprint* program, see the *Intermec Fingerprint 6.13* Reference Manual.

Since the cutting edge is situated a longer distance from the printhead than the tear-off/dispensing edge, the paper feed setup may need to be adjusted (see “*Setup Parameters; Detection*” in the *EasyCoder 601* Technical Manuals).

The following values are recommended for cutting between labels and for variable length strip. In both cases, the start adjustment is calculated to allow the paper web be pulled back after cutting, so printing can start directly at the forward edge.

Labels:

Start adjust	- 294
Stop adjust	+ 180

Var. length strip:

Start adjust	- 294
Stop adjust	+ 250

Maintenance

Should you inadvertently have cut through self-adhesive web, you will have to clean the “knife”, which is a rotating shaft with an edge. Tilt down the cutter and use a piece of tissue moistened with isopropyl alcohol, or a similar solvent, to wipe clean the shaft.

CAUTION!

Turn off the power to the printer before cleaning.
Keep fingers away from cutting parts!