

Installation Instructions

*P/N 1-960345-02
Edition 2
September 1998*

EasyCoder 501/601 Dual Serial Interface Kit

 **ntermec**

A **UNOVA** Company

EasyCoder 501/601 – Installation Instructions

DUAL SERIAL INTERFACE KIT

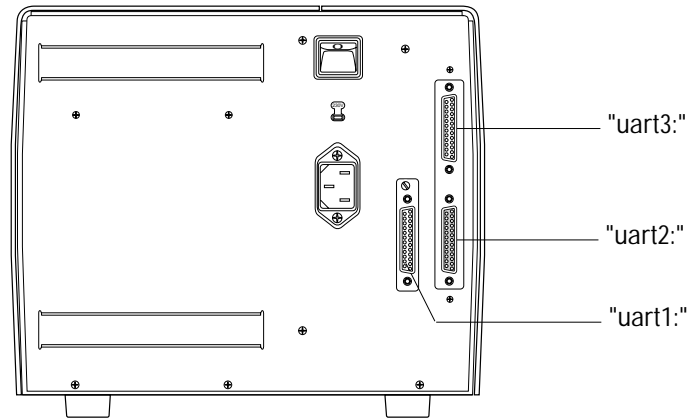
Introduction

Note:

Illustrations show an EasyCoder 501. The principles for fitting this optional equipment in an EasyCoder 601 are exactly the same.

The Serial Interface Board adds two serial communication ports ("uart2:" and "uart3:") to the standard serial communication port ("uart1:").

The printer's software detects when a Serial Interface Board is installed and adds communication and buffer setup options for the two additional communication ports.



When a Serial Interface Board is fitted, the following types of interfaces become available:

"uart1:"	<i>Fitted on printer's CPU board.</i>
RS 232C	<i>Standard.</i>
RS 422 or 20 mA CL	<i>Option. Additional circuits required.</i>
"uart2:"	<i>Fitted on Serial Interface Board.</i>
RS 232C	
"uart3:"	<i>Fitted on Serial Interface Board.</i>
RS 232C or 20 mA CL	<i>Selected by means of strap.</i>

The Dual Serial Interface Kit consists of:

- 1 Serial interface board assy.
- 2 Screws MRX-Z 3 × 6 FZB (not intended for *EasyCoder 501/601*)
- Installation Instructions

*EasyCoder 501/601
Dual Serial Interface Kit
Installation Instructions
Edition 2, September 1998
Part No. 1-960345-02*

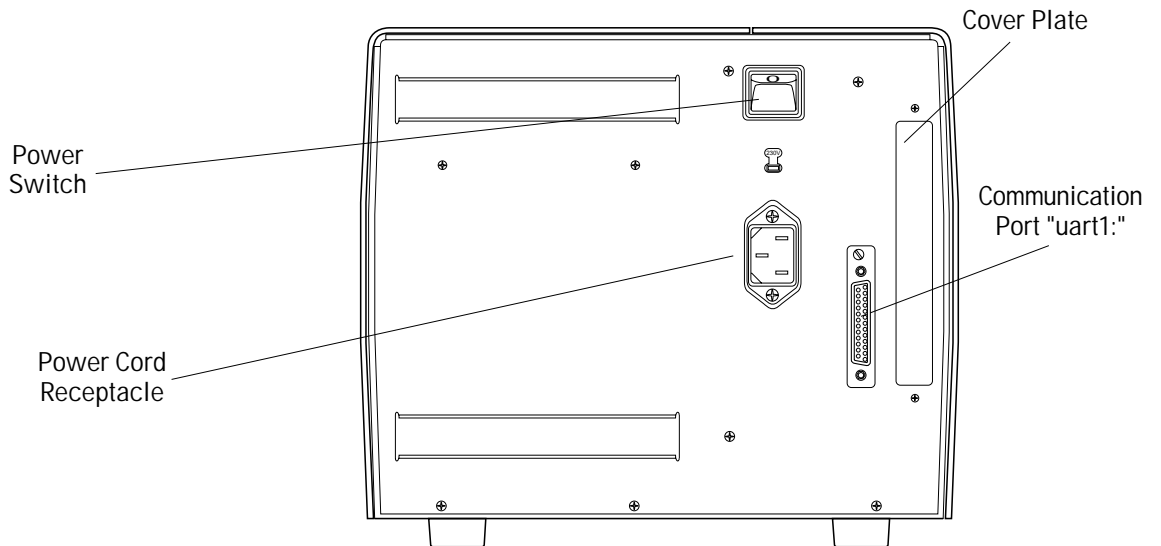
EasyCoder 501/601 – Installation Instructions

DUAL SERIAL INTERFACE KIT, cont'd.

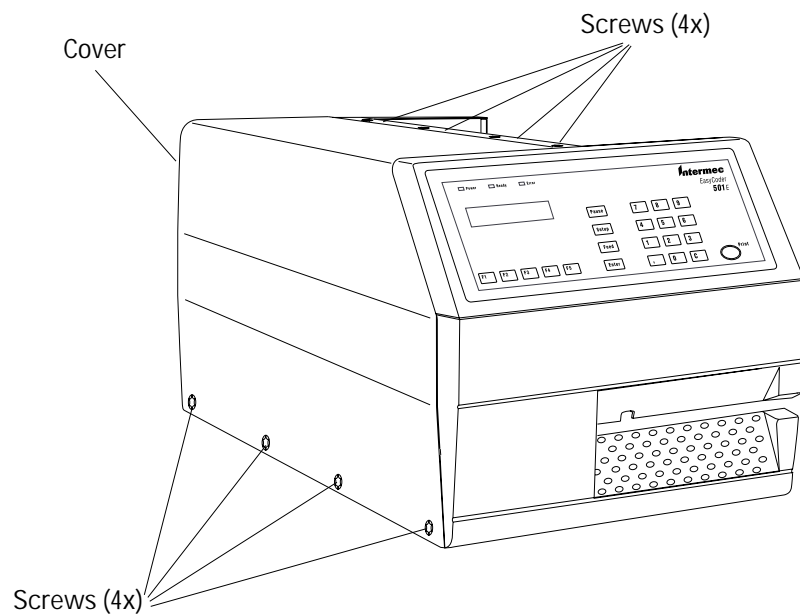
Step-by-Step Installation Instructions

The only tool required is a Torx #T10 screwdriver.

- ❑ Turn off the power and remove the power cord.
- ❑ Remove the communication cable from communication port "uart1:".



- ❑ Open the right-hand door.
- ❑ Remove the eight Torx screws that hold the cover over the left part of the printer (see illustration below).
- ❑ Remove the cover.

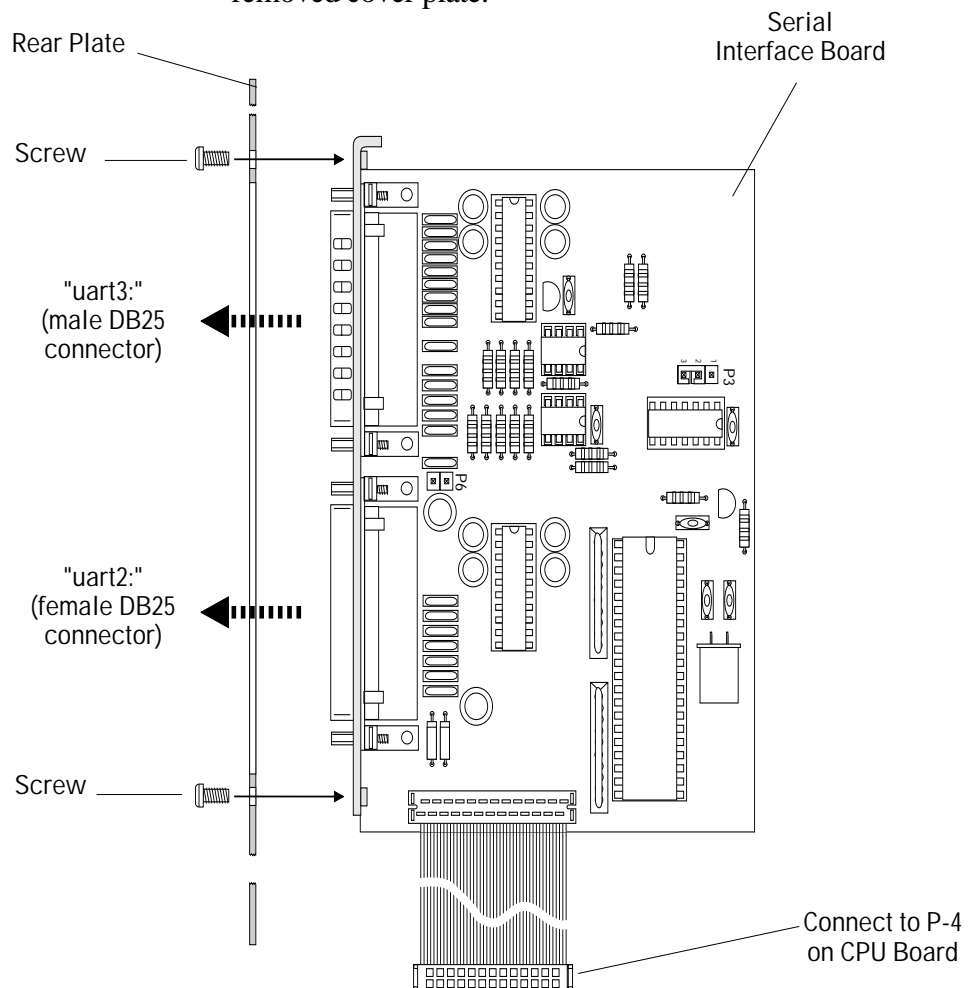


Continued!

DUAL SERIAL INTERFACE KIT, cont'd.

Step-by-Step Installation Instructions, cont'd.

- ❑ Remove the existing cover plate.
- ❑ Make sure that the CPU board is strapped and equipped for the desired type of communication on "uart1:" (see the *EasyCoder 501* or *EasyCoder 601* Technical Manual). Once the interface board has been fitted, it will be difficult to access the rear part of the CPU board.
- ❑ Fit the required straps on the Serial Interface Board as described on page 5.
- ❑ Connect the cable from the interface board to connector **P-4** at the bottom rear corner of the CPU board. Be careful so the interface board and the CPU board do not come in contact with each other, which possibly may cause damage or short-circuiting.
- ❑ Fit the interface board assembly to the printer's rear plate from the inside as illustrated below using the same screws that held the removed cover plate.



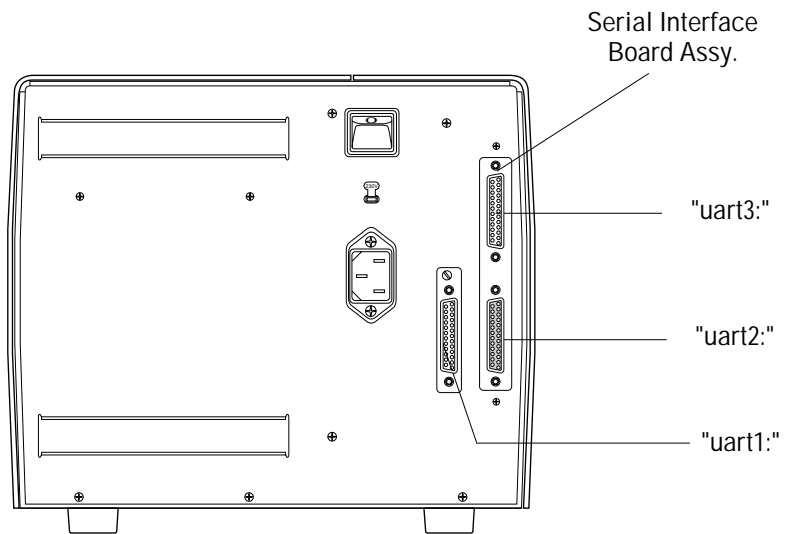
Continued!

EasyCoder 501/601 – Installation Instructions

DUAL SERIAL INTERFACE KIT, cont'd.

Step-by-Step Installation Instructions, cont'd.

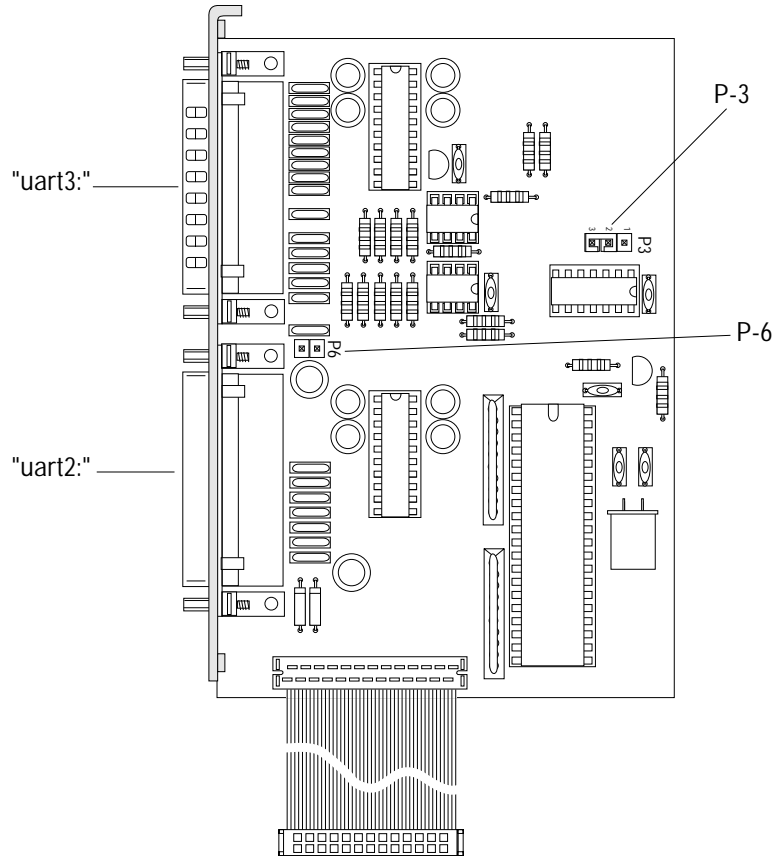
- ❑ Reassemble the printer in reverse order.
- ❑ Connect the communication cables to their respective connectors. Please refer to page 6 for pinout descriptions.
- ❑ Connect the power cord and turn on the power.



Continued!

DUAL SERIAL INTERFACE KIT, cont'd.

Straps



The following straps are used to set up the desired type of interface on the communication ports "uart2:" and "uart3:".

Communication Port "uart2:"

There are no straps for controlling the RS 232C interface on "uart2:".

Communication Port "uart3:"

RS 232C:

Strap fitted on **P-3** between pin 1 – 2 (right and middle pins) selects RS 232C.

20 mA Current Loop:

Strap fitted on **P-3** between pin 2 – 3 (middle and left pins) selects 20 mA current loop.

External +5V:

External +5V (max. 200 mA) can be made available on pin 16 by fitting a strap on **P-6**.

Be careful not to enable this option unintentionally, which may cause harm to the connected terminal, computer or other device.

EasyCoder 501/601 – Installation Instructions

DUAL SERIAL INTERFACE KIT, cont'd.

Connector Configuration

"uart2:" is a DB25 female connector.

"uart3:" is a DB25 male connector.

The mounting holes are connected to chassis ground.

Pin	"uart2:" DB25 female	"uart3:" DB25 male	Used for: "uart2:"	"uart3:"	Remarks
1	GNDC	GNDC	RS 232C	RS 232C	Cable shield
2	TXDA	TXDB	RS 232C	RS 232C	Transmitted data from printer
3	RXDA	RXDB	RS 232C	RS 232C	Received data to printer
4	RTSA	RTSB	RS 232C	RS 232C	RTS from printer
5	CTSA	CTSB	RS 232C	RS 232C	CTS to printer
6	DSRA	DSRB	RS 232C	RS 232C	DSR to printer
7	GNDI	GNDI	RS 232 C	RS 232C	Signal ground
8	-	-	-	-	not used
9	-	+20M1	-	Current loop	+ 20 mA
10	-	-20M1	-	Current loop	- 20 mA
11	-	+TXD	-	Current loop	TXD +
12	-	-TXD	-	Current loop	TXD -
13	-	+20M2	-	Current loop	+ 20 mA *
14	-	-20M2	-	Current loop	- 20 mA *
15	-	-	-	-	not used
16	-	+5VEXT	-	RS 232C/CL	+ 5V max 200 mA. (if strap fitted on P-6)
17	-	-	-	-	not used
18	-	+RXD	-	Current loop	RXD +
19	-	-	-	-	not used
20	DTRA	DTRB	RS 232C	RS 232C	DTR permanently high
21	-	-	-	-	not used
22	-	-	-	-	not used
23	-	-	-	-	not used
24	-	-	-	-	not used
25	-	-RXD	-	Current loop	RXD -

*/. In case of printer being active receiver.

Information in this manual is subject to change without prior notice and does not represent a commitment on the part of Intermec Printer AB.

© Copyright Intermec PTC AB, 1998. All rights reserved. Published in Sweden.

EasyCoder is a registered trademark of Intermec Technologies Corp.

Torx is a registered trademark of Camcar Division of Textron Inc.