

Installation Instructions

*P/N 1-960270-05
Edition 3
September 1998*

EasyCoder 201 II Memory Card Adapter Kit

 **ntermec**

A **UNOVA** Company

EasyCoder 201 II – Installation Instructions

MEMORY CARD ADAPTER KIT

General Information

This leaflet contains instructions on how to install a Memory Card Adapter in an *EasyCoder 201 II* or *EasyCoder 201 IIE* printer. (The adapter is fitted as standard in *EasyCoder 201 IISA*). This optional device could be purchased as a kit for field installation by an authorized technician. When such is the case, please follow the present instruction sheets for maximum safety and performance.

Before starting to modify your printer, check that the Memory Card Adapter Kit is complete. It should include the following parts:

- 1 Memory Card Expansion Board
- 1 Memory Card Holder
- 1 Connection Cable
- 1 Address Decoder GAL 20V8
- 3 Screws
- 3 Washers
- This instruction booklet

*EasyCoder 201 II
Memory Card Adapter Kit
Installation Instructions
Edition 3, September 1998
Part No. 1-960270-05*

Information in this manual is subject to change without prior notice and does not represent a commitment on the part of Intermec Printer AB.

© Copyright Intermec PTCAB, 1998. All rights reserved. Published in Sweden.

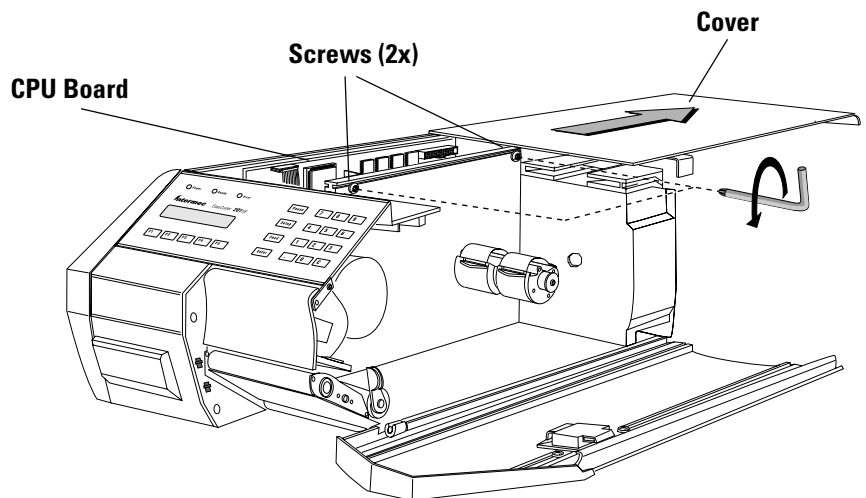
EasyCoder is a registered trademark of Intermec Technologies Corp.

EasyCoder 201 II – Installation Instructions

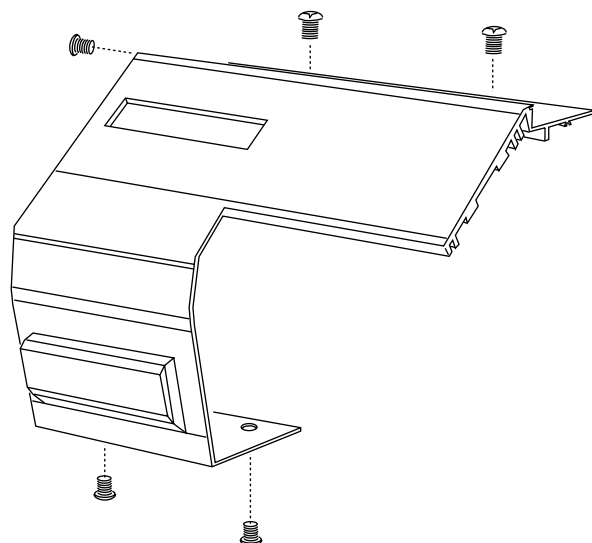
MEMORY CARD ADAPTER KIT, cont'd.

Step-by-Step Installation Instructions

- Turn off the power . For extra safety, pull the power cord out of the mains receptacle at the rear plate of the printer.
- Open the right-hand door.
- Loosen the two screws that hold the cover.
- Pull out the cover. The left-hand door can be swung open, and the logic part of the printer becomes accessible.



- Loosen the front plate by unscrewing the five screws indicated on the drawing below. Disconnect the display and keyboard cables from their connectors on the CPU board.



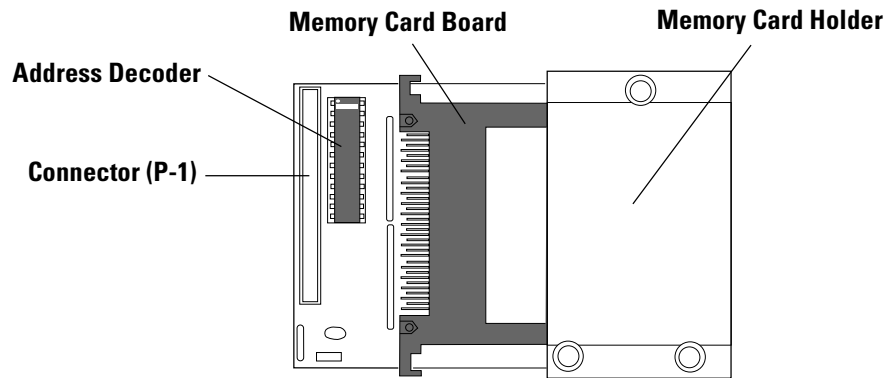
Continued!

EasyCoder 201 II – Installation Instructions

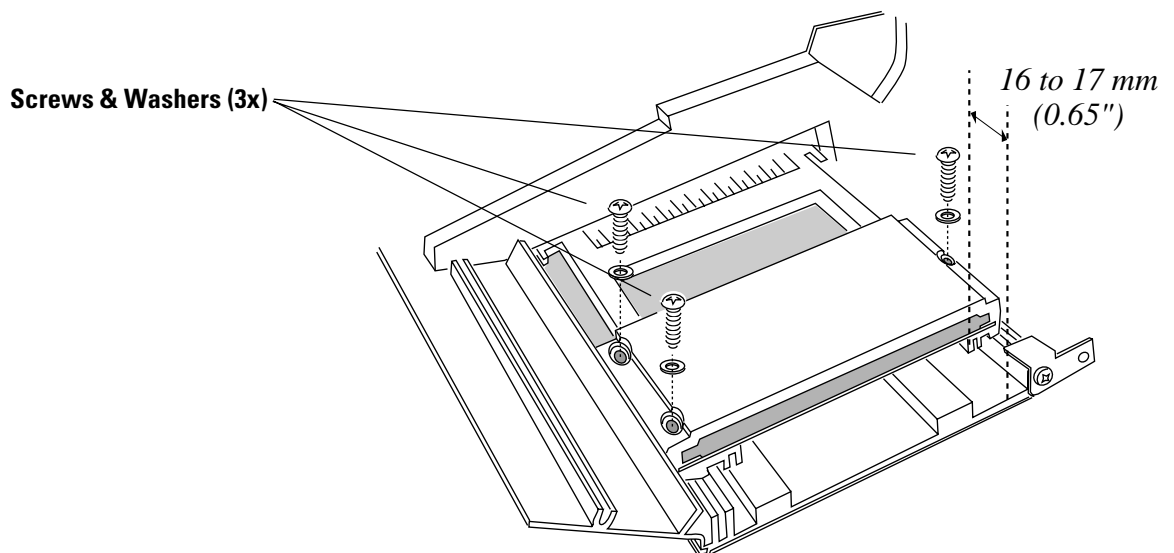
MEMORY CARD ADAPTER KIT, cont'd.

Step-by-Step Installation Instructions, cont'd.

- ❑ Fit the Address Decoder on the Memory Card Board.
- ❑ Insert the Memory Card Board into the Memory Card Holder.



- ❑ Place the front plate upside down on the table.
- ❑ Fasten the Memory Card Adapter assy. to the front plate by means of the three screws with washers. Position the adapter at appr. 16–17 mm (0.65") from the edge of the front plate, as illustrated below.
- ❑ Fit the 40-line Flat Cable to connector **P-1** of the Memory Card Adapter (see above).



Continued!

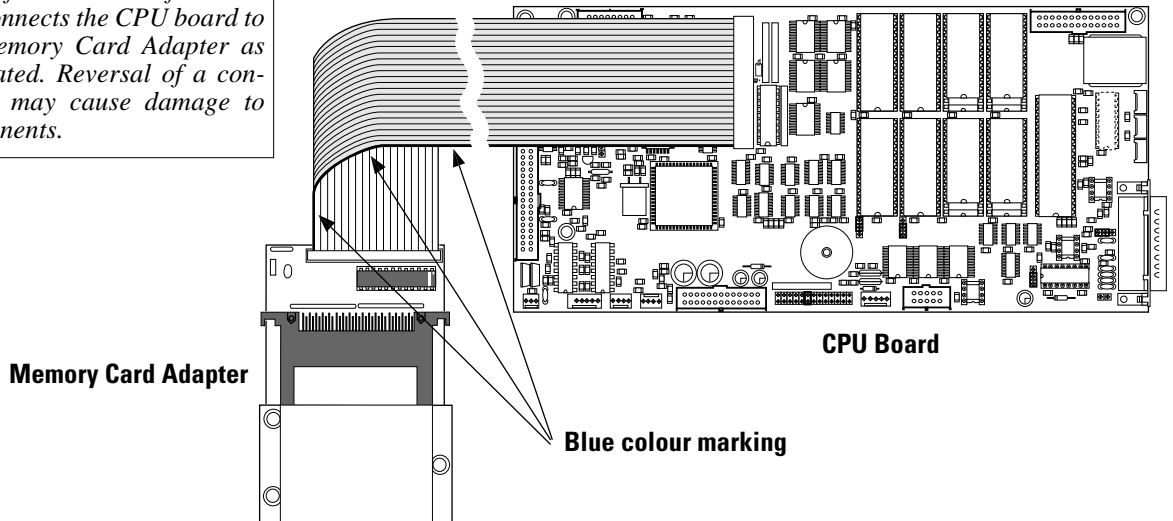
EasyCoder 201 II – Installation Instructions

MEMORY CARD ADAPTER KIT, cont'd.

Step-by-Step Installation Instructions, cont'd.

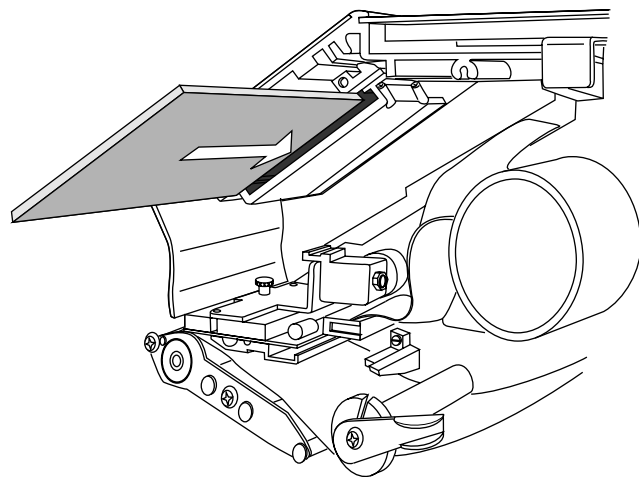
WARNING!

Be careful to mount the flat cable that connects the CPU board to the Memory Card Adapter as illustrated. Reversal of a connector may cause damage to components.



- ❑ Mount the front plate back on the printer.
- ❑ Connect the cable from the Memory Card Adapter to connector **P-2** on the CPU board. Fit exactly as illustrated and make sure that it cannot be damaged by moveable mechanical parts.

- ❑ Connect the display and keyboard cables.
- ❑ Close the left-hand door and the top cover in reverse order (see page 2).



IMPORTANT!

Always switch off the power before fitting or removing a memory card. The printer's firmware will not detect a memory card unless it is inserted during power-up.

- ❑ Check that a memory card can easily be inserted and pulled out from the adapter.
- ❑ Check that the right-hand door is not obstructed by the memory card.
- ❑ Close the right-hand door, and insert the mains cable. Switch on power. The printer is now ready for use.