

Installation Instructions

*P/N 1-960255-04
Edition 3
September 1998*

EasyCoder 201 II Label-Taken Sensor Kit

 **ntermec**

A **UNOVA** Company

EasyCoder 201 II – Installation Instructions

LABEL-TAKEN SENSOR KIT

General Information

This booklet contains instructions on how to install the Label-Taken Sensor Kit (LTS) on an *EasyCoder 201 II* printer. Installation should preferably be performed by an authorized service technician.

For instructions on how to use the label-taken sensor, please refer to the *EasyCoder 201 II* Technical Manual.

The Label-Taken Sensor kit consists of:

- 1 Reflecting Sensor assy. with bracket and cable
- 1 Screw
- This Installation Instructions booklet.

Preparation Before Installation

The status of the LTS has to be polled in the *Intermec Fingerprint* program by means of the PRSTAT function, as otherwise the printer will not react on the LTS signal.

- Make a simple program that checks the printer's status, e.g.:

```
10 BREAK 1,88
20 BREAK 1 ON
30 FORMFEED
40 IF (PRSTAT AND 2) THEN BEEP
50 GOTO 40
60 END
RUN
```

You can break this program by transmitting the character **X** (ASCII 88) decimal on the standard serial interface "uart1".

*EasyCoder 201 II
Label-Taken Sensor Kit
Installation Instructions
Edition 3, September 1998
Part No. 1-960255-04*

Information in this manual is subject to change without prior notice and does not represent a commitment on the part of Intermec Printer AB.

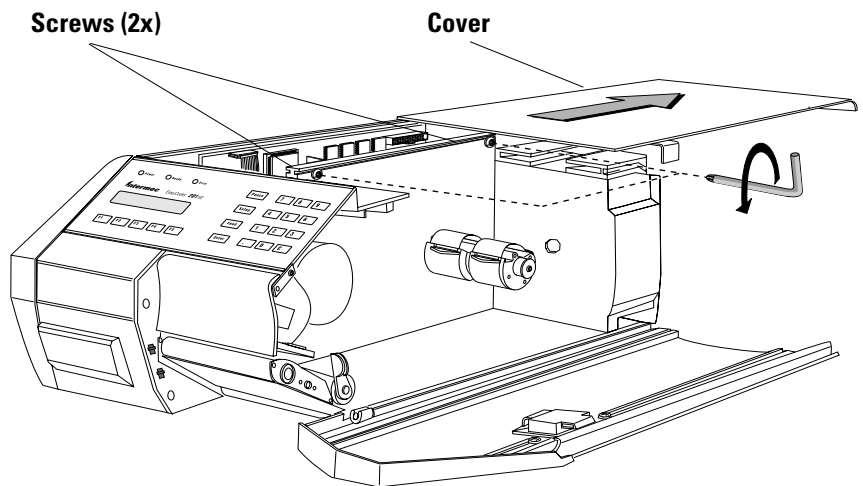
*© Copyright Intermec PTCAB, 1998. All rights reserved. Published in Sweden.
EasyCoder and Fingerprint are registered trademarks of Intermec Technologies Corp.*

EasyCoder 201 II – Installation Instructions

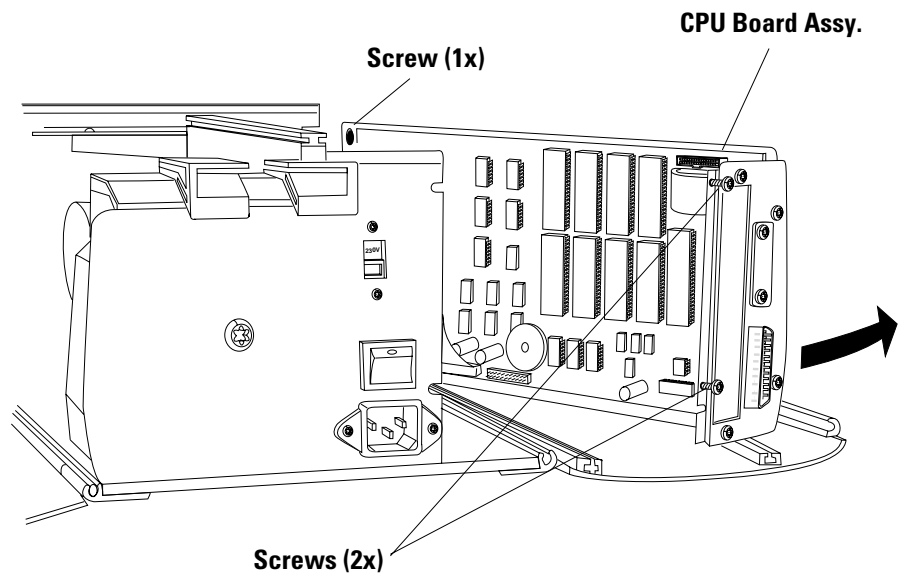
LABEL-TAKEN SENSOR KIT, cont'd.

Step-by-Step Installation Instructions

- Turn off the power and remove the power cord.
- Disconnect all communication cables.
- Open the right-hand door.
- Loosen the two screws that lock the cover.
- Pull the cover straight back and remove it completely.



- Open the left-hand door.
- Loosen the three screws that hold the CPU board assy. and swing the unit outwards as illustrated.



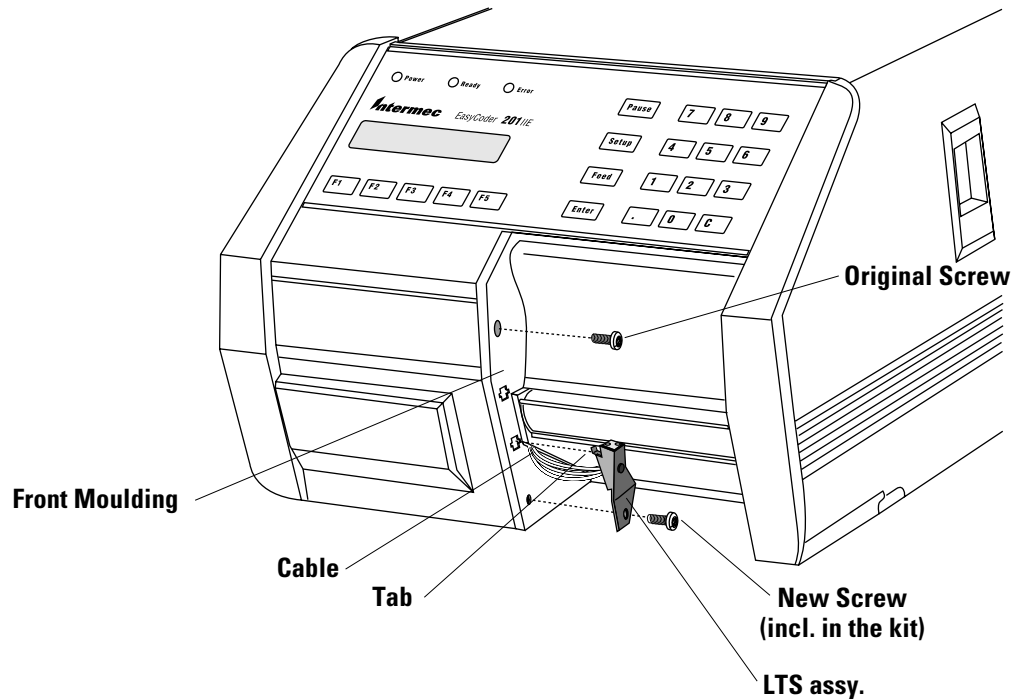
Continued!

EasyCoder 201 II – Installation Instructions

LABEL-TAKEN SENSOR KIT, cont'd.

Step-by-Step Installation Instructions, cont'd.

- ❑ Remove the two screws that hold the front moulding.



- ❑ Carefully manipulate the moulding so you can slip the cable of the label-taken sensor through the gap between the moulding and the centre-line wall of the printer.
- ❑ Thread the cable back to the electronics compartment and connect it to **P-8** on the CPU board, see next page. Be careful so the cable will not interfere with the pulley of the print roller or with the printhead lift mechanism.
- ❑ Using the screw included in the kit, fit the sensor and the front moulding as illustrated. The tab at the top of the sensor bracket should be fitted into the lower of the two cross-shaped holes in the front moulding.
- ❑ Put back the original (upper) screw holding the front moulding.

Continued!

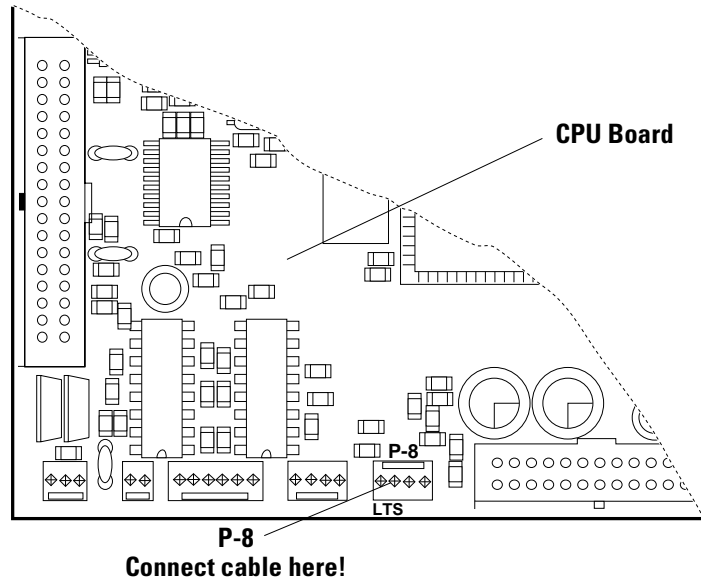
EasyCoder 201 II – Installation Instructions

LABEL-TAKEN SENSOR KIT, cont'd.

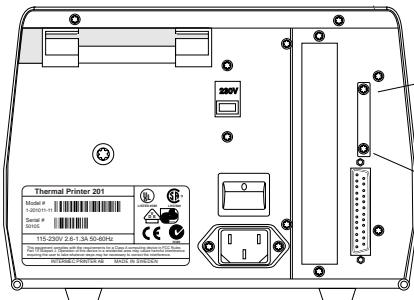
Step-by-Step Installation Instructions, cont'd.

WARNING!
To avoid the risk of short-circuits, use non-conductive tools only, even when the power is off, since the memory packages are battery backed-up.

- ❑ Fit the cable from the label-taken sensor to connector **P-8** at the lower, front part of the CPU board.



- ❑ Close the doors and cover in reverse order, refit the communication cables and the power cord, and turn on the power.
- ❑ Adjust the sensitivity of the label-taken sensor by means of the uppermost potentiometer on the printer's rear plate:



The potentiometer is situated inside the cover plate on the printer's rear plate.

^{1/} If adjustment by means of the potentiometer is proves insufficient, a strap on **P-14** on the CPU board can be fitted or removed to change the sensitivity of the LTS light-emitting diode:

Strap fitted: Higher intensity
No strap: Low intensity

- Start up *Fingerprint* and run the program described on page 1. Leave a label in the outfeed slot as to create a label-not-taken condition.
- The printer should start to beep continuously. If not, turn the potentiometer back and forth until the beeping starts.
- Adjust the potentiometer so the beeping does not stop when the potentiometer is turned a quarter of a turn in either direction.
- Remove the label. The beeping should cease immediately. If necessary, readjust the potentiometer¹.
- Break the program by typing **X** on the host.