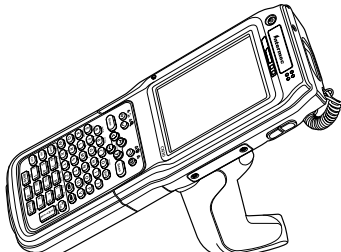


Scan Handle Instructions

If your CN30 has a handstrap or beltclip, you need to remove it before you install the scan handle. For help, see the instructions that shipped with your handheld's handstrap.



Shown with
14-Key Module



Shown with
56-Key Module

Scan Handle Instructions



P/N 943-037-001

Intermec

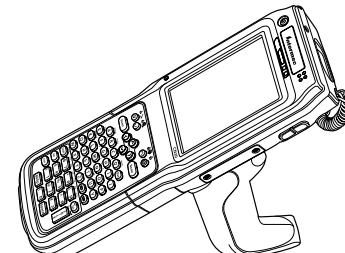
Corporate Headquarters
6001 36th Avenue West
Everett, Washington 98203 U.S.A.
tel 425.348.2600
www.intermec.com
© 2005 Intermec Technologies Corporation. All rights reserved.

Scan Handle Instructions

If your CN30 has a handstrap or beltclip, you need to remove it before you install the scan handle. For help, see the instructions that shipped with your handheld's handstrap.



Shown with
14-Key Module



Shown with
56-Key Module

Scan Handle Instructions



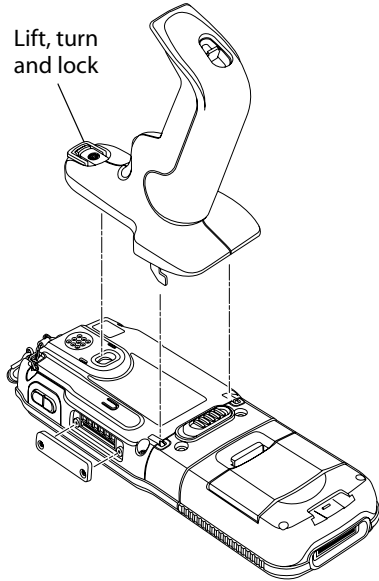
P/N 943-037-001

Intermec

Corporate Headquarters
6001 36th Avenue West
Everett, Washington 98203 U.S.A.
tel 425.348.2600
www.intermec.com
© 2005 Intermec Technologies Corporation. All rights reserved.



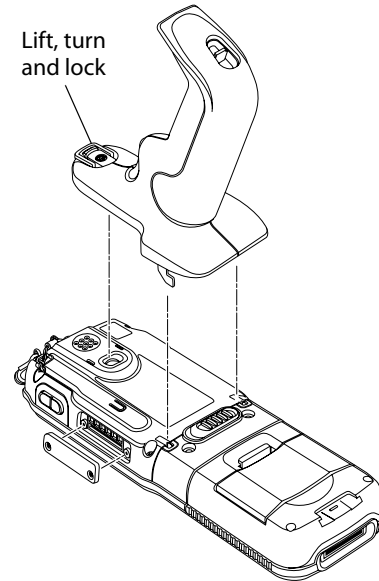
Scan Handle Instructions



Attach the scan handle to the back of the CN30. Tighten the holder by turning the locking latch a quarter turn clockwise.



Scan Handle Instructions



Attach the scan handle to the back of the CN30. Tighten the holder by turning the locking latch a quarter turn clockwise.