

PM23c

Batch Plate Instructions

Anweisungen für Chargenträger

Instrucciones para la placa de lotes

Instructions relatives aux plaques d'imprimerie en vrac

Instruksi Pelat Batch

Istruzioni per l'installazione del cilindro di riavvolgimento rullo

배치 플레이트 안내서

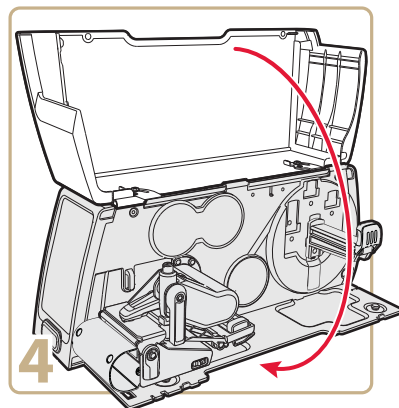
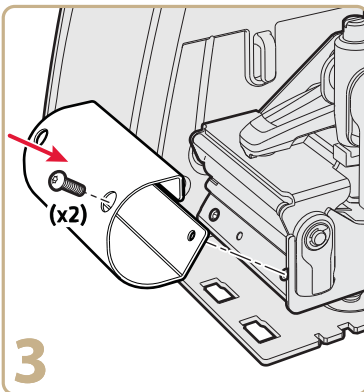
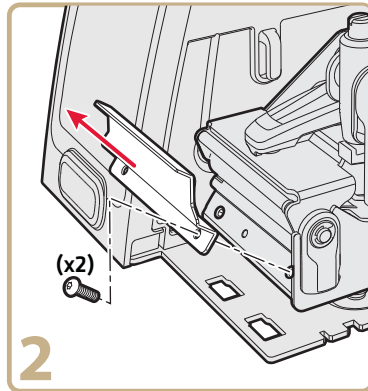
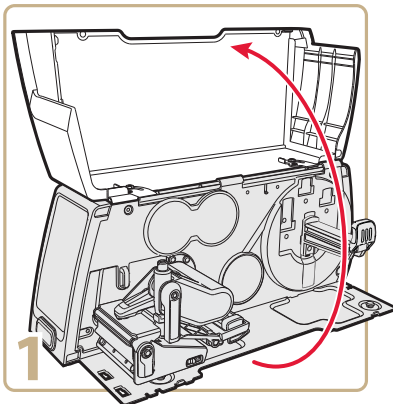
Instruções de placa de lote

Инструкции к панели для обработки партий

Yığın Plaka Yönergeleri

批量作业板说明

批量作業板說明





Worldwide Headquarters
6001 36th Avenue West
Everett, Washington 98203
U.S.A.

tel 425.348.2600

fax 425.355.9551

www.intermec.com

© 2013 Intermec Technologies
Corporation. All rights reserved.



PM23c Batch Plate Instructions



P/N 943-381-001