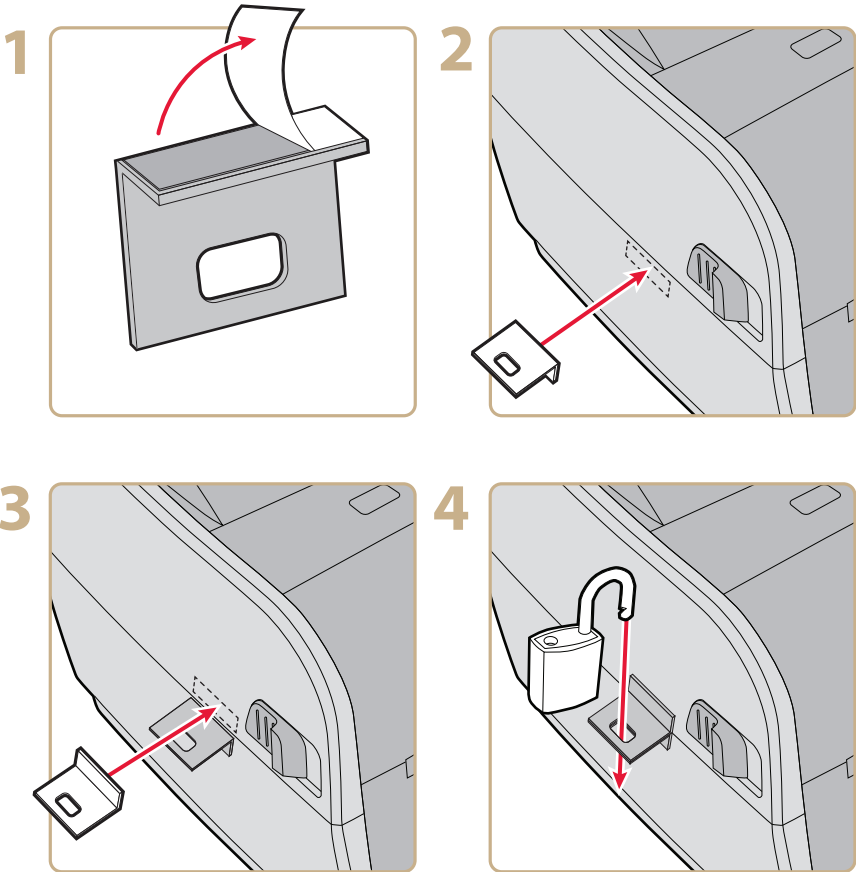


# PC23d | PC43d | PC43t

## Media Cover Lock Bracket Instructions

Clean the printer surface before you install the bracket on the printer. After you install the bracket, wait 24 hours before you install a lock (not supplied).





Worldwide Headquarters  
6001 36th Avenue West  
Everett, Washington 98203  
U.S.A.

tel 425.348.2600

fax 425.355.9551

[www.intermec.com](http://www.intermec.com)

© 2011 Intermec Technologies  
Corporation. All rights reserved.



## PC23d, PC43d, and PC43t Media Cover Lock Bracket Instructions



P/N 943-346-001