

Vehicle Dock

Service Loop Kit Instructions

Use the Intermec Service Loop Kit to create a service loop in a vehicle dock adapter cable. This kit is compatible with most Intermec vehicle docks and prevents over-flexing at the bend of the cable.

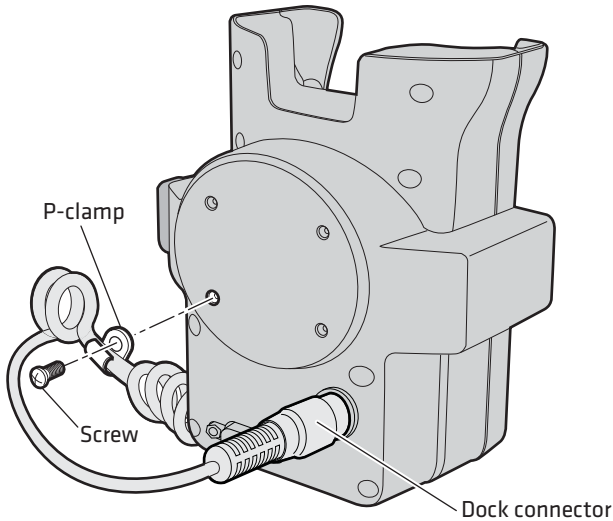
You will find these items in the shipping container:

- 10 plastic cable clamp (p-clamp)
- 10 screws (8-32 x 1/2)
- 10 tie wraps (5.75-inch)
- 20 tie wraps (8-inch)

There are two different installation methods using either a screw or tie wraps.

To install the service loop kit using a screw

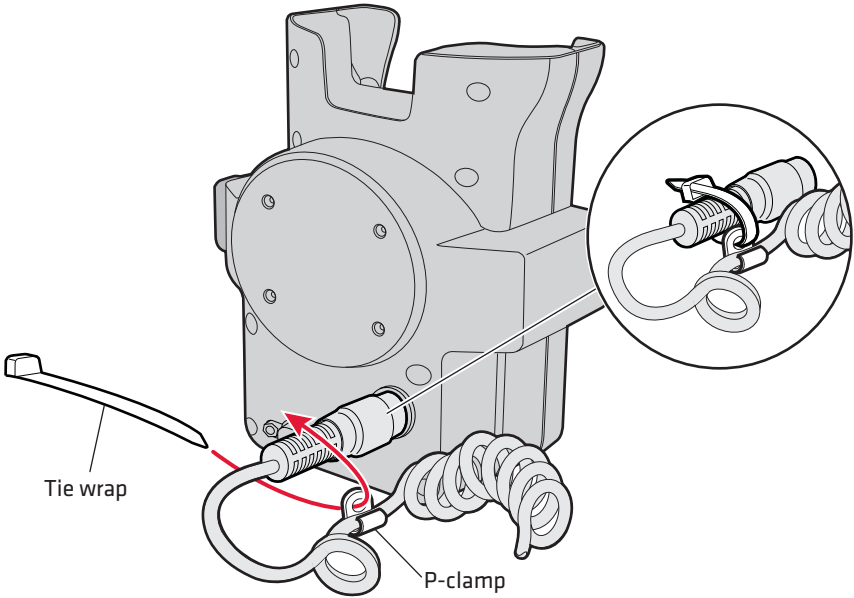
- 1 Hook the p-clamp to the dock cable, with two or three coils of the cable on the dock connector side of the p-clamp.
- 2 Use the screw to secure the p-clamp to the vehicle dock.



Note: If your vehicle dock mounting hardware interferes with installation, you can use two 8-inch tie wraps to extend the service loop around your mounting hardware.

To install the service loop using tie wraps

- 1 Hook the p-clamp to the dock cable, with two or three coils of the cable on the dock connector side of the p-clamp.
- 2 Loop the 5.75-inch tie wrap around the dock connector through the p-clamp to secure the p-clamp to the dock connector.



Note: Applying the service loop to cables that have been installed for a long period of time may not provide adequate flexibility if the cable is already worn or damaged. In those cases, the cable should be replaced when the service loop is applied.



Worldwide Headquarters
6001 36th Avenue West
Everett, Washington 98203
U.S.A.

tel 425.348.2600

fax 425.355.9551

www.intermec.com

© 2010 Intermec Technologies Corporation. All rights reserved.



Vehicle Dock Service Loop Kit Instructions



P/N 943-255-001