

Printer Cart Dock Instructions



Use the cart dock to easily attach your PB21, PB22, PB31, or PB32 printer to a movable cart. You can also use the cart dock to set the printer on a flat surface. The cart dock kit contains these parts:

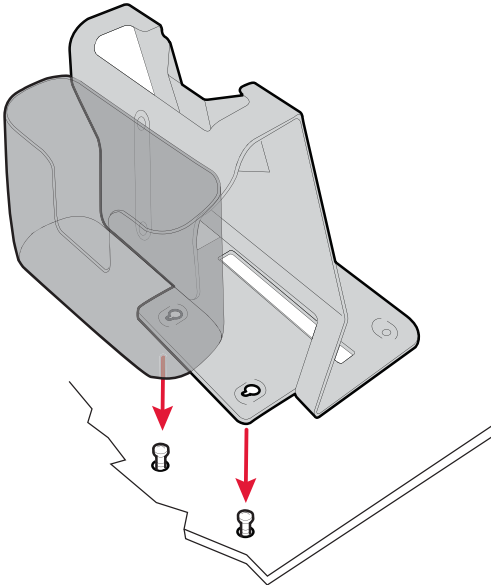
- Cart dock accessory
- This instruction sheet



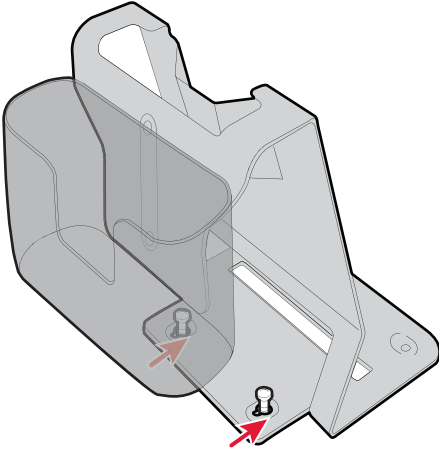
Note: The type of screws you use will depend on the mounting surface used for the cart dock. Some mounting surfaces are best suited for self-tapping screws, while other surfaces may use machine screws or bolts.

To install the cart dock on a cart

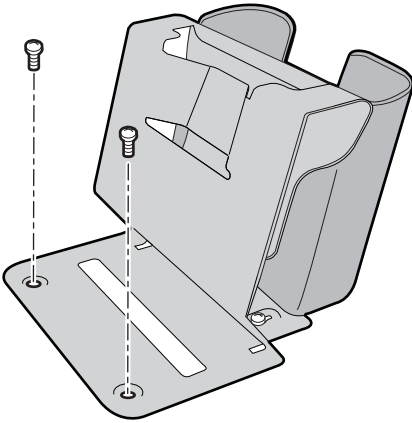
- 1 Using the cart dock as a template, mark the position of the drill holes on your mounting surface.
- 2 Insert two screws into the adjustable drill holes until there is approximately 0.63 cm (0.25 inch) of the screw remaining above the surface.
- 3 Place the cart dock over the two screws.



- 4 Slide the cart dock to the desired position and then tighten the screws until the cart dock is held firmly in place.



- 5 Insert the remaining two screws in the other holes and tighten. Your cart dock is now ready to use.



Printer Cart Dock Instructions



P/N 943-219-001

Intermec

Worldwide Headquarters
6001 36th Avenue West
Everett, Washington 98203
U.S.A.

tel 425.348.2600

fax 425.355.9551

www.intermec.com

© 2009 Intermec Technologies Corporation. All rights reserved.