

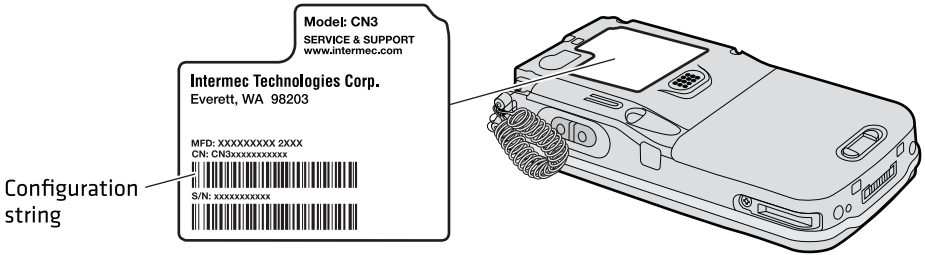
These instructions demonstrate how to upgrade your CN3/CN3e Mobile Computer to Windows® Mobile 6.1. You must download and install the upgrade files, update the SmartSystems™ Platform Bundle (SSPB), and apply new labels to your mobile computer. To upgrade your computer, you need:

- A PC with 128 MB or more of RAM.
- The Windows Mobile 6.1 Upgrade Kit (P/N 238-055-001) which contains:
 - a proof of purchase.
 - a Microsoft Certificate of Authenticity (COA) label.
 - a set of Intermec Service Notification labels.
 - these instructions.
- If you upgrade using SmartSystems Foundation, you must install SmartSystems Foundation to your PC.
- If you upgrade using the miniSD card, you need:
 - a small Phillips screwdriver.
 - a miniSD card with 128 MB of space.
 - an SD card reader and a miniSD card adapter.

Downloading the Upgrade Files

- 1 Go to the Intermec web site at www.intermec.com and click **Support > Downloads**.
- 2 Use the **Product Category** field, the **Product Family** field, and the **Product** field to help you locate the software you want to download.
- 3 Click the **CN3 WM 6.1 Classic (Premium) English OS Bundle** or the **CN3 WM 6.1 Professional (GPRS) English OS Bundle**. The downloads login page appears.
- 4 If you are a returning customer, fill in the **Email Address** and **Password** fields, and click **Login**. Or, click the create a new account link, complete the registration form, and click **Register**. In the **Configuration Number** field, enter the appropriate number:
 - If you purchased a Windows Mobile 6.1 Upgrade Kit (P/N 238-055-xxx or P/N 238-556-xxx), enter the **Confirmation Code** (CN3uPG-61-5656A).

- If you are updating to the most current version of Windows Mobile 6.1, enter the configuration string on your mobile computer as shown below.



- 5 Click **Next** and follow the steps for downloading the upgrade file.
- 6 Extract the compressed files onto your PC.

Installing Windows Mobile OS

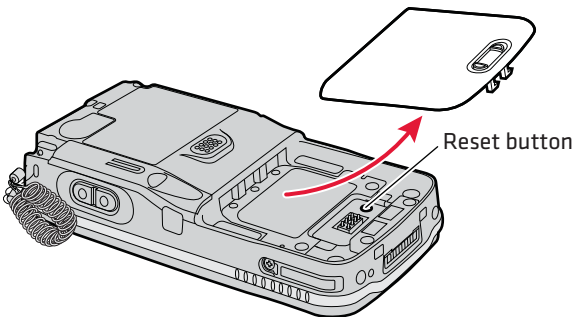
You may either install Window Mobile 6.1 using the SmartSystems Foundation or a miniSD card.

To install the Windows Mobile 6.1 software using SmartSystems Foundation

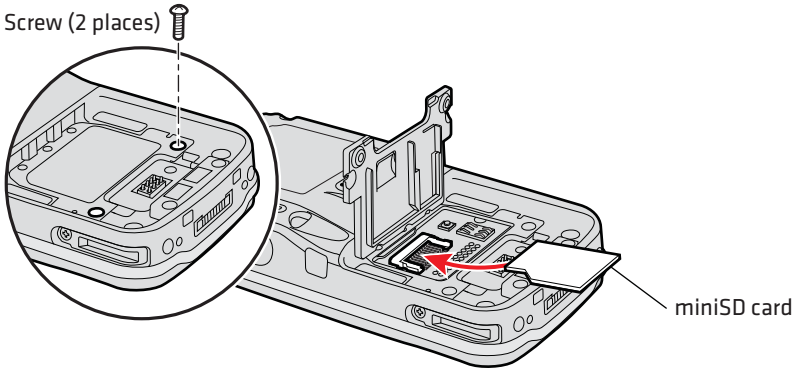
- See the *CN3 Series Mobile Computer User's Manual* (P/N 935-003-xxx). The manual is available as a downloadable file at www.intermec.com.

To Install the Windows Mobile 6.1 software using a miniSD card

- 1 Insert the miniSD adapter card with the mini SD card into the SD card reader connected to your PC.
- 2 Copy all required OS upgrade files from the PC to the miniSD card.
- 3 Press the release tab to the left until the battery releases.



- 4 Remove the two screws from the back of the back of the mobile computer.



- 5 Remove the miniSD card from the adapter card and insert it into the CN3.
- 6 Replace the two screws you just removed.
- 7 Using a stylus, press the **Reset** button located in the battery cavity on the back of the CN3.
- 8 Insert the battery back into the CN3/CN3e.
- 9 When the Today screen appears, the files are done loading.
- 10 Tap **Start > Internet Explorer > Intermec** to verify that the OS version is the one you just downloaded from the Intermec web site.

Upgrading the SmartSystems Platform Bundle (SSPB)

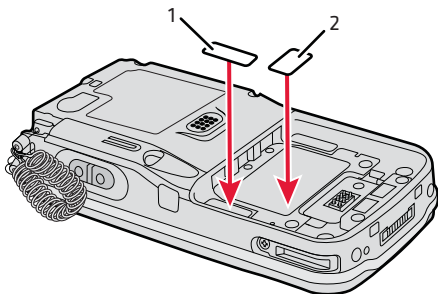
Upgrade the SSPB files after installing the OS. You may either upgrade using a the SmartSystems Foundation or a miniSD card.

- 1 If you are upgrading using a miniSD card:
 - a From www.intermec.com, download the latest SSPB files from to your PC.
 - b Copy the SSPB files from your PC to your miniSD card.
 - c Insert the miniSD card in your mobile computer. For help, see “[Installing Windows Mobile OS.](#)”
 - d When the the files are done loading, tap **Start > Internet Explorer > Intermec** to verify that the OS version is the one you just downloaded from the Intermec web site.
- 2 If you are upgrading using a network, establish a connection to your PC using 802.11, Bluetooth, or Ethernet. For help, see the *CN3 Series Mobile Computer User’s Manual* (P/N 935-003-xxx).
- 3 Install SmartSystems Foundation on your PC. Go to www.intermec.com/SmartSystems, and click **Downloads**.

- 4 If you are returning user, enter your e-mail address and password, otherwise, create a new account.
- 5 On the SmartSystems Foundation Downloads page, download the latest SSPB build and extract the files to your PC.
- 6 Double-click the **SmartSystems** icon on the taskbar to start the SmartSystems Console.
- 7 Click the **Discover** icon. Your CN3 appears in the Computers pane.
- 8 Click and drag the SSPB bundle from the **Software Vault** folder to the **CN3** icon in the Computers pane. Release the SSPB bundle on the **CN3** icon.
- 9 Click the **Yes** button when the SmartSystems message appears. The CN3/CN3e will reboot automatically.
- 10 On your CN3/CN3e, tap **Start** > **Internet Explorer** > **Intermec** to verify that the SSPB version is the one you just downloaded from the Intermec web site.

Applying New Labels to Your Computer

- 1 Press the battery release tab to the left until the battery releases.
- 2 Remove and discard the Service Notification (1) and COA (2) labels shown in Step 3.
- 3 Place the new upgrade Service Notification label (1) and COA (2) label in the battery compartment. Do not apply a label over any metal contacts in the battery compartment.



Intermec

Worldwide Headquarters
6001 36th Avenue West
Everett, Washington 98203
U.S.A.

tel 425.348.2600
fax 425.355.9551
www.intermec.com

© 2009 Intermec Technologies
Corporation. All rights reserved.

CN3 & CN3e Windows Mobile 6.1 Upgrade Instructions



P/N 943-200-002