

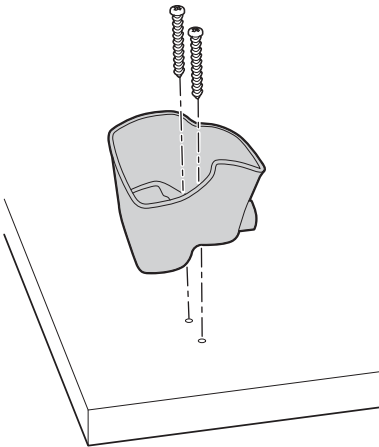
SR61T

Desktop Stand Instructions

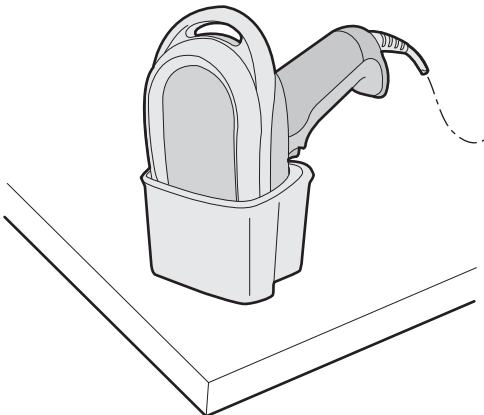
The SR61T desktop stand (P/N 203-878-xxx) provides you with a convenient way to store the SR61T Handheld Scanner when you are not using it. The desktop stand ships with the hardware necessary to install it.

To install and use the desktop stand

- 1 (Optional) Attach the cup to a surface with the two screws that ship with the stand.



- 2 Insert the SR61T into the desktop stand.



SR61T Desktop Stand Instructions



P/N 943-195-001



Worldwide Headquarters
6001 36th Avenue West
Everett, Washington 98203
U.S.A.

tel 425.348.2600

fax 425.355.9551

www.intermec.com

© 2008 Intermec Technologies
Corporation. All rights reserved.