

# CK<sub>3</sub> Series

## Scan Handle Instructions

Anleitung für Scan-Griff

Instrucciones del mango de escaneado

Instructions pour le manche de lecture

Istruzioni per l'uso dell'impugnatura di scansione

スキャンハンドルの取り扱い方

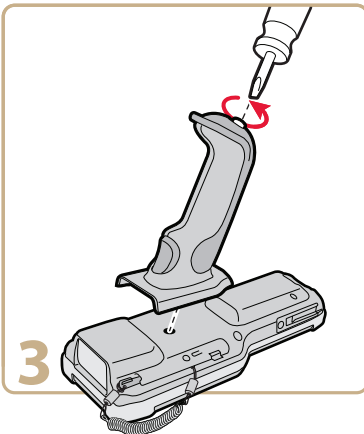
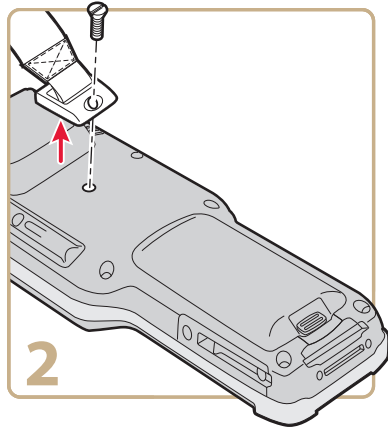
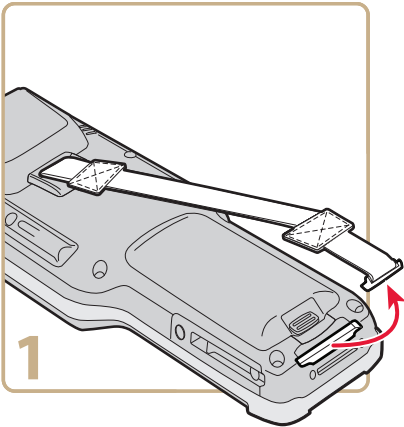
스캔 핸들 지침

Instruções de uso da alça de leitura

Инструкции к ручке сканера

扫描手柄说明

掃描握把說明





Worldwide Headquarters  
6001 36th Avenue West  
Everett, Washington 98203  
U.S.A.

tel 425.348.2600

fax 425.355.9551

[www.intermec.com](http://www.intermec.com)

© 2012 Intermec Technologies  
Corporation. All rights reserved.



## CK3 Series Scan Handle Instructions



P/N 943-177-002