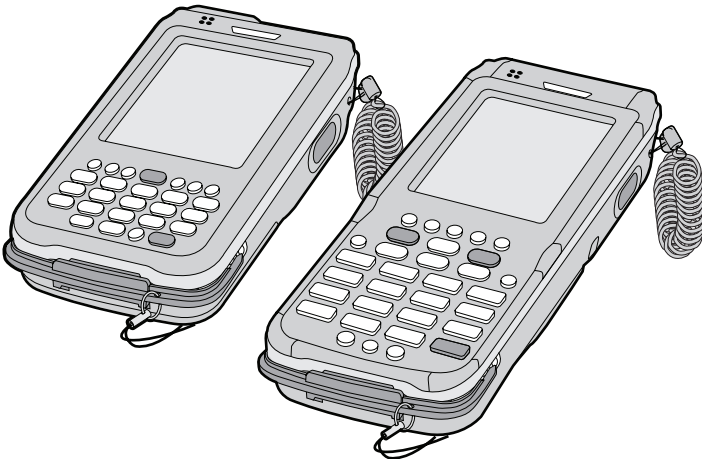


**Dust Clip Instructions**

Use these instructions to attach the dust clip to both the CN3 and CN3e mobile computers. The dust clip seals out dust and airborne particles from the CN3NI in Division 2 Class II and III environments.

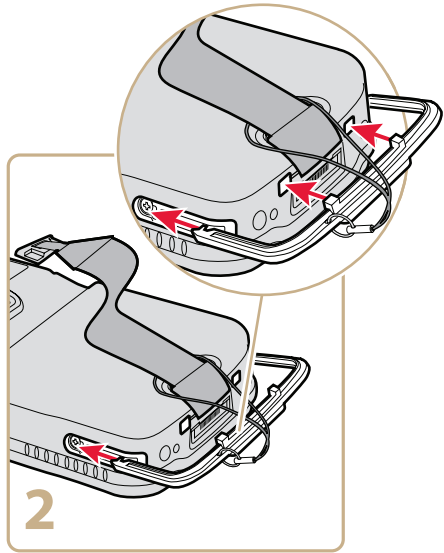
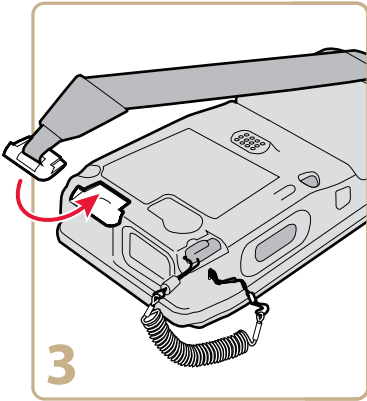
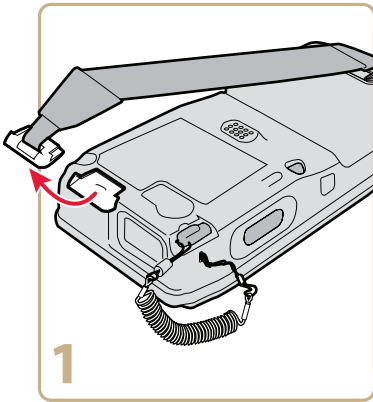


**CN3NI Computers:** This illustration shows the CN3 Series Mobile Computers with the dust clip properly installed.



Caution

**Make sure the dust clip completely covers the docking connector on the CN3 or CN3e and that it snaps into place.**



### CN3NI Dust Clip Instructions



P/N 943-167-001

**Intermec**

**Worldwide Headquarters**  
6001 36th Avenue West  
Everett, Washington 98203  
U.S.A.

**tel** 425.348.2600

**fax** 425.355.9551

[www.intermec.com](http://www.intermec.com)

© 2008 Intermec Technologies Corporation. All rights reserved.