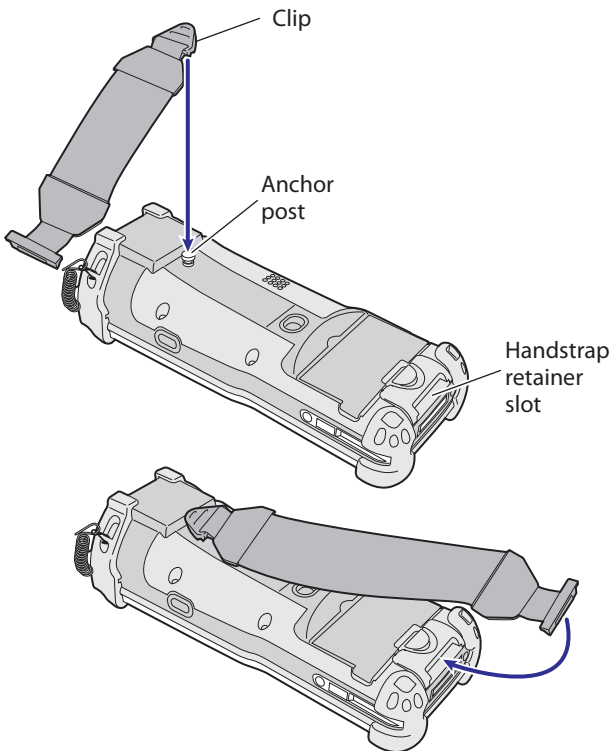


The CK61ex Handstrap provides you with a convenient way to hold the CK61ex Handheld Computer. To use the handstrap, simply place your hand under the elastic band and grasp the computer.

To install the handstrap

- 1 Slide the clip onto the anchor post to attach the handstrap.
- 2 Stretch the handstrap and insert the handstrap retainer into the retainer slot.



Installing the Handstrap



Worldwide Headquarters

6001 36th Avenue West
Everett, Washington 98203
U.S.A.

tel 425.348.2600

fax 425.355.9551

www.intermec.com

© 2007 Intermec Technologies
Corporation. All rights reserved.

CK61ex Handstrap Instructions



P/N 943-154-001