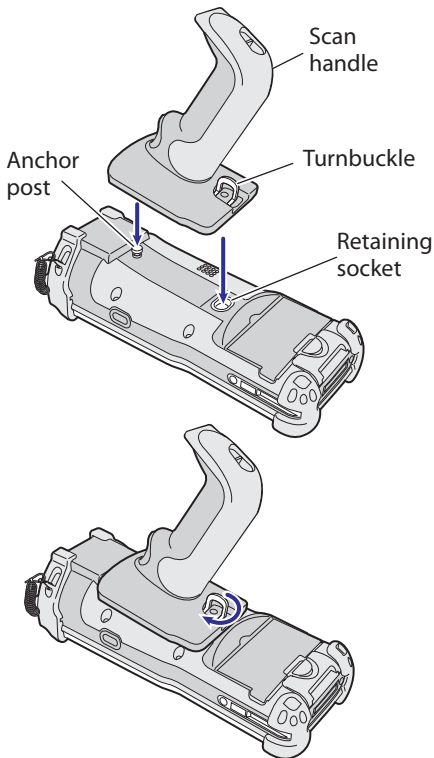


The Intermec CK61ex Handheld Computer Scan Handle is designed for better ergonomics for higher-volume scanning applications. The scan handle provides a trigger to activate reading the bar code.

To install the scan handle

- 1 Slide the scan handle onto the anchor post.
- 2 Twist the turnbuckle clockwise a quarter turn and press the turnbuckle down to secure it into place.



Installing the Scan Handle



Worldwide Headquarters
6001 36th Avenue West
Everett, Washington 98203
U.S.A.

tel 425.348.2600

fax 425.355.9551

www.intermec.com

© 2007 Intermec Technologies
Corporation. All rights reserved.

CK61ex Scan Handle Instructions



P/N 943-153-001