

Standard Scan Handle Instructions

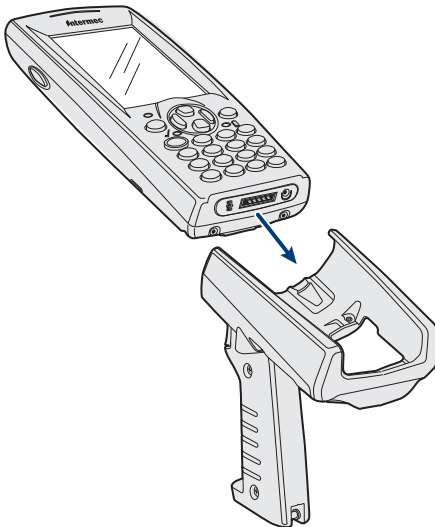
Use these instructions to attach the standard scan handle to your 700 Color.

Standard Scan Handle Kit Contents

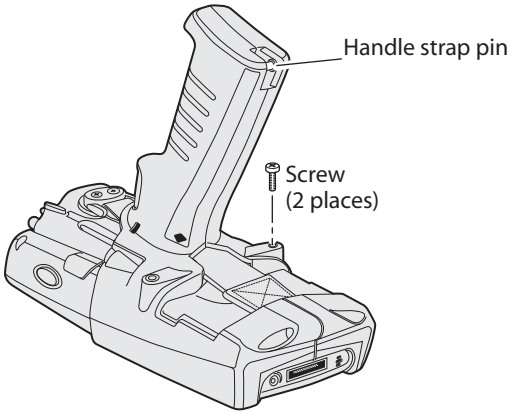
Description	Quantity
Dockable scan handle	1
Retaining screws	2
<i>700 Series Color Mobile Computer Standard Scan Handle Installation Instructions</i>	1

To attach the standard scan handle

- 1 Remove the handstrap from the 700 Color.
- 2 Insert the 700 Color into the standard scan handle by sliding the computer onto the scan handle bracket.



- 3 Secure the standard scan handle by turning it over, and screwing in the two retaining screws provided.



- 4 (Optional) If you have a handle strap, you can secure it to the handle strap pin located on the end of the standard scan handle.



Worldwide Headquarters
6001 36th Avenue West
Everett, Washington 98203
U.S.A.

tel 425.348.2600

fax 425.355.9551

www.intermec.com

© 2007 Intermec Technologies
Corporation. All rights reserved.

700 Color Standard Scan Handle Installation Instructions



P/N 943-149-001