

Dockable Scan Handle Installation Instructions

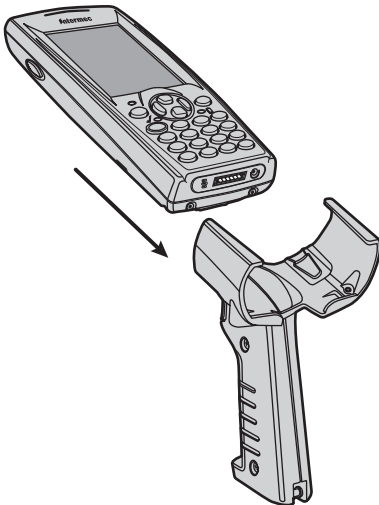
Use these instructions to attach the dockable scan handle to your 700 Color. The dockable scan handle kit contains the following items:

Dockable Scan Handle Kit Contents

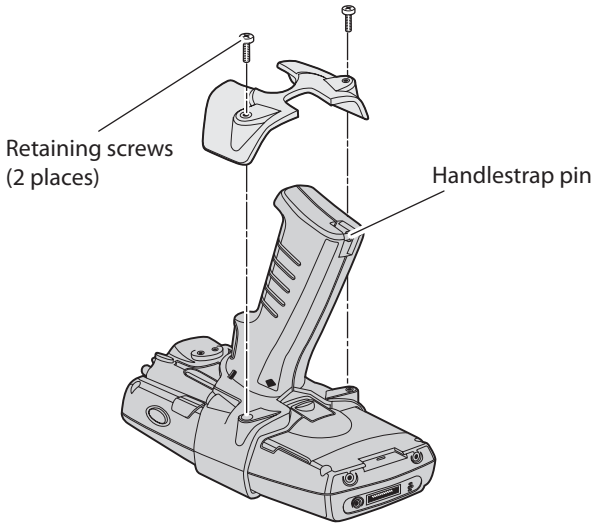
Description	Quantity
Dockable scan handle	1
Scan handle bracket	1
Retaining screws	2
<i>700 Series Color Mobile Computer Dockable Scan Handle Installation Instructions</i>	1

To attach the dockable scan handle

- 1 Remove the handstrap from the 700 Color.
- 2 Insert the 700 Color into the dockable scan handle by sliding the computer onto the scan handle bracket.



- 3 To attach the scan handle, turn the scan handle over, align the scan handle bracket over the screw holes, and secure it with two retaining screws provided.



- 4 (Optional) If you have a handlestrap, you can secure it to the handlestrap pin located on the end of the scan handle.



Worldwide Headquarters
6001 36th Avenue West
Everett, Washington 98203
U.S.A.

tel 425.348.2600

fax 425.355.9551

www.intermec.com

© 2007 Intermec Technologies
Corporation. All rights reserved.

700 Color Dockable Scan Handle Installation Instructions



P/N 943-143-001