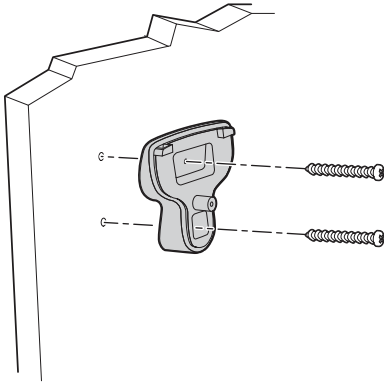


Wall Mount Stand Instructions

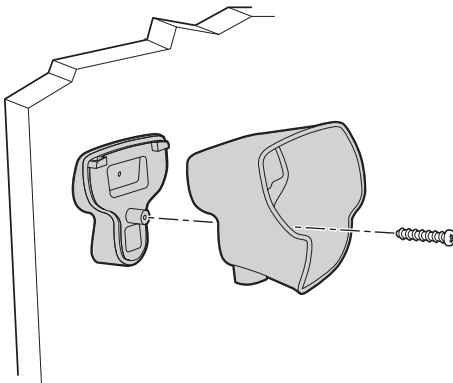
The SR30 wall mount stand (P/N 203-847-xxx) provides you with a convenient way to store the SR30 Handheld Scanner when you are not using it. The wall mount stand ships with everything you need to install the stand.

To install and use the wall mount stand

- 1 Attach the mounting plate to the wall with the two drywall screws that ship with the stand.



- 2 Attach the cup to the mounting plate with the screw that ships with the stand.



3 Insert the SR30 into the wall mount stand.



Worldwide Headquarters
6001 36th Avenue West
Everett, Washington 98203
U.S.A.

tel 425.348.2600

fax 425.355.9551

www.intermec.com

© 2007 Intermec Technologies
Corporation. All rights reserved.

SR30 Wall Mount Stand Instructions



P/N 943-139-001