

# Printer Belt Clip Instructions

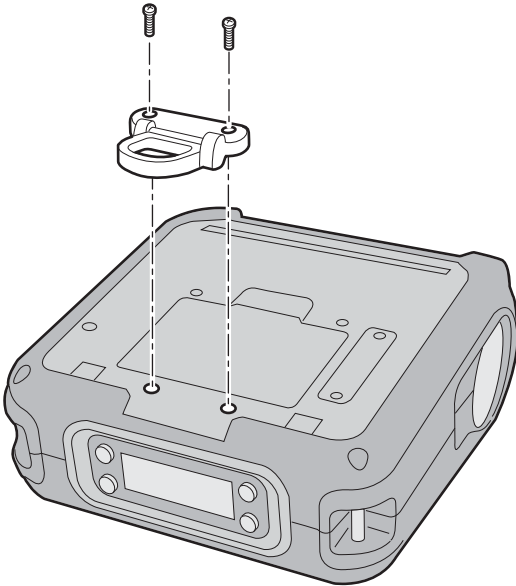


The printer belt clip (P/N 825-191-001) makes it easy for you to attach the PB50 or PB51 printer to your belt. The belt clip kit contains these parts:

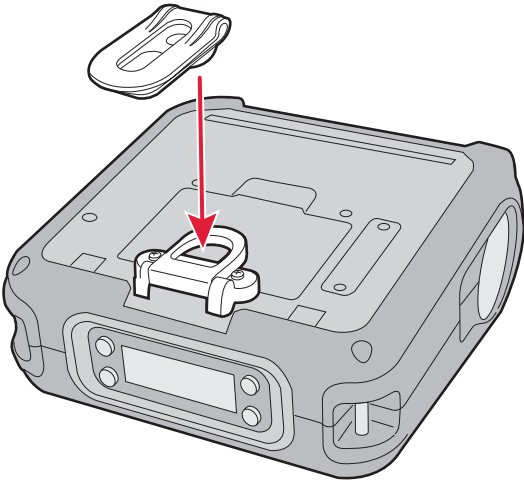
- Belt clip accessory
- Two Phillips screws
- This instruction sheet

## To install the belt clip

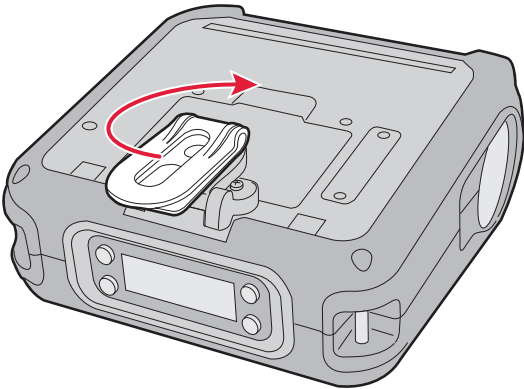
- 1 Attach the belt clip to the back of the PB50 or PB51 with the two Phillips screws.



**2** Insert the clip portion of the belt clip.

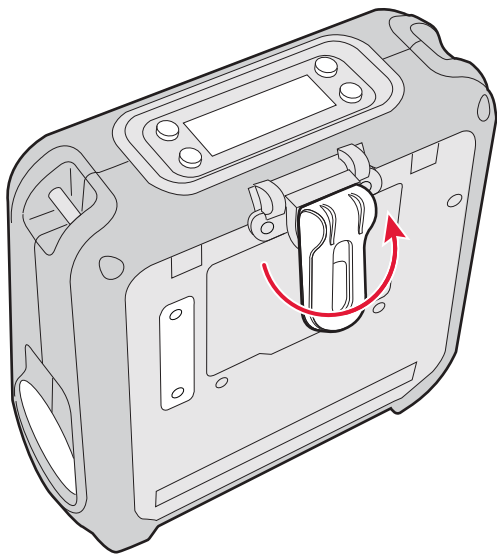


**3** Rotate the belt clip 180 degrees.

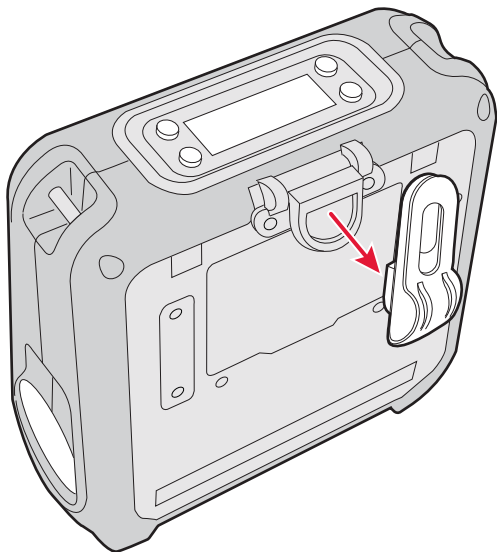


## To detach the belt clip from the printer

- 1 Rotate the belt clip 180 degrees.



- 2 Pull the belt clip away from the printer.



Printer Belt Clip Instructions



P/N 943-125-004



Worldwide Headquarters  
6001 36th Avenue West  
Everett, Washington 98203  
U.S.A.

tel 425.348.2600

fax 425.355.9551

[www.intermec.com](http://www.intermec.com)

© 2009 Intermec Technologies  
Corporation. All rights reserved.